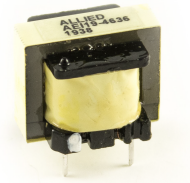




Laminated Transformer

AEI19-4636

- EI19 Core package
- Through hole design
- Operating Temperature Range: -20°C to 115°C



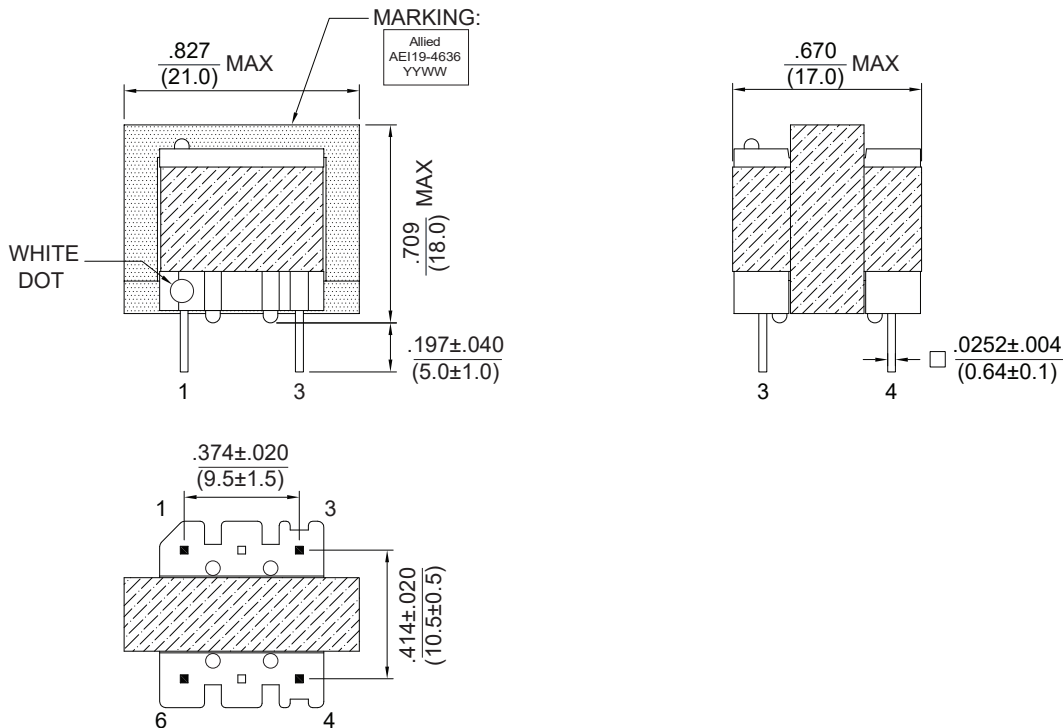
Electrical Specifications @ 25°C

Inductance 1KHz / 0.3V		Impedance @1KHz,0.3V	DCR ($\Omega \pm 10\%$)		Hi-Pot VAC @ 1mA/1SEC		Insulation Test DCV @ 500V		Turns Ratio
(1-3) : (4-6)	(1-6)	(1 - 3) : (4-6)	(1 - 3)	(4 - 6)	Pri - Sec	Pri - Core	Pri - Sec	Pri - Core	(1-3):(4-6)
300mH $\pm 10\%$	800mH MIN	2.3K $\Omega \pm 10\%$	47	68	1800	1800	100M Ω MIN		1 : 1

MECHANICAL

All specifications subject to change without notice.

Dimensions: $\frac{\text{inches}}{\text{(mm)}}$



SCHEMATICS

