

# ADS131M08 8-Channel, Simultaneously-Sampling, 24-Bit, Delta-Sigma ADC

## 1 Features

- 8 simultaneously sampling differential inputs
- Programmable data rate up to 32 kSPS
- Programmable gain up to 128
- Noise performance:
  - 102-dB dynamic range at gain = 1, 4 kSPS
  - 80-dB dynamic range at gain = 64, 4 kSPS
- Total harmonic distortion: –100 dB
- High-impedance inputs for direct sensor connection:
  - Input impedance 330-k $\Omega$  for gains of 1, 2, and 4
  - Input impedance  $\geq$  1-M $\Omega$  for gains of 8, 16, 32, 64, and 128
- Programmable channel-to-channel phase delay calibration:
  - 244-ns resolution, 8.192-MHz  $f_{CLKIN}$
- Current-detect mode allows for extremely low power tamper detection
- Fast startup: first data within 0.5 ms of supply ramp
- Integrated negative charge pump allows input signals below ground
- Crosstalk between channels: –120 dB
- Low-drift internal voltage reference
- Cyclic redundancy check (CRC) on communications and register map
- 2.7-V to 3.6-V analog and digital supplies
- Low power consumption: 6.0 mW at 3-V AVDD and DVDD
- Packages: 32-pin TQFP or 32-pin WQFN
- Operating temperature range: –40°C to +125°C

## 2 Applications

- [Electricity meters: commercial and residential](#)
- [Circuit breakers](#)
- [Protection relays](#)
- [Power quality meters](#)
- [Battery test equipment](#)
- [Battery management systems](#)

## 3 Description

The ADS131M08 is a eight-channel, simultaneously-sampling, 24-bit, delta-sigma ( $\Delta\Sigma$ ), analog-to-digital converter (ADC) that offers wide dynamic range, low power, and energy-measurement-specific features, making the device an excellent fit for energy metering, power metrology, and circuit breaker applications. The ADC inputs can be directly interfaced to a resistor-divider network or a power transformer to measure voltage or to a current transformer or a Rogowski coil to measure current.

The individual ADC channels can be independently configured depending on the sensor input. A low-noise, programmable gain amplifier (PGA) provides gains ranging from 1 to 128 to amplify low-level signals. Additionally, this device integrates channel-to-channel phase calibration and offset and gain calibration registers to help remove signal-chain errors.

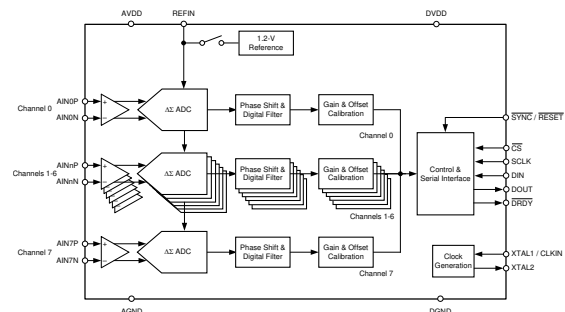
A low-drift, 1.2-V reference is integrated into the device reducing printed circuit board (PCB) area. Optional cyclic redundancy checks (CRCs) on the data input, data output, and register map maintain communication integrity.

The complete analog front-end (AFE) is offered in a 32-pin TQFP package or a leadless 32-pin WQFN package and is specified over the industrial temperature range of –40°C to +125°C.

### Device Information (1)

PART NUMBER	PACKAGE	BODY SIZE (NOM)
ADS131M08	TQFP (32)	5.00 mm $\times$ 5.00 mm
	WQFN (32)	4.00 mm $\times$ 4.00 mm

- (1) For all available packages, see the orderable addendum at the end of the data sheet.



**Simplified Block Diagram**



## Table of Contents

<b>1 Features</b> .....	1	8.5 Programming.....	37
<b>2 Applications</b> .....	1	8.6 Registers.....	47
<b>3 Description</b> .....	1	<b>9 Application and Implementation</b> .....	89
<b>4 Revision History</b> .....	2	9.1 Application Information.....	89
<b>5 Pin Configuration and Functions</b> .....	4	9.2 Typical Application.....	96
<b>6 Specifications</b> .....	6	<b>10 Power Supply Recommendations</b> .....	103
6.1 Absolute Maximum Ratings .....	6	10.1 CAP Pin Behavior.....	103
6.2 ESD Ratings .....	6	10.2 Power-Supply Sequencing.....	103
6.3 Recommended Operating Conditions .....	7	10.3 Power-Supply Decoupling.....	103
6.4 Thermal Information .....	7	<b>11 Layout</b> .....	104
6.5 Electrical Characteristics .....	8	11.1 Layout Guidelines.....	104
6.6 Timing Requirements .....	10	11.2 Layout Example.....	105
6.7 Switching Characteristics .....	10	<b>12 Device and Documentation Support</b> .....	106
6.8 Timing Diagrams.....	11	12.1 Documentation Support.....	106
6.9 Typical Characteristics.....	13	12.2 Receiving Notification of Documentation Updates.....	106
<b>7 Parameter Measurement Information</b> .....	18	12.3 Support Resources.....	106
7.1 Noise Measurements.....	18	12.4 Trademarks.....	106
<b>8 Detailed Description</b> .....	19	12.5 Electrostatic Discharge Caution.....	106
8.1 Overview.....	19	12.6 Glossary.....	106
8.2 Functional Block Diagram.....	19	<b>13 Mechanical, Packaging, and Orderable Information</b> .....	106
8.3 Feature Description.....	20		
8.4 Device Functional Modes.....	31		

## 4 Revision History

NOTE: Page numbers for previous revisions may differ from page numbers in the current version.

Changes from Revision A (December 2019) to Revision B (February 2021)	Page
• Updated the numbering format for tables, figures, and cross-references throughout the document .....	1
• Added gain of 128 to <i>High impedance inputs</i> bullet.....	1
• Added <i>Protection relays</i> and <i>Power quality meters</i> to <i>Applications</i> section.....	1
• Changed <i>Applications</i> section .....	1
• Changed WQFN package from preview to active .....	1
• Removed capacitor recommendation for REFIN pin in <i>Pin Functions</i> table .....	4
• Corrected analog input pin numbering in <i>Pin Functions</i> table .....	4
• Added thermal pad to pinout diagram .....	4
• Added Differential input voltage range using external reference.....	7
• Added long-term reference and gain error drift in WQFN package in <i>Electrical Characteristics</i> table.....	8
• Changed $t_{su(SY)}$ parameter description in <i>Timing Requirements</i> table.....	10
• Changed <i>SPI Timing Diagram</i> and <i>SYNC/RESET Timing Requirements</i> figures.....	11
• Added typical characteristics plots.....	13
• Removed recommendation for decoupling capacitor when using internal reference.....	21
• Changed <i>Clocking and Power Modes</i> section.....	22
• Changed description of modulator frequency and added $f_{MOD}$ equation in $\Delta\Sigma$ <i>Modulator</i> section.....	22
• Changed <i>Digital Filter</i> section.....	22
• Changed <i>Digital Filter Implementation</i> title and section .....	23
• Updated description of the test signal derived from the internal reference.....	26
• Updated description of the test signal derived from the internal reference.....	26
• Changed communication cyclic redundancy check (CRC) seed value.....	29
• Added $\overline{DRDY}$ transitions in <i>Power-Up and Reset</i> section.....	31

• Moved <i>Fast Startup Behavior</i> section to <i>Device Functional Modes</i> section, and changed values for wait time delays in text and figures.....	32
• Added global-chop mode block diagram, global-chop mode conversion timing diagram, and <a href="#">Equation 9</a> .....	33
• Changed <i>Standby Mode</i> section .....	34
• Deleted comments about MOSI, MISO, slave, and master.....	37
• Added description for new conversions when reading data in the <i>Data Ready (<math>\overline{DRDY}</math>)</i> section.....	37
• Added second paragraph to <i>SPI Communication Frames</i> section .....	38
• Changed <i>Register Map</i> table.....	47
• Changed description sentence for each register section.....	47
• Added pullup resistor option for $\overline{DRDY}$ in the <i>Unused Inputs and Outputs</i> section.....	89
• Changed root cause description in <i>Troubleshooting</i> section .....	95
• Added reference to TIDA-010037 design guide in <i>Typical Application</i> section.....	96
• Changed discussion of burden resistor in <i>Current Measurement Front-End</i> section .....	98
• Added <i>ADC energy metrology library</i> software to <i>Related Documents</i> .....	106

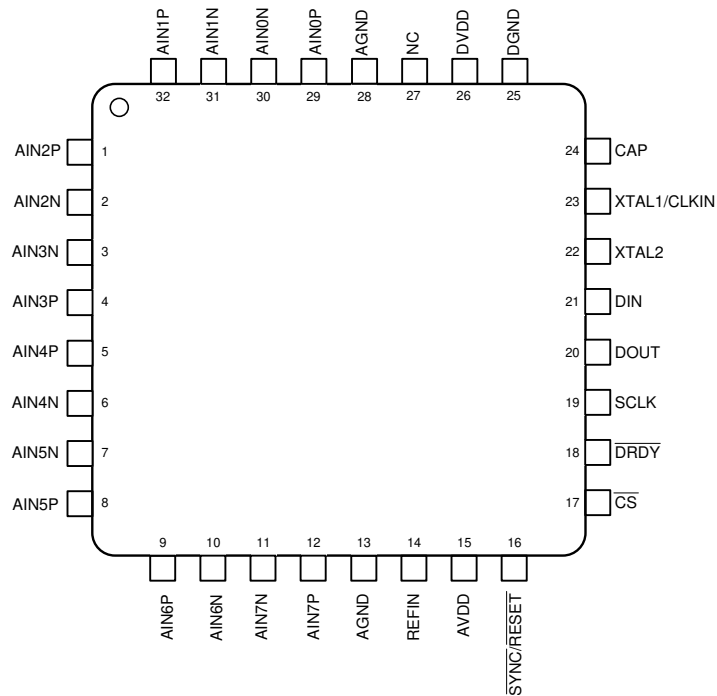
---

**Changes from Revision \* (October 2019) to Revision A (December 2019)**
**Page**

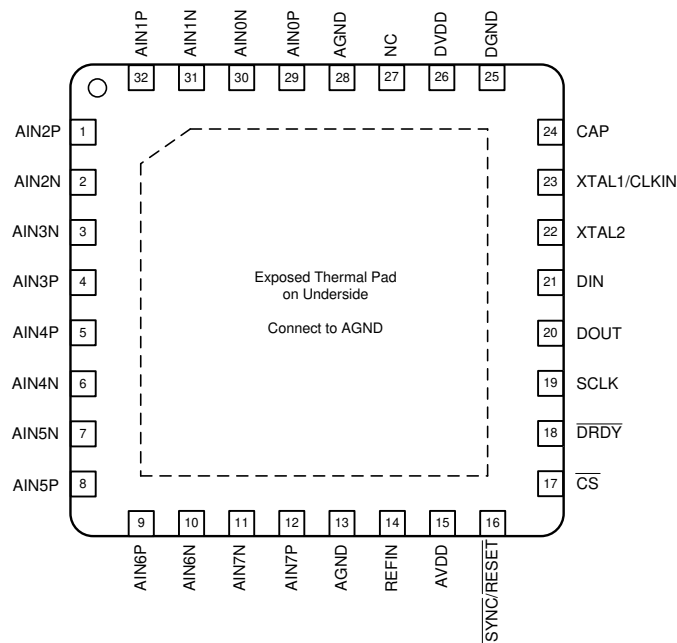
• Changed document status from advance information to production data .....	1
---	---

---

## 5 Pin Configuration and Functions



**Figure 5-1. PBS Package, 32-Pin TQFP, Top View**



**Figure 5-2. RSN Package, 32-Pin WQFN, Top View**

**Table 5-1. Pin Functions**

NAME	PIN NO.		I/O	DESCRIPTION <sup>(1)</sup>
	WQFN	TQFP		
	AGND	13, 28		
AIN0N	30	30	Analog input	Negative analog input 0
AIN0P	29	29	Analog input	Positive analog input 0
AIN1N	31	31	Analog input	Negative analog input 1
AIN1P	32	32	Analog input	Positive analog input 1
AIN2N	2	2	Analog input	Negative analog input 2
AIN2P	1	1	Analog input	Positive analog input 2
AIN3N	3	3	Analog input	Negative analog input 3
AIN3P	4	4	Analog input	Positive analog input 3
AIN4N	6	6	Analog input	Negative analog input 4
AIN4P	5	5	Analog input	Positive analog input 4
AIN5N	7	7	Analog input	Negative analog input 5
AIN5P	8	8	Analog input	Positive analog input 5
AIN6N	10	10	Analog input	Negative analog input 6
AIN6P	9	9	Analog input	Positive analog input 6
AIN7N	11	11	Analog input	Negative analog input 7
AIN7P	12	12	Analog input	Positive analog input 7
AVDD	15	15	Supply	Analog supply. Connect a 1- $\mu$ F capacitor to AGND.
CAP	24	24	Analog output	Digital low-dropout (LDO) regulator output. Connect a 220-nF capacitor to DGND.
CS	17	17	Digital input	Chip select; active low
DGND	25	25	Supply	Digital ground
DIN	21	21	Digital input	Serial data input
DOUT	20	20	Digital output	Serial data output
$\overline{\text{DRDY}}$	18	18	Digital output	Data ready; active low
DVDD	26	26	Supply	Digital I/O supply. Connect a 1- $\mu$ F capacitor to DGND.
NC	27	27	—	Leave unconnected or connect to AGND
REFIN	14	14	Analog input	External reference voltage input. <sup>(2)</sup>
SCLK	19	19	Digital input	Serial data clock
SYNC/RESET	16	16	Digital input	Conversion synchronization or system reset; active low
XTAL1/CLKIN	23	23	Digital input	Master clock input, or crystal oscillator input
XTAL2	22	22	Digital output	Crystal oscillator excitation <sup>(3)</sup>
Thermal pad	—	—	—	Thermal pad; connect to AGND

- (1) See the [Unused Inputs and Outputs](#) section for details on how to connect unused pins.
- (2) Do not place any capacitance on REFIN if the current-detect mode is used.
- (3) See the [Clocking and Power Modes](#) section for more information regarding synchronization and how to implement the clocking scheme for optimized device performance.

## 6 Specifications

### 6.1 Absolute Maximum Ratings

See (1)

		MIN	MAX	UNIT
Power-supply voltage	AVDD to AGND	-0.3	3.9	V
	AGND to DGND	-0.3	0.3	
	DVDD to DGND	-0.3	3.9	
	DVDD to DGND, CAP tied to DVDD	-0.3	2.2	
	CAP to DGND	-0.3	2.2	
Analog input voltage	AInxP, AInxN	AGND - 1.6	AVDD + 0.3	V
Reference input voltage	REFIN	AGND - 0.3	AVDD + 0.3	V
Digital input voltage	$\overline{CS}$ , XTAL1/CLKIN, DIN, SCLK, SYNC/RESET, XTAL2	DGND - 0.3	DVDD + 0.3	V
Input current	Continuous, all pins except power-supply pins	-10	10	mA
Temperature	Junction, $T_J$		150	°C
	Storage, $T_{stg}$	-60	150	

- (1) Operation outside the *Absolute Maximum Ratings* may cause permanent device damage. *Absolute Maximum Ratings* do not imply functional operation of the device at these or any other conditions beyond those listed under *Recommended Operating Conditions*. If used outside the *Recommended Operating Conditions* but within the *Absolute Maximum Ratings*, the device may not be fully functional, and this may affect device reliability, functionality, performance, and shorten the device lifetime.

### 6.2 ESD Ratings

			VALUE	UNIT
$V_{(ESD)}$	Electrostatic discharge	Human body model (HBM), per ANSI/ESDA/JEDEC JS-001(1)	±2000	V
		Charged device model (CDM), per JEDEC specification JESD22-C101(2)	±500	

- (1) JEDEC document JEP155 states that 500-V HBM allows safe manufacturing with a standard ESD control process.  
 (2) JEDEC document JEP157 states that 250-V CDM allows safe manufacturing with a standard ESD control process.

## 6.3 Recommended Operating Conditions

over operating ambient temperature range (unless otherwise noted)

			MIN	NOM	MAX	UNIT
<b>POWER SUPPLY</b>						
	Analog power supply	AVDD to AGND, normal operating modes	2.7	3.0	3.6	V
		AVDD to AGND, standby and current-detect modes	2.4	3.0	3.6	
		AGND to DGND	-0.3	0	0.3	
	Digital power supply	DVDD to DGND	2.7	3.0	3.6	V
		DVDD to DGND, DVDD shorted to CAP (digital LDO bypassed)	1.65	1.8	2	
<b>ANALOG INPUTS<sup>(1)</sup></b>						
V <sub>AINxP</sub> , V <sub>AINxN</sub>	Absolute input voltage	Gain = 1, 2, or 4	AGND – 1.3		AVDD	V
		Gains = 8, 16, 32, 64 or 128	AGND – 1.3		AVDD – 1.8	
V <sub>IN</sub>	Differential input voltage	Using internal reference, V <sub>IN</sub> = V <sub>AINxP</sub> - V <sub>AINxN</sub>	-V <sub>REF</sub> / Gain		V <sub>REF</sub> / Gain	V
		Using external reference, V <sub>IN</sub> = V <sub>AINxP</sub> - V <sub>AINxN</sub>	-0.96 × V <sub>REF</sub> / Gain		0.96 × V <sub>REF</sub> / Gain	
<b>VOLTAGE REFERENCE INPUT</b>						
V <sub>REFIN</sub>	Reference input voltage		1.1	1.25	1.3	V
<b>EXTERNAL CLOCK SOURCE</b>						
f <sub>CLKIN</sub>	External clock frequency	High-resolution mode, Gain = 1 or 2	0.3	8.192	8.4	MHz
		High-resolution mode, Gain > 2	0.3	8.192	8.2	
		Low-power mode	0.3	4.096	4.15	
		Very-low-power mode	0.3	2.048	2.08	
	Duty cycle		40	50	60	%
<b>DIGITAL INPUTS</b>						
	Input voltage		DGND		DVDD	V
<b>TEMPERATURE RANGE</b>						
T <sub>A</sub>	Operating ambient temperature		-40		125	°C

(1) The subscript "x" signifies the channel. For example, the positive analog input to channel 0 is named AIN0P. See the *Pin Configurations and Functions* section for the pin names.

## 6.4 Thermal Information

THERMAL METRIC <sup>(1)</sup>		ADS131M08		UNIT
		RSN (WQFN)	PBS (TQFP)	
		32 PINS	32 PINS	
R <sub>θJA</sub>	Junction-to-ambient thermal resistance	33.7	81.9	°C/W
R <sub>θJC(top)</sub>	Junction-to-case (top) thermal resistance	26.5	26.0	°C/W
R <sub>θJB</sub>	Junction-to-board thermal resistance	13.4	32.7	°C/W
Ψ <sub>JT</sub>	Junction-to-top characterization parameter	0.3	1.1	°C/W
Ψ <sub>JB</sub>	Junction-to-board characterization parameter	13.4	32.5	°C/W
R <sub>θJC(bot)</sub>	Junction-to-case (bottom) thermal resistance	4.1	N/A	°C/W

(1) For more information about traditional and new thermal metrics, see the [Semiconductor and IC Package Thermal Metrics](#) application report.

## 6.5 Electrical Characteristics

minimum and maximum specifications apply from  $T_A = -40^{\circ}\text{C}$  to  $+125^{\circ}\text{C}$ ; typical specifications are at  $T_A = 25^{\circ}\text{C}$ ; all specifications are at  $\text{AVDD} = 3\text{ V}$ ,  $\text{DVDD} = 3\text{ V}$ ,  $f_{\text{CLKIN}} = 8.192\text{ MHz}$ , data rate = 4 kSPS, gain = 1, all channels enabled, global-chop mode disabled, using internal reference with 100-nF tied to REF<sub>IN</sub> pin, and internal oscillator disabled (unless otherwise noted).

PARAMETER		TEST CONDITIONS	MIN	TYP	MAX	UNIT
<b>ANALOG INPUTS</b>						
$Z_{\text{in}}$	Differential input impedance	Gain = 1, 2, or 4		330		k $\Omega$
$I_b$	Input bias current	Gain = 8, 16, 32, 64, or 128, inputs shorted to ground		$\pm 1$		$\mu\text{A/V}$
<b>ADC CHARACTERISTICS</b>						
	Resolution		24			Bits
	Gain settings		1, 2, 4, 8, 16, 32, 64, 128			
$f_{\text{DATA}}$	Data rate	High-resolution mode, $f_{\text{CLKIN}} = 8.192\text{ MHz}$	250		32k	SPS
		Low-power mode, $f_{\text{CLKIN}} = 4.096\text{ MHz}$	125		16k	
		Very low-power mode, $f_{\text{CLKIN}} = 2.048\text{ MHz}$	62.5		8k	
	Startup time	Measured from supplies at 90% to first $\overline{\text{DRDY}}$ falling edge		0.5		ms
<b>ADC PERFORMANCE</b>						
INL	Integral nonlinearity (best fit)			7.5		ppm of FSR
	Offset error (input referred)			$\pm 240$		$\mu\text{V}$
		Global-chop mode		$\pm 32$		
	Offset drift			215		nV/ $^{\circ}\text{C}$
		Global-chop mode		105		
	Gain error			$\pm 0.3\%$		
	Gain drift	Excluding voltage reference error, gain = 1		5		ppm/ $^{\circ}\text{C}$
		Including internal voltage reference error, gain = 1		10	20	
		Including internal voltage reference error, gain = 32		15		
	Long-term gain drift	1000 hours at $85^{\circ}\text{C}$ , including internal voltage reference error, TQFP package		385		ppm
		1000 hours at $85^{\circ}\text{C}$ , including internal voltage reference error, WQFN package		90		
CMRR	Common-mode rejection ratio	At dc		100		dB
		$f_{\text{CM}} = 50\text{ Hz}$ or $60\text{ Hz}$		94		
PSRR	Power-supply rejection ratio	AVDD at DC		80		dB
		DVDD at DC		100		
		AVDD supply, $f_{\text{PS}} = 50\text{ Hz}$ or $60\text{ Hz}$		78		
		DVDD supply, $f_{\text{PS}} = 50\text{ Hz}$ or $60\text{ Hz}$		90		
	Input referred noise			5.4		$\mu\text{V}_{\text{RMS}}$
		During fast startup		1500		
	Dynamic range	Gain = 1	99	102		dB
		Gain = 64		80		
		All other gain settings		See <a href="#">Table 7-1</a>		
	Crosstalk	$f_{\text{IN}} = 50\text{ Hz}$ or $60\text{ Hz}$		-120		dB



## 6.5 Electrical Characteristics (continued)

minimum and maximum specifications apply from  $T_A = -40^\circ\text{C}$  to  $+125^\circ\text{C}$ ; typical specifications are at  $T_A = 25^\circ\text{C}$ ; all specifications are at  $AVDD = 3\text{ V}$ ,  $DVDD = 3\text{ V}$ ,  $f_{\text{CLKIN}} = 8.192\text{ MHz}$ , data rate = 4 kSPS, gain = 1, all channels enabled, global-chop mode disabled, using internal reference with 100-nF tied to REFIN pin, and internal oscillator disabled (unless otherwise noted).

PARAMETER		TEST CONDITIONS	MIN	TYP	MAX	UNIT
SNR	Signal-to-noise ratio	$f_{\text{IN}} = 50\text{ Hz or }60\text{ Hz, gain} = 1,$ $V_{\text{IN}} = -0.5\text{ dBFS, normalized}$		101		dB
		$f_{\text{IN}} = 50\text{ Hz or }60\text{ Hz, gain} = 64,$ $V_{\text{IN}} = -0.5\text{ dBFS, normalized}$		80		
THD	Total harmonic distortion	$f_{\text{IN}} = 50\text{ Hz or }60\text{ Hz (up to 50 harmonics),}$ $V_{\text{IN}} = -0.5\text{ dBFS}$		-100		dB
SFDR	Spurious-free dynamic range	$f_{\text{IN}} = 50\text{ Hz or }60\text{ Hz (up to 50 harmonics),}$ $V_{\text{IN}} = -0.5\text{ dBFS}$		103		dB
<b>INTERNAL VOLTAGE REFERENCE</b>						
$V_{\text{REF}}$	Internal reference voltage			1.2		V
	Accuracy	$T_A = 25^\circ\text{C}$		$\pm 0.1\%$		
	Temperature drift			8	20	ppm/ $^\circ\text{C}$
	Long-term reference drift	1000 hours at $85^\circ\text{C}$ , TQFP package		340		ppm
		1000 hours at $85^\circ\text{C}$ , WQFN package		70		
<b>DIGITAL INPUTS/OUTPUTS</b>						
$V_{\text{IL}}$	Logic input level, low		DGND		0.2 DVDD	V
$V_{\text{IH}}$	Logic input level, high		0.8 DVDD		DVDD	V
$V_{\text{OL}}$	Logic output level, low	$I_{\text{OL}} = -1\text{ mA}$			0.2 DVDD	V
$V_{\text{OH}}$	Logic output level, high	$I_{\text{OH}} = 1\text{ mA}$	0.8 DVDD			V
$I_{\text{IN}}$	Input current	$\text{DGND} < V_{\text{Digital Input}} < \text{DVDD}$	-1		1	$\mu\text{A}$
<b>POWER SUPPLY</b>						
$I_{\text{AVDD}}$	Analog supply current	High-resolution mode		6.5	7.7	mA
		Low-power mode		3.4	4.1	
		Very low-power mode		1.9	2.3	
		Current-detect mode		1.8		
		Standby mode		0.35		$\mu\text{A}$
$I_{\text{DVDD}}$	Digital supply current <sup>(1)</sup>	High-resolution mode		0.66	0.9	mA
		Low-power mode		0.35	0.47	
		Very low-power mode		0.18	0.3	
		Current-detect mode		0.115		
		Standby mode		1.1		$\mu\text{A}$
$P_{\text{D}}$	Power dissipation	High-resolution mode		21.5		mW
		Low-power mode		11.3		
		Very low-power mode		6.2		
		Current-detect mode		5.8		
		Standby mode		4.4		$\mu\text{W}$

(1) Currents measured with SPI idle and oscillator disabled.

## 6.6 Timing Requirements

over operating ambient temperature range, DOUT load: 20 pF || 100 kΩ (unless otherwise noted)

		MIN	NOM	MAX	UNIT <sup>(1)</sup>
<b>1.65 V ≤ DVDD ≤ 2.0 V</b>					
t <sub>w</sub> (CLL)	Pulse duration, CLKIN low	49			ns
t <sub>w</sub> (CLH)	Pulse duration, CLKIN high	49			ns
t <sub>c</sub> (SC)	SCLK period	64			ns
t <sub>w</sub> (SCL)	Pulse duration, SCLK low	32			ns
t <sub>w</sub> (SCH)	Pulse duration, SCLK high	32			ns
t <sub>d</sub> (CSSC)	Delay time, first SCLK rising edge after $\overline{CS}$ falling edge	16			ns
t <sub>d</sub> (SCCS)	Delay time, $\overline{CS}$ rising edge after final SCLK falling edge	10			ns
t <sub>w</sub> (CSH)	Pulse duration, $\overline{CS}$ high	20			ns
t <sub>su</sub> (DI)	Setup time, DIN valid before SCLK falling edge	5			ns
t <sub>h</sub> (DI)	Hold time, DIN valid after SCLK falling edge	10			ns
t <sub>w</sub> (RSL)	Pulse duration, $\overline{SYNC/RESET}$ low to generate device reset	2048			t <sub>CLKIN</sub>
t <sub>w</sub> (SYL)	Pulse duration, $\overline{SYNC/RESET}$ low for synchronization	1		2047	t <sub>CLKIN</sub>
t <sub>su</sub> (SY)	Setup time, $\overline{SYNC/RESET}$ valid before CLKIN rising edge	10			ns
<b>2.7 V ≤ DVDD ≤ 3.6 V</b>					
t <sub>w</sub> (CLL)	Pulse duration, CLKIN low	49			ns
t <sub>w</sub> (CLH)	Pulse duration, CLKIN high	49			ns
t <sub>c</sub> (SC)	SCLK period	40			ns
t <sub>w</sub> (SCL)	Pulse duration, SCLK low	20			ns
t <sub>w</sub> (SCH)	Pulse duration, SCLK high	20			ns
t <sub>d</sub> (CSSC)	Delay time, first SCLK rising edge after $\overline{CS}$ falling edge	16			ns
t <sub>d</sub> (SCCS)	Delay time, $\overline{CS}$ rising edge after final SCLK falling edge	10			ns
t <sub>w</sub> (CSH)	Pulse duration, $\overline{CS}$ high	15			ns
t <sub>su</sub> (DI)	Setup time, DIN valid before SCLK falling edge	5			ns
t <sub>h</sub> (DI)	Hold time, DIN valid after SCLK falling edge	10			ns
t <sub>w</sub> (RSL)	Pulse duration, $\overline{SYNC/RESET}$ low to generate device reset	2048			t <sub>CLKIN</sub>
t <sub>w</sub> (SYL)	Pulse duration, $\overline{SYNC/RESET}$ low for synchronization	1		2047	t <sub>CLKIN</sub>
t <sub>su</sub> (SY)	Setup time, $\overline{SYNC/RESET}$ valid before CLKIN rising edge	10			ns

(1) t<sub>CLKIN</sub> = 1/f<sub>CLKIN</sub>

## 6.7 Switching Characteristics

over operating ambient temperature range, DOUT load: 20 pF || 100 kΩ (unless otherwise noted)

PARAMETER	TEST CONDITIONS	MIN	TYP	MAX	UNIT <sup>(1)</sup>
<b>1.65 V ≤ DVDD ≤ 2.0 V</b>					
t <sub>p</sub> (CSDO)	Propagation delay time, $\overline{CS}$ falling edge to DOUT driven			50	ns
t <sub>p</sub> (SCDO)	Propagation delay time, SCLK rising edge to valid new DOUT			32	ns
t <sub>p</sub> (CSDOZ)	Propagation delay time, $\overline{CS}$ rising edge to DOUT high impedance			75	ns
t <sub>w</sub> (DRH)	Pulse duration, $\overline{DRDY}$ high		4		t <sub>CLKIN</sub>
t <sub>w</sub> (DRL)	Pulse duration, $\overline{DRDY}$ low		4		t <sub>CLKIN</sub>
	SPI timeout	32768			t <sub>CLKIN</sub>
t <sub>POR</sub>	Power-on-reset time	Measured from supplies at 90% to first DRDY rising edge		250	μs

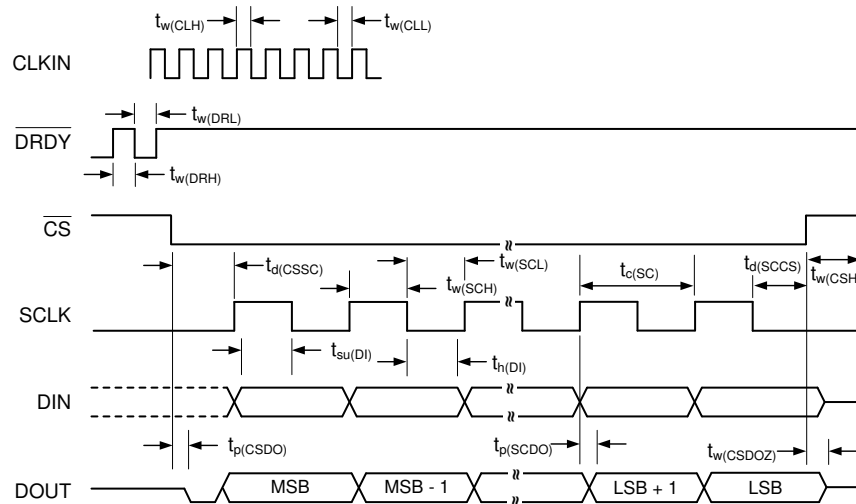
## 6.7 Switching Characteristics (continued)

over operating ambient temperature range, DOUT load: 20 pF || 100 kΩ (unless otherwise noted)

PARAMETER		TEST CONDITIONS	MIN	TYP	MAX	UNIT <sup>(1)</sup>
$t_{REGACQ}$	Register default acquisition time			5		μs
<b>2.7 V ≤ DVDD ≤ 3.6 V</b>						
$t_{p(CSDO)}$	Propagation delay time, $\overline{CS}$ falling edge to DOUT driven				50	ns
$t_{p(SCDO)}$	Propagation delay time, SCLK rising edge to valid new DOUT				20	ns
$t_{p(CSDOZ)}$	Propagation delay time, $\overline{CS}$ rising edge to DOUT high impedance				75	ns
$t_{w(DRH)}$	Pulse duration, $\overline{DRDY}$ high			4		$t_{CLKIN}$
$t_{w(DRL)}$	Pulse duration, $\overline{DRDY}$ low			4		$t_{CLKIN}$
	SPI timeout		32768			$t_{CLKIN}$
$t_{POR}$	Power-on-reset time	Measured from supplies at 90% to first $\overline{DRDY}$ rising edge		250		μs
$t_{REGACQ}$	Register default acquisition time			5		μs

(1)  $t_{CLKIN} = 1/f_{CLKIN}$

## 6.8 Timing Diagrams



SPI settings are CPOL = 0 and CPHA = 1.  $\overline{CS}$  transitions must take place when SCLK is low.

Figure 6-1. SPI Timing Diagram

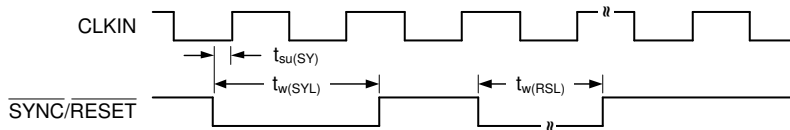


Figure 6-2. SYNC/RESET Timing Requirements

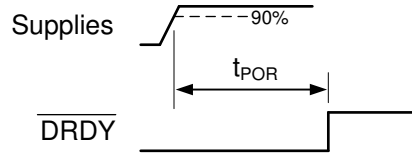
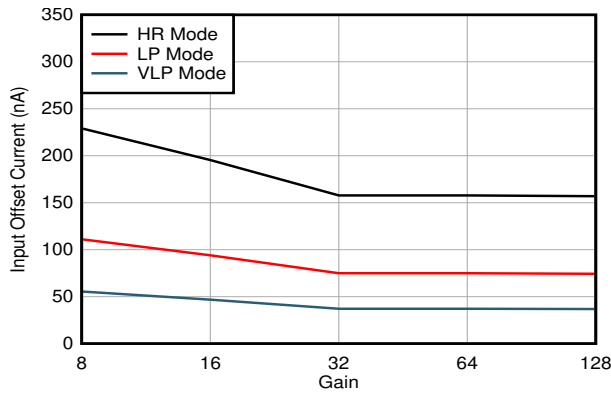


Figure 6-3. Power-On-Reset Timing

### 6.9 Typical Characteristics

at  $T_A = 25^\circ\text{C}$ ,  $AVDD = 3\text{ V}$ ,  $DVDD = 3\text{ V}$ ,  $f_{\text{CLKIN}} = 8.192\text{ MHz}$ , data rate = 4 kSPS, gain = 1 with global-chop mode disabled, using internal reference with 100-nF tied to REFIN pin, and internal oscillator disabled (unless otherwise noted)



Gains of 8, 16, 32, 64, and 128 only

Figure 6-4. Input Offset Current vs Gain

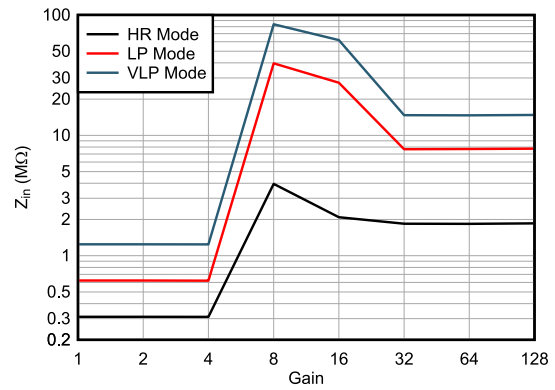


Figure 6-5. Input Impedance vs Gain

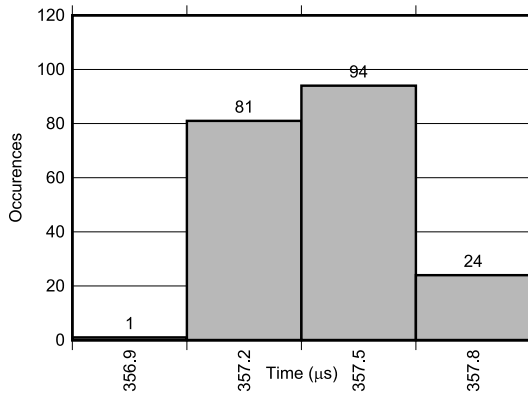
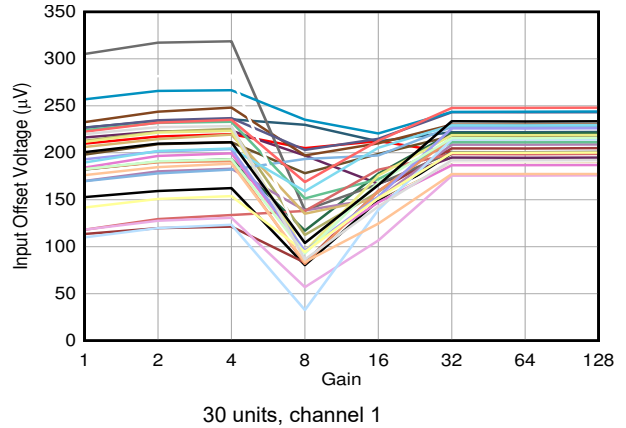


Figure 6-6. Startup Time Histogram



30 units, channel 1

Figure 6-7. Input Offset Voltage vs Gain

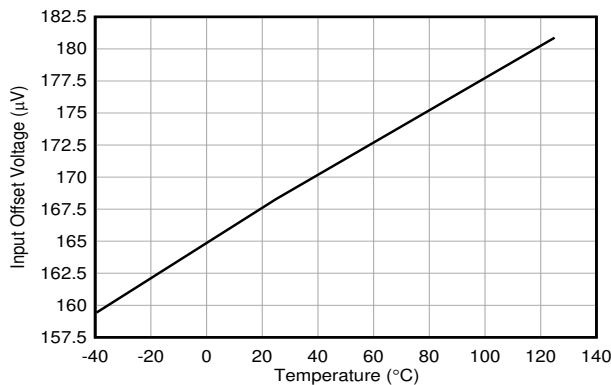
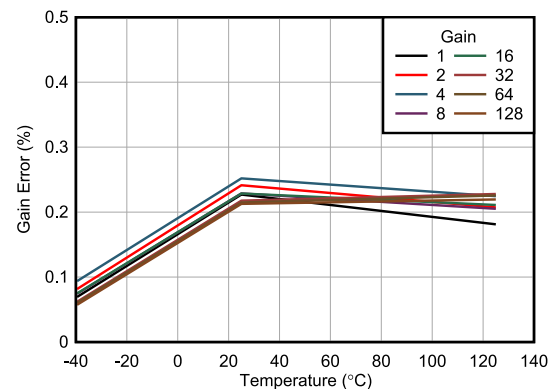


Figure 6-8. Input Offset Voltage vs Temperature

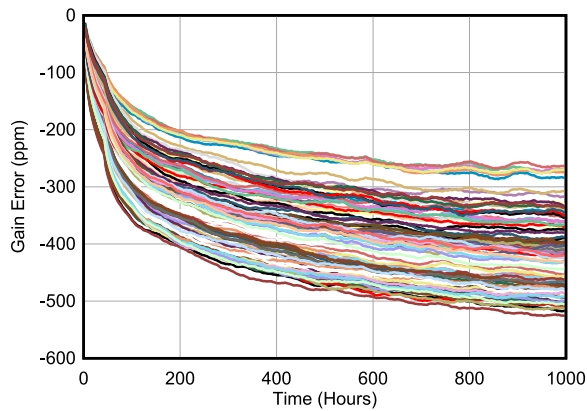


Includes internal reference error

Figure 6-9. Gain Error vs Temperature

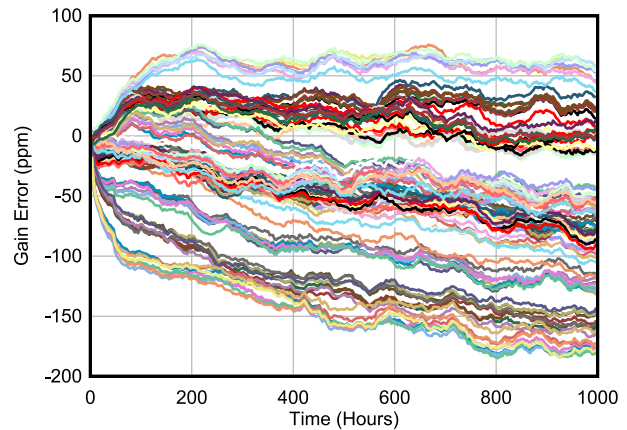
### 6.9 Typical Characteristics (continued)

at  $T_A = 25^\circ\text{C}$ ,  $AVDD = 3\text{ V}$ ,  $DVDD = 3\text{ V}$ ,  $f_{\text{CLKIN}} = 8.192\text{ MHz}$ , data rate = 4 kSPS, gain = 1 with global-chop mode disabled, using internal reference with 100-nF tied to REFIN pin, and internal oscillator disabled (unless otherwise noted)



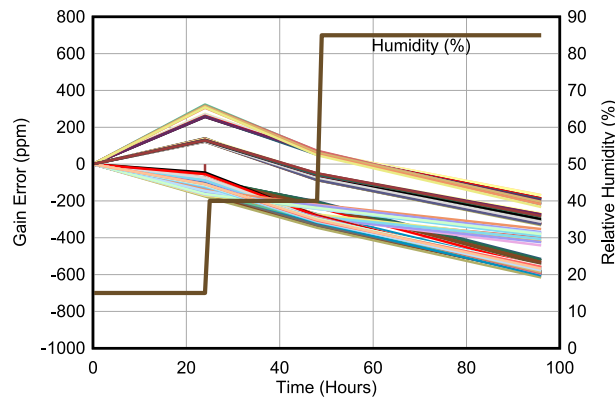
12 units, all channels

**Figure 6-10. Long-Term Gain Drift (TQFP Package)**



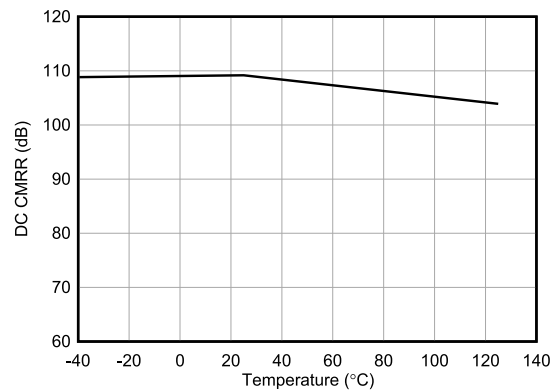
12 units, all channels

**Figure 6-11. Long-Term Gain Drift (WQFN Package)**

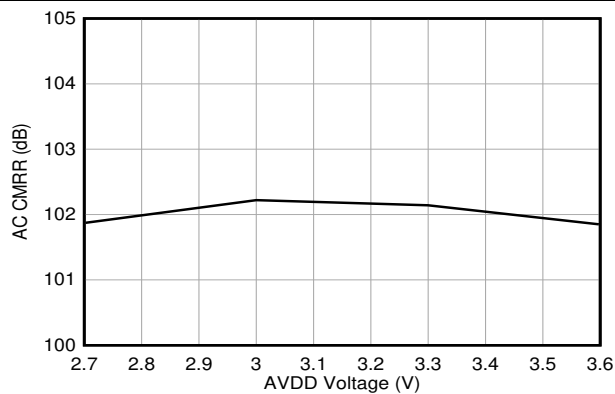


12 units, all channels

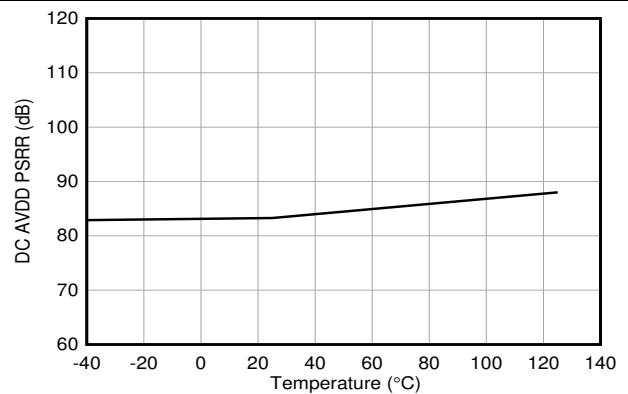
**Figure 6-12. Gain Error vs Humidity**



**Figure 6-13. DC CMRR vs Temperature**



**Figure 6-14. AC CMRR vs AVDD**



**Figure 6-15. DC AVDD PSRR vs Temperature**

### 6.9 Typical Characteristics (continued)

at  $T_A = 25^\circ\text{C}$ ,  $AVDD = 3\text{ V}$ ,  $DVDD = 3\text{ V}$ ,  $f_{\text{CLKIN}} = 8.192\text{ MHz}$ , data rate = 4 kSPS, gain = 1 with global-chop mode disabled, using internal reference with 100-nF tied to REFIN pin, and internal oscillator disabled (unless otherwise noted)

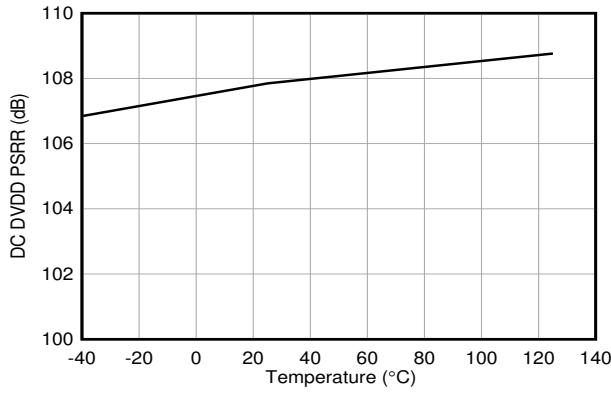


Figure 6-16. DC DVDD PSRR vs Temperature

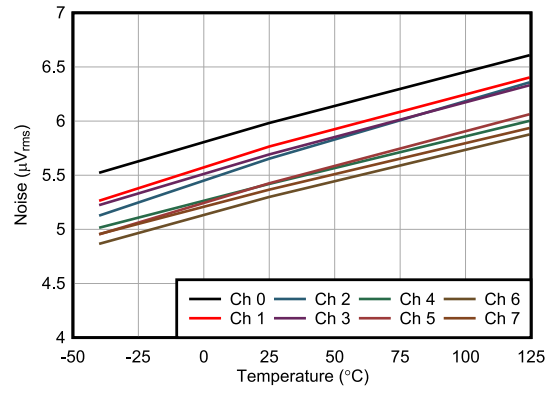
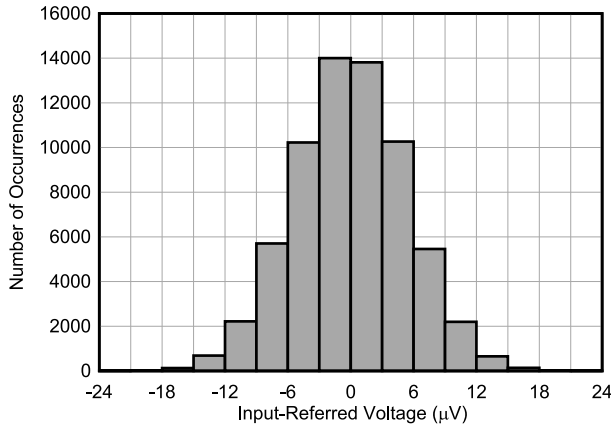
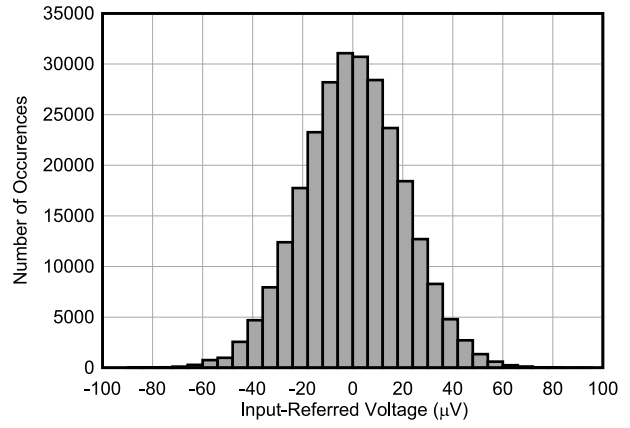


Figure 6-17. Noise vs Temperature



Gain = 1, inputs shorted

Figure 6-18. Single Device Noise Histogram at 4 kSPS



Gain = 1, inputs shorted

Figure 6-19. Single Device Noise Histogram at 32 kSPS

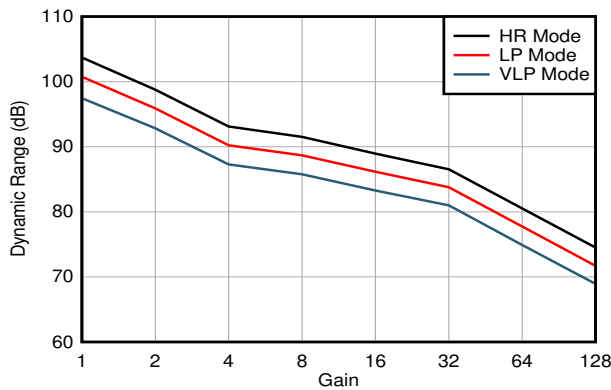


Figure 6-20. Dynamic Range vs Gain Across Power Modes

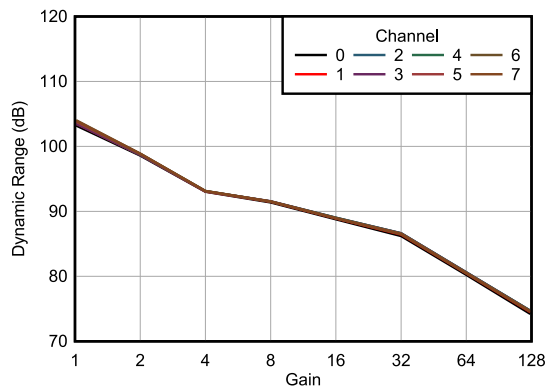
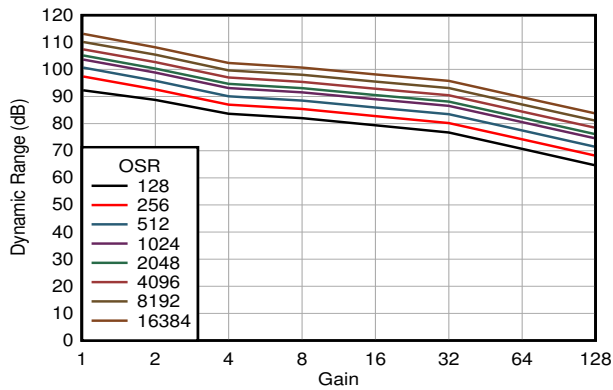


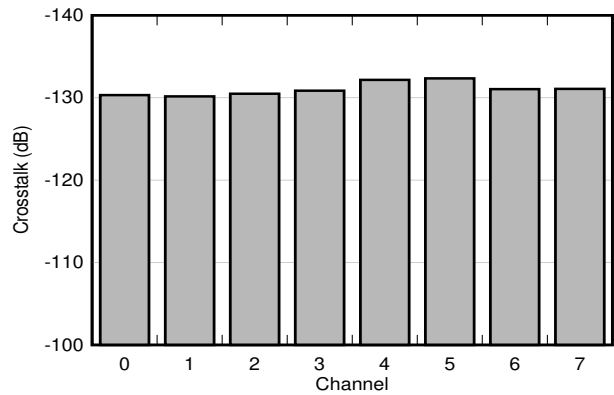
Figure 6-21. Dynamic Range vs Gain Across Channels

### 6.9 Typical Characteristics (continued)

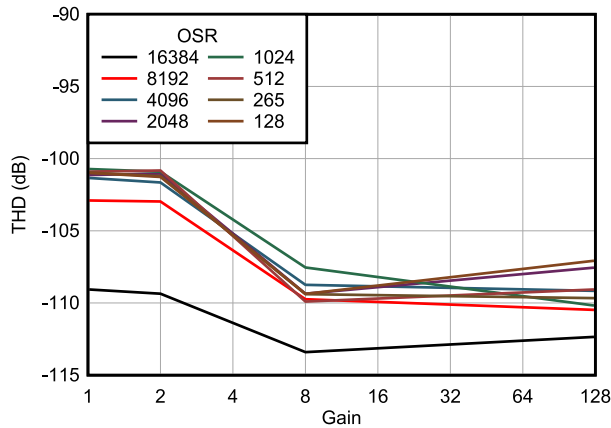
at  $T_A = 25^\circ\text{C}$ ,  $AVDD = 3\text{ V}$ ,  $DVDD = 3\text{ V}$ ,  $f_{CLKIN} = 8.192\text{ MHz}$ , data rate = 4 kSPS, gain = 1 with global-chop mode disabled, using internal reference with 100-nF tied to REFIN pin, and internal oscillator disabled (unless otherwise noted)



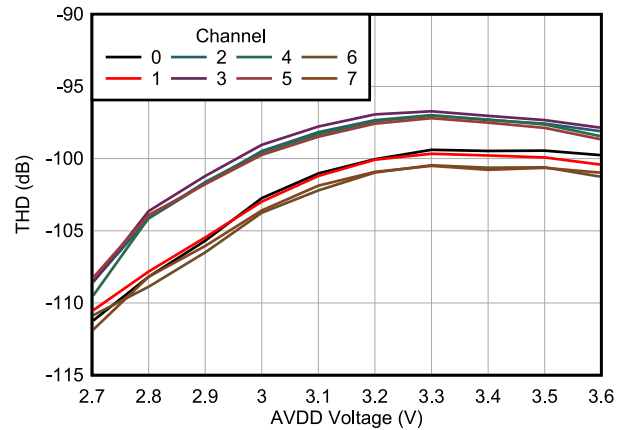
**Figure 6-22. Dynamic Range vs Gain Across OSR**



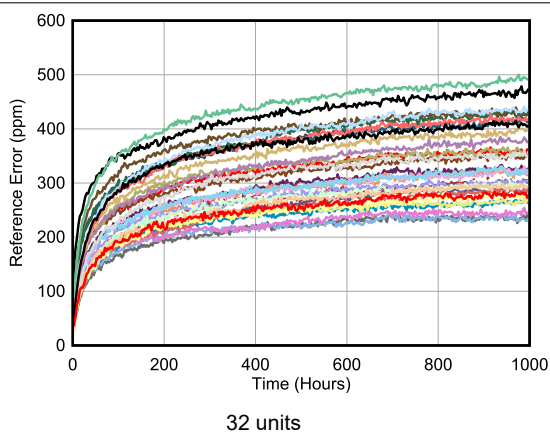
**Figure 6-23. Crosstalk vs Channel**



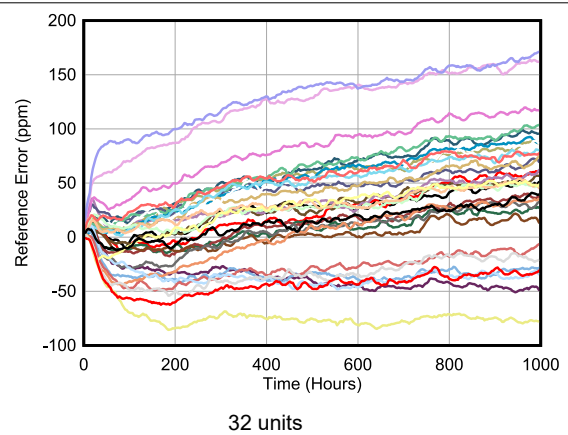
**Figure 6-24. THD vs Gain**



**Figure 6-25. THD vs AVDD**



**Figure 6-26. Long-Term Reference Drift (TQFP Package)**

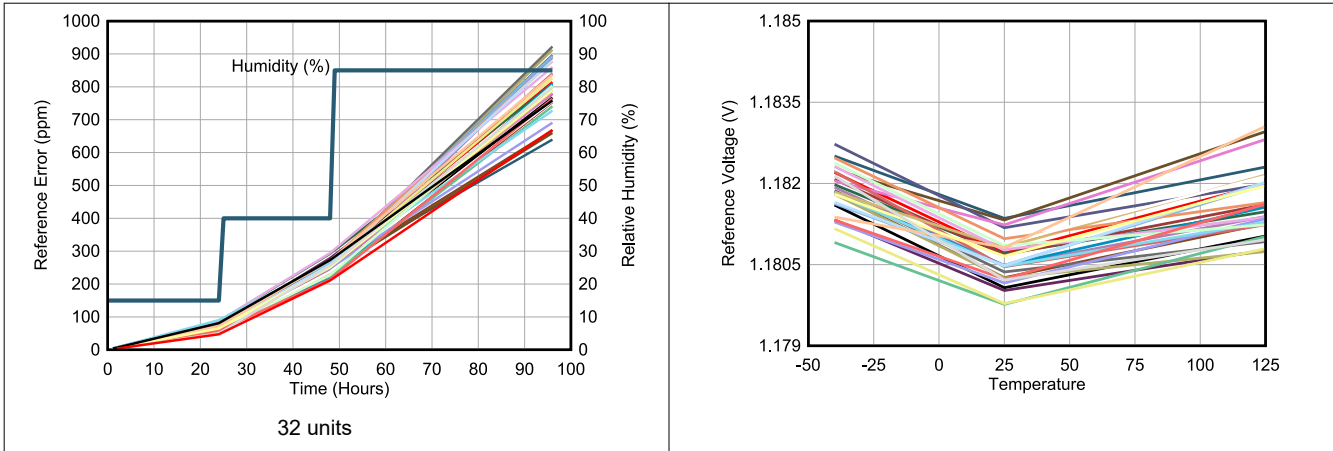


**Figure 6-27. Long-Term Reference Drift (WQFN Package)**

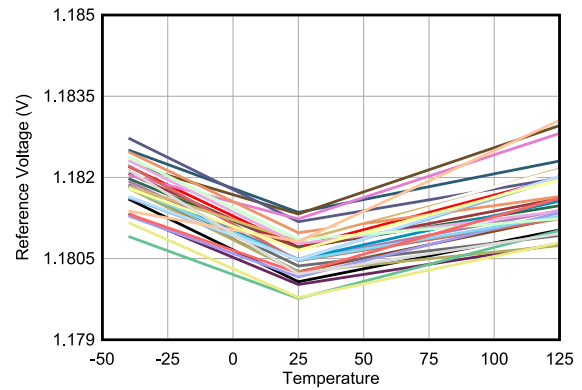


### 6.9 Typical Characteristics (continued)

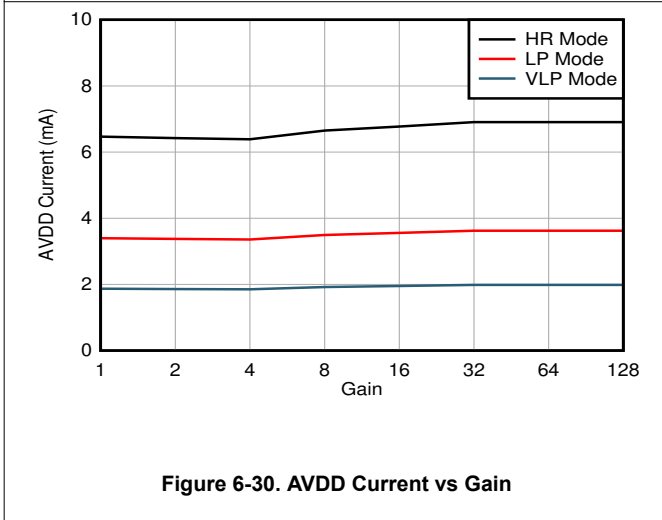
at  $T_A = 25^\circ\text{C}$ ,  $AVDD = 3\text{ V}$ ,  $DVDD = 3\text{ V}$ ,  $f_{CLKIN} = 8.192\text{ MHz}$ , data rate = 4 kSPS, gain = 1 with global-chop mode disabled, using internal reference with 100-nF tied to REFIN pin, and internal oscillator disabled (unless otherwise noted)



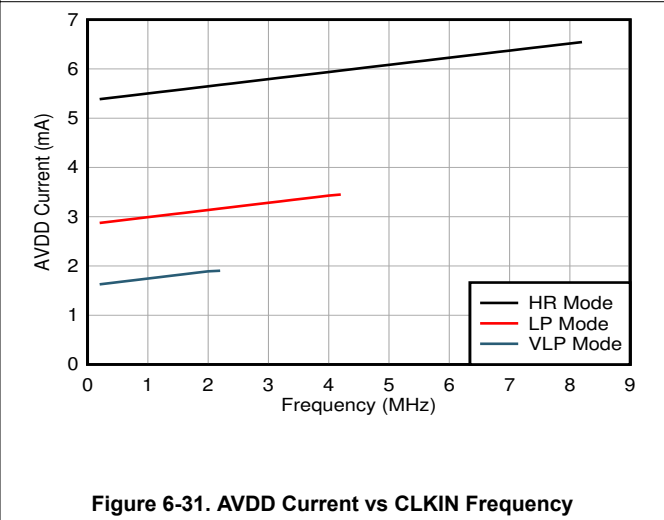
**Figure 6-28. Reference Error vs Humidity**



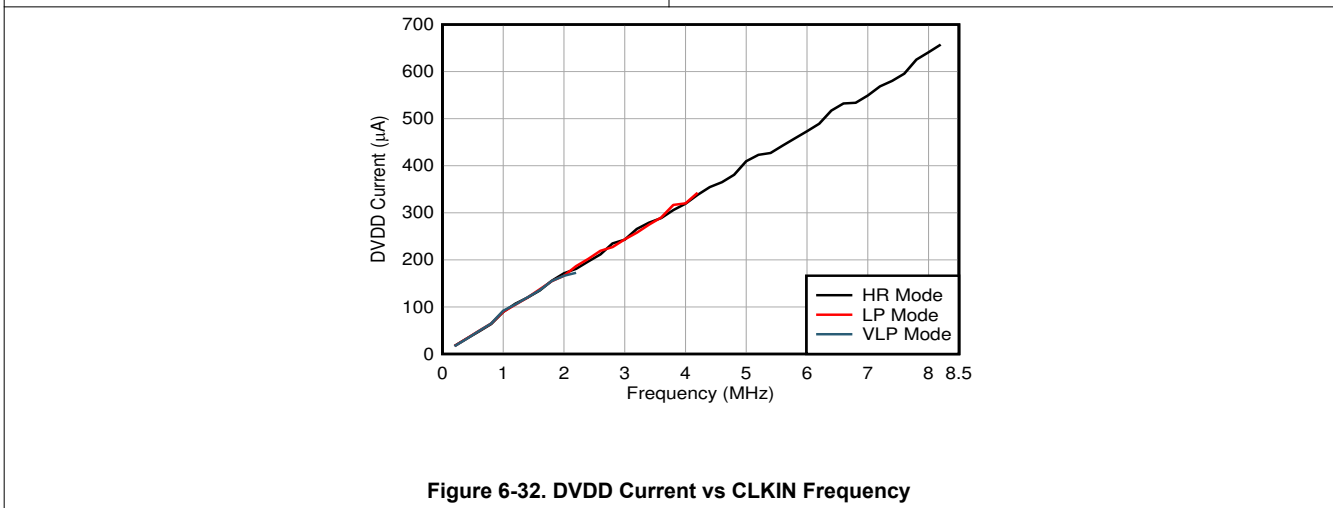
**Figure 6-29. Internal Reference Voltage Temperature Drift**



**Figure 6-30. AVDD Current vs Gain**



**Figure 6-31. AVDD Current vs CLKIN Frequency**



**Figure 6-32. DVDD Current vs CLKIN Frequency**

## 7 Parameter Measurement Information

### 7.1 Noise Measurements

Adjust the data rate and gain to optimize the ADS131M08 noise performance. When averaging is increased by reducing the data rate, noise drops correspondingly. [Table 7-1](#) summarizes the ADS131M08 noise performance using the 1.2-V internal reference and a 3.0-V analog power supply. The data are representative of typical noise performance at  $T_A = 25^\circ\text{C}$  when  $f_{\text{CLKIN}} = 8.192\text{ MHz}$ . The modulator clock frequency  $f_{\text{MOD}} = f_{\text{CLKIN}} / 2$ . The data shown are typical input-referred noise results with the analog inputs shorted together and taking an average of multiple readings across all channels. A minimum 1 second of consecutive readings are used to calculate the RMS noise for each reading. [Table 7-2](#) shows the dynamic range and effective resolution calculated from the noise data. [Equation 1](#) calculates dynamic range. [Equation 2](#) calculates effective resolution. In each case,  $V_{\text{REF}}$  corresponds to the internal 1.2-V reference, or the voltage on the REFIN pin if the external reference is used. In global-chop mode, noise is improved by a factor of  $\sqrt{2}$ .

The noise performance scales with the OSR and gain settings, but is independent from the configured power mode. Thus, the device exhibits the same noise performance in different power modes when selecting the same OSR and gain settings. However, the data rate at the OSR settings scales based on the applied clock frequency for the different power modes.

$$\text{Dynamic Range} = 20 \times \log \left( \frac{V_{\text{REF}}}{\sqrt{2} \times \text{Gain} \times V_{\text{RMS}}} \right) \tag{1}$$

$$\text{Effective Resolution} = \log_2 \left( \frac{2 \times V_{\text{REF}}}{\text{Gain} \times V_{\text{RMS}}} \right) \tag{2}$$

**Table 7-1. Noise ( $\mu\text{V}_{\text{RMS}}$ ) at  $T_A = 25^\circ\text{C}$**

OSR	DATA RATE (kSPS), $f_{\text{CLKIN}} = 8.192\text{ MHz}$	GAIN							
		1	2	4	8	16	32	64	128
16384	0.25	1.90	1.69	1.56	0.95	0.64	0.42	0.42	0.42
8192	0.5	2.39	2.13	2.13	1.29	0.86	0.57	0.57	0.57
4096	1	3.38	2.99	2.88	1.74	1.17	0.77	0.77	0.77
2048	2	4.25	3.91	3.79	2.27	1.52	1.00	1.00	1.00
1024	4	5.35	4.68	4.52	2.70	1.82	1.20	1.20	1.20
512	8	7.56	6.62	6.37	3.82	2.55	1.69	1.69	1.69
256	16	10.68	9.56	9.09	5.42	3.63	2.39	2.39	2.40
128	32	21.31	15.26	13.52	7.89	5.21	3.41	3.42	3.42

**Table 7-2. Dynamic Range (Effective Resolution) at  $T_A = 25^\circ\text{C}$**

OSR	DATA RATE (kSPS), $f_{\text{CLKIN}} = 8.192\text{ MHz}$	GAIN							
		1	2	4	8	16	32	64	128
16384	0.25	113 (20.3)	108 (19.4)	103 (18.6)	101 (18.3)	98 (17.8)	96 (17.5)	90 (16.5)	84 (15.4)
8192	0.5	111 (19.9)	106 (19.1)	100 (18.1)	98 (17.8)	96 (17.4)	93 (17.0)	87 (16.0)	81 (15.0)
4096	1	108 (19.4)	103 (18.6)	97 (17.7)	96 (17.4)	93 (17.0)	91 (16.6)	85 (15.6)	79 (14.6)
2048	2	106 (19.1)	101 (18.2)	95 (17.3)	93 (17.0)	91 (16.6)	88 (16.2)	82 (15.2)	76 (14.2)
1024	4	104 (18.8)	99 (18.0)	93 (17.0)	92 (16.8)	89 (16.3)	87 (15.9)	81 (14.9)	75 (13.9)
512	8	101 (18.3)	96 (17.5)	90 (16.5)	89 (16.3)	86 (15.8)	84 (15.4)	78 (14.4)	72 (13.4)
256	16	98 (17.8)	93 (16.9)	87 (16.0)	86 (15.8)	83 (15.3)	81 (14.9)	75 (13.9)	69 (12.9)
128	32	92 (16.8)	89 (16.3)	84 (15.4)	83 (15.2)	80 (14.8)	78 (14.4)	72 (13.4)	65 (12.4)

## 8 Detailed Description

### 8.1 Overview

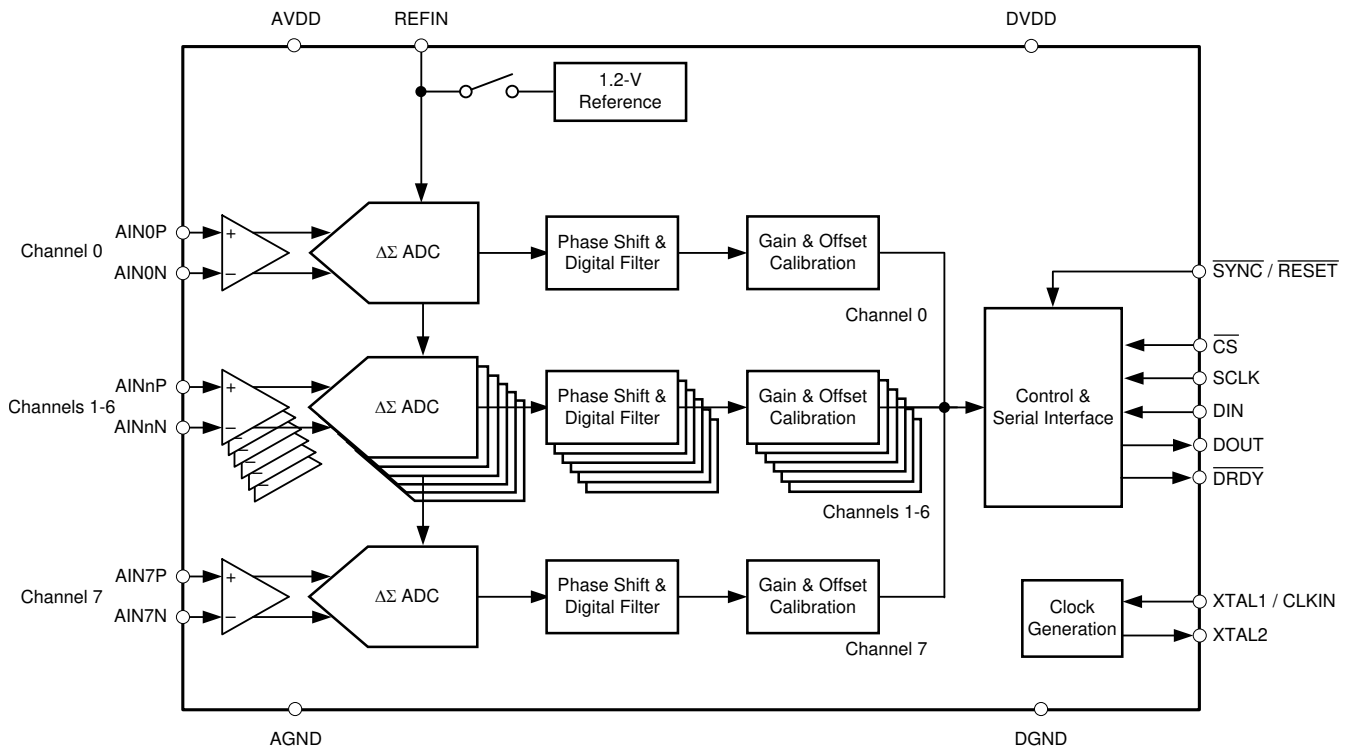
The ADS131M08 is a low-power, eight-channel, simultaneously sampling, 24-bit, delta-sigma ( $\Delta\Sigma$ ) analog-to-digital converter (ADC) with a low-drift internal reference voltage. The dynamic range, size, feature set, and power consumption are optimized for cost-sensitive applications requiring simultaneous sampling.

The ADS131M08 requires both analog and digital supplies. The analog power supply (AVDD – AGND) can operate between 2.7 V and 3.6 V. An integrated negative charge pump allows absolute input voltages as low as 1.3 V below AGND, which enables measurements of input signals varying around ground with a single-ended power supply. The digital power supply (DVDD – DGND) accepts both 1.8-V and 3.3-V supplies. The device features a programmable gain amplifier (PGA) with gains up to 128. An integrated input precharge buffer enabled at gains greater than 4 ensures high input impedance at high PGA gain settings. The ADC receives its reference voltage from an integrated 1.2-V reference. The device allows differential input voltages as large as the reference. Three power-scaling modes allow designers to trade power consumption for ADC dynamic range.

Each channel on the ADS131M08 contains a digital decimation filter that demodulates the output of the  $\Delta\Sigma$  modulators. The filter enables data rates as high as 32 kSPS per channel in high-resolution mode. The relative phase of the samples can be configured between channels, thus enabling an accurate compensation for the sensor phase response. Offset and gain calibration registers can be programmed to automatically adjust output samples for measured offset and gain errors. The *Functional Block Diagram* provides a detailed diagram of the ADS131M08.

The device communicates via a serial programming interface (SPI)-compatible interface. Several SPI commands and internal registers control the operation of the ADS131M08. Other devices can be added to the same SPI bus by adding discrete  $\overline{CS}$  control lines. The  $\overline{SYNC}/\overline{RESET}$  pin can be used to synchronize conversions between multiple ADS131M08 devices as well as to maintain synchronization with external events.

### 8.2 Functional Block Diagram



### 8.3 Feature Description

#### 8.3.1 Input ESD Protection Circuitry

Basic electrostatic discharge (ESD) circuitry protects the ADS131M08 inputs from ESD and overvoltage events in conjunction with external circuits and assemblies. Figure 8-1 depicts a simplified representation of the ESD circuit. The protection for input voltages exceeding AVDD can be modeled as a simple diode.

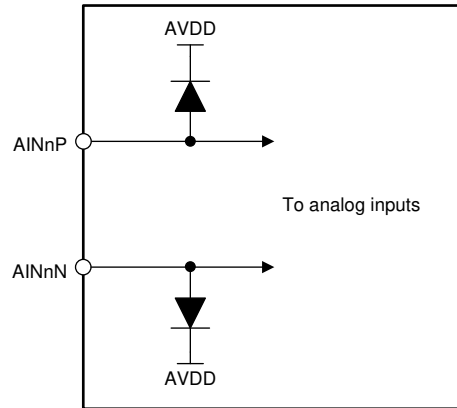


Figure 8-1. Input ESD Protection Circuitry

The ADS131M08 has an integrated negative charge pump that allows for input voltages below AGND with a unipolar supply. Consequently, shunt diodes between the inputs and AGND cannot be used to clamp excessive negative input voltages. Instead, the same diode that clamps overvoltage is used to clamp undervoltage at its reverse breakdown voltage. Take care to prevent input voltages or currents from exceeding the limits provided in the *Absolute Maximum Ratings* table.

#### 8.3.2 Input Multiplexer

Each channel of the ADS131M08 has a dedicated input multiplexer. The multiplexer controls which signals are routed to the ADC channels. Configure the input multiplexer using the MUXn[1:0] bits in the CHn\_CFG register. The input multiplexer allows the following inputs to be connected to the ADC channel:

- The analog input pins corresponding to the given channel
- AGND, which is helpful for offset calibration
- Positive DC test signal
- Negative DC test signal

See the *Internal Test Signals* section for more information about the test signals. Figure 8-2 shows a diagram of the input multiplexer on the ADS131M08.

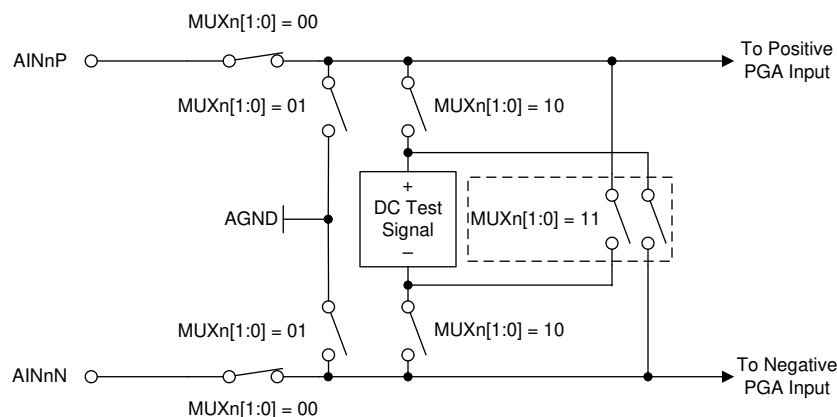


Figure 8-2. Input Multiplexer

### 8.3.3 Programmable Gain Amplifier (PGA)

Each channel of the ADS131M08 features an integrated programmable gain amplifier (PGA) that provides gains of 1, 2, 4, 8, 16, 32, 64, and 128. The gains for all channels are individually controlled by the PGAGAINn bits for each channel in the GAIN1 register.

Varying the PGA gain scales the differential full-scale input voltage range (FSR) of the ADC. Equation 3 describes the relationship between FSR and gain. Equation 3 uses the internal reference voltage, 1.2 V, as the scaling factor without accounting for gain error caused by tolerance in the reference voltage.

$$\text{FSR} = \pm 1.2 \text{ V} / \text{Gain} \quad (3)$$

Table 8-1 shows the corresponding full-scale ranges for each gain setting, assuming the internal reference is used.

**Table 8-1. Full-Scale Range**

GAIN SETTING	FSR
1	±1.2 V
2	±600 mV
4	±300 mV
8	±150 mV
16	±75 mV
32	±37.5 mV
64	±18.75 mV
128	±9.375 mV

The input impedance of the PGA dominates the input impedance characteristics of the ADS131M08. The PGA input impedance for gain settings up to 4 behaves according to Equation 4 without accounting for device tolerance and change over temperature. Minimize the output impedance of the circuit that drives the ADS131M08 inputs to obtain the best possible gain error, INL, and distortion performance.

$$330 \text{ k}\Omega \times 4.096 \text{ MHz} / f_{\text{MOD}} \quad (4)$$

where:

- $f_{\text{MOD}}$  is the  $\Delta\Sigma$  modulator frequency,  $f_{\text{CLKIN}} / 2$

The device uses an input precharge buffer for PGA gain settings of 8 and higher. The input impedance at these gain settings is very high. Specifying the input bias current for these gain settings is therefore more useful. A plot of input bias current for the high gain settings is provided in Figure 6-5.

### 8.3.4 Voltage Reference

The ADS131M08 has two reference voltage options: the internal reference and an external reference. The internal reference uses a low-drift band-gap voltage to supply the reference for the ADC. The internal reference has a nominal voltage of 1.2 V, allowing the differential input voltage to swing from –1.2 V to 1.2 V. The reference circuitry starts up very quickly to accommodate the fast-startup feature of this device. The device waits until after the reference circuitry is fully settled before generating conversion data. Do not place any capacitance on the REFIN pin if the current-detect mode is used. See the *Current-Detect Mode* section for more details about the current-detect mode.

The device also allows for an external reference voltage, which can be input at the REFIN pin. The nominal external reference voltage is 1.25 V. The full-scale range of the ADC is 1.2 V / gain when the reference voltage is 1.25 V. The ADC full-scale range maintains the ratio of 1.2 to 1.25 for all recommended reference voltages. For example, the ADC full-scale range is 1.248 V / gain if 1.3 V is applied to the REFIN pin instead of the nominal 1.25 V. The startup time for the external reference is governed by the external circuitry.

### 8.3.5 Clocking and Power Modes

The master clock can either be sourced externally to the CLKIN pin or generated internally using the onboard oscillator that requires a crystal connected between the XTAL1/CLKIN and XTAL2 pins. For optimal performance, the modulator sampling clock must be synchronous with the serial data clock (SCLK). The modulator sampling clock is derived from the master clock, which means the master clock must be synchronous with SCLK. Therefore, for best performance, supply a master clock to CLKIN and make sure data retrieval is synchronous to the clock signal at CLKIN. When not in use, turn the internal oscillator off to save power.

The PWR[1:0] bits in the CLOCK register allow the device to be configured in one of three power modes: high-resolution (HR) mode, low-power (LP) mode, and very low-power (VLP) mode. Changing the PWR[1:0] bits scales the internal bias currents to achieve the expected power levels. The external clock frequency must follow the guidance provided in the [Recommended Operating Conditions](#) table corresponding to the intended power mode in order for the device to perform according to the specification.

### 8.3.6 $\Delta\Sigma$ Modulator

The ADS131M08 uses a delta-sigma ( $\Delta\Sigma$ ) modulator to convert the analog input voltage to a one's density modulated digital bit-stream. The  $\Delta\Sigma$  modulator oversamples the input voltage at a frequency many times greater than the output data rate. The modulator frequency,  $f_{MOD}$ , of the ADS131M08 is equal to half the master clock frequency, that is,  $f_{MOD} = f_{CLKIN} / 2$ .

The output of the modulator is fed back to the modulator input through a digital-to-analog converter (DAC) as a means of error correction. This feedback mechanism shapes the modulator quantization noise in the frequency domain to make the noise more dense at higher frequencies and less dense in the band of interest. The digital decimation filter following the  $\Delta\Sigma$  modulator significantly attenuates the out-of-band modulator quantization noise, allowing the device to provide excellent dynamic range.

### 8.3.7 Digital Filter

The  $\Delta\Sigma$  modulator bit-stream feeds into a digital filter. The digital filter is a linear phase, finite impulse response (FIR), low-pass sinc-type filter that attenuates the out-of-band quantization noise of the  $\Delta\Sigma$  modulator. The digital filter demodulates the output of the  $\Delta\Sigma$  modulator by averaging. The data passing through the filter is decimated and downsampled, to reduce the rate at which data come out of the modulator ( $f_{MOD}$ ) to the output data rate ( $f_{DATA}$ ). The decimation factor is defined as per [Equation 5](#) and is called the *oversampling ratio (OSR)*.

$$OSR = f_{MOD} / f_{DATA} \quad (5)$$

The OSR is configurable and set by the OSR[2:0] bits in the CLOCK register. There are OSR settings in the ADS131M08, allowing different data rate settings for any given master clock frequency. [Table 8-2](#) lists the OSR settings and their corresponding output data rates for the nominal CLKIN frequencies mentioned.

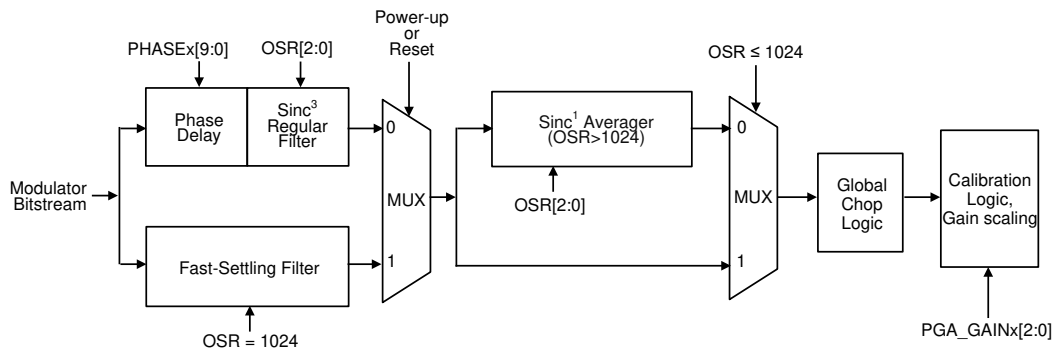
The OSR determines the amount of averaging of the modulator output in the digital filter and therefore also the filter bandwidth. The filter bandwidth directly affects the noise performance of the ADC because lower bandwidth results in lower noise whereas higher bandwidth results in higher noise. See [Table 7-1](#) for the noise specifications for various OSR settings.

**Table 8-2. OSR Settings and Data Rates for Nominal Master Clock Frequencies**

POWER MODE	NOMINAL MASTER CLOCK FREQUENCY	$f_{MOD}$	OSR	OUTPUT DATA RATE
HR	8.192 MHz	4.096 MHz	128	32 kSPS
			256	16 kSPS
			512	8 kSPS
			1024	4 kSPS
			2048	2 kSPS
			4096	1 kSPS
			8192	500 SPS
LP	4.096 MHz	2.048 MHz	128	16 kSPS
			256	8 kSPS
			512	4 kSPS
			1024	2 kSPS
			2048	1 kSPS
			4096	500 SPS
			8192	250 SPS
VLP	2.048 MHz	1.024 MHz	128	8 kSPS
			256	4 kSPS
			512	2 kSPS
			1024	1 kSPS
			2048	500 SPS
			4096	250 SPS
			8192	125 SPS
			16384	62.5 SPS

### 8.3.7.1 Digital Filter Implementation

Figure 8-3 shows the digital filter implementation of the ADS131M08. The modulator bit-stream feeds two parallel filter paths, a sinc<sup>3</sup> filter, and a fast-settling filter path.



**Figure 8-3. Digital Filter Implementation**

#### 8.3.7.1.1 Fast-Settling Filter

At power-up or after a device reset, the ADS131M08 selects the fast-settling filter to allow for settled output data generation with minimal latency. The fast-settling filter has the characteristic of a first-order sinc filter (sinc<sup>1</sup>). After two conversions, the device switches to and remains in the sinc<sup>3</sup> filter path until the next time the device is reset or powered cycled.

The fast-settling filter exhibits wider bandwidth and less stop-band attenuation than the sinc<sup>3</sup> filter. Consequently, the noise performance when using the fast-settling filter is not as high as with the sinc<sup>3</sup> filter. The first two samples available from the ADS131M08 after a supply ramp or reset have the noise performance and frequency response corresponding to the fast-settling filter as specified in the [Electrical Characteristics](#) table, whereas subsequent samples have the noise performance and frequency response consistent with the sinc<sup>3</sup> filter. See the [Fast Startup Behavior](#) section for more details regarding the fast startup capabilities of the ADS131M08.

#### 8.3.7.1.2 SINC<sup>3</sup> and SINC<sup>3</sup> + SINC<sup>1</sup> Filter

The ADS131M08 selects the sinc<sup>3</sup> filter path two conversion after power-up or device reset. For OSR settings of 128 to 1024 the sinc<sup>3</sup> filter output directly feeds into the global-chop and calibration logic. For OSR settings of 2048 and higher the sinc<sup>3</sup> filter is followed by a sinc<sup>1</sup> filter. As shown in [Table 8-3](#), the sinc<sup>3</sup> filter operates at a fixed OSR of 1024 in this case while the sinc<sup>1</sup> filter implements the additional OSRs of 2 to 16. That means when an OSR of 4096 (for example) is selected, the sinc<sup>3</sup> filter operates at an OSR of 1024 and the sinc<sup>1</sup> filter at an OSR of 4.

The filter has infinite attenuation at integer multiples of the data rate except for integer multiples of f<sub>MOD</sub>. Like all digital filters, the digital filter response of the ADS131M08 repeats at integer multiples of the modulator frequency, f<sub>MOD</sub>. The data rate and filter notch frequencies scale with f<sub>MOD</sub>.

When possible, plan frequencies for unrelated periodic processes in the application for integer multiples of the data rate such that any parasitic effect they have on data acquisition is effectively cancelled by the notches of the digital filter. Avoid frequencies near integer multiples of f<sub>MOD</sub> whenever possible because tones in these bands can alias to the band of interest.

The sinc<sup>3</sup> and sinc<sup>3</sup> + sinc<sup>1</sup> filters for a given channel require time to settle after a channel is enabled, the channel multiplexer or gain setting is changed, or a resynchronization event occurs. See the [Synchronization](#) section for more details on resynchronization. [Table 8-3](#) lists the settling times of the sinc<sup>3</sup> and sinc<sup>3</sup> + sinc<sup>1</sup> filters for each OSR setting. The ADS131M08 does not gate unsettled data. Therefore, the host must account for the filter settling time and disregard unsettled data if any are read. The data at the next DRDY falling edge after the filter settling time listed in [Table 8-3](#) has expired can be considered fully settled.

**Table 8-3. Digital Filter Startup Times After Power-Up or Resynchronization**

OSR (OVERALL)	OSR (SINC <sup>3</sup> )	OSR (SINC <sup>1</sup> )	SETTLING TIME (t <sub>CLKIN</sub> )
128	128	N/A	856
256	256	N/A	1112
512	512	N/A	1624
1024	1024	N/A	2648
2048	1024	2	4696
4096	1024	4	8792
8192	1024	8	16984
16384	1024	16	33368

#### 8.3.7.2 Digital Filter Characteristic

[Equation 6](#) calculates the z-domain transfer function of a sinc<sup>3</sup> filter that is used for OSRs of 1024 and lower.

$$|H(z)| = \left| \frac{1 - Z^{-N}}{N(1 - Z^{-1})} \right|^3 \quad (6)$$

where N is the OSR.

[Equation 7](#) calculates the transfer function of a sinc<sup>3</sup> filter in terms of the continuous-time frequency parameter *f*.



$$|H(f)| = \left| \frac{\sin\left(\frac{N\pi f}{f_{MOD}}\right)}{N \times \sin\left(\frac{\pi f}{f_{MOD}}\right)} \right|^3 \quad (7)$$

where N is the OSR.

Figure 8-4 through Figure 8-7 show the digital filter response of the fast-settling filter and the sinc<sup>3</sup> filter for OSRs of 1024 and lower. Figure 8-6 and Figure 8-7 show the digital filter response of the sinc<sup>3</sup> + sinc<sup>1</sup> filter for an OSR of 4096.

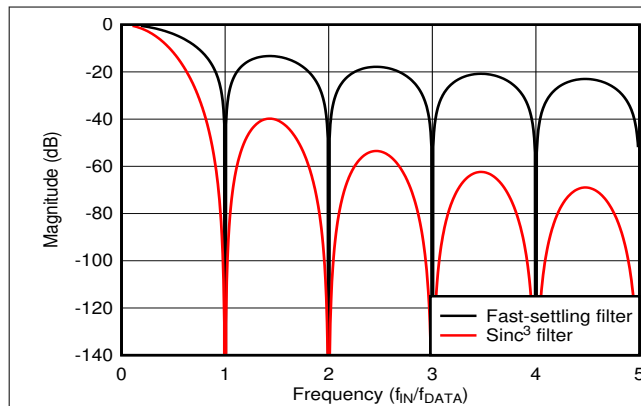


Figure 8-4. Fast-Settling and Sinc<sup>3</sup> Digital Filter Response

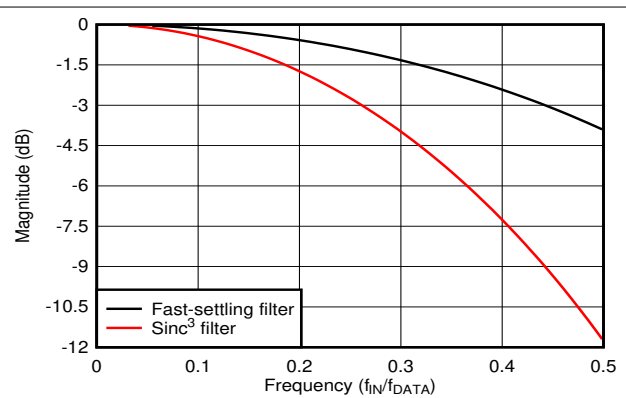


Figure 8-5. Fast-Settling and Sinc<sup>3</sup> Digital Filter Response, Pass-Band Detail

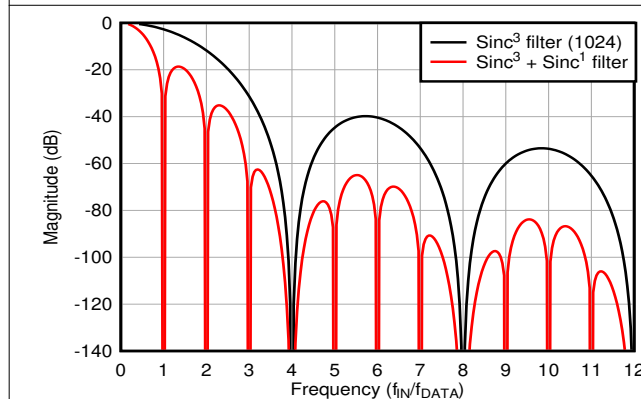


Figure 8-6. Digital Filter Response for OSR = 1024 and OSR = 4096

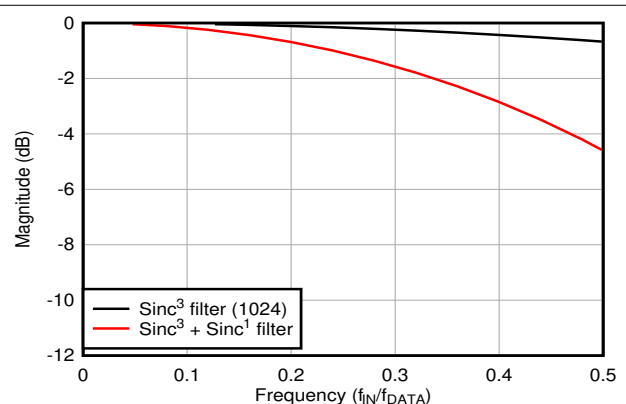


Figure 8-7. Digital Filter Response for OSR = 1024 and OSR = 4096, Pass-Band Detail

### 8.3.8 DC Block Filter

The ADS131M08 includes an optional high-pass filter to eliminate any systematic offset or low-frequency noise. The filter is enabled by writing any value in the DCBLOCK[3:0] bits in the CD\_TH\_LSB register besides 0h. The DC block filter can be enabled and disabled on a channel-by-channel basis by the DCBLKn\_DIS bit in the CHn\_CFG register for each respective channel.

Figure 8-8 shows the topology of the DC block filter. Coefficient *a* represents a register configurable value that configures the cutoff frequency of the filter. The cutoff frequency is configured using the DCBLOCK[3:0] bits in the CD\_TH\_LSB register. Table 8-4 describes the characteristics of the filter for various DCBLOCK[3:0] settings. The data provided in Table 8-4 is provided for an 8.192-MHz CLKIN frequency and a 4-kSPS data rate. The frequency response of the filter response scales directly with the frequency of CLKIN and the data rate.

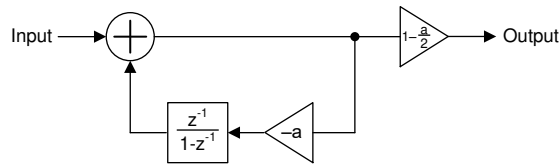


Figure 8-8. DC Block Filter Topology

Table 8-4. DC Block Filter Characteristics

DCBLOCK[3:0]	a COEFFICIENT	-3-dB CORNER <sup>(1)</sup>	PASS-BAND ATTENUATION <sup>(1)</sup>		SETTLING TIME (Samples)	
			50 Hz	60 Hz	SETTLED >99%	FULLY SETTLED
0h		DC block filter disabled				
1h	1/4	181 Hz	11.5 dB	10.1 dB	17	88
2h	1/8	84.8 Hz	5.89 dB	4.77 dB	36	187
3h	1/16	41.1 Hz	2.24 dB	1.67 dB	72	387
4h	1/32	20.2 Hz	657 mdB	466 mdB	146	786
5h	1/64	10.0 Hz	171 mdB	119 mdB	293	1585
6h	1/128	4.99 Hz	43.1 mdB	29.9 mdB	588	3182
7h	1/256	2.49 Hz	10.8 mdB	7.47 mdB	1178	6376
8h	1/512	1.24 Hz	2.69 mdB	1.87 mdB	2357	12764
9h	1/1024	622 mHz	671 µdB	466 µdB	4714	25540
Ah	1/2048	311 mHz	168 µdB	116 µdB	9430	51093
Bh	1/4096	155 mHz	41.9 µdB	29.1 µdB	18861	102202
Ch	1/8192	77.7 mHz	10.5 µdB	7.27 µdB	37724	204447
Dh	1/16384	38.9 mHz	2.63 µdB	1.82 µdB	75450	409156
Eh	1/32768	19.4 mHz	655 ndB	455 ndB	150901	820188
Fh	1/65536	9.70 mHz	164 ndB	114 ndB	301803	1627730

(1) Values given are for a 4-kSPS data rate with a 8.192-MHz CLKIN frequency.

### 8.3.9 Internal Test Signals

The ADS131M08 features an internal analog test signal that is useful for troubleshooting and diagnosis. A positive or negative DC test signal can be applied to the channel inputs through the input multiplexer. The multiplexer is controlled through the MUXn[1:0] bits in the CHn\_CFG register. The test signals are created by internally dividing the internal reference voltage. The same signal is shared by all channels.

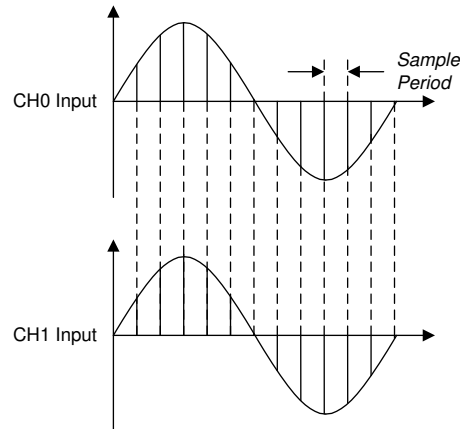
The test signal is nominally  $2 / 15 \times V_{REF}$ . The test signal automatically adjusts its voltage level with the gain setting such that the ADC always measures a signal that is  $2 / 15 \times V_{Diff Max}$ . For example, at a gain of 1, this voltage equates to 160 mV. At a gain of 2, this voltage is 80 mV.

### 8.3.10 Channel Phase Calibration

The ADS131M08 allows fine adjustment of the sample phase between channels through the use of channel phase calibration. This feature is helpful when different channels are measuring the outputs of different types of sensors that have different phase responses. For example, in power metrology applications, voltage can be measured by a voltage divider, whereas current is measured using a current transformer that exhibits a phase difference between its input and output signals. The differences in phase between the voltage and current measurement must be compensated to measure the power and related parameters accurately.

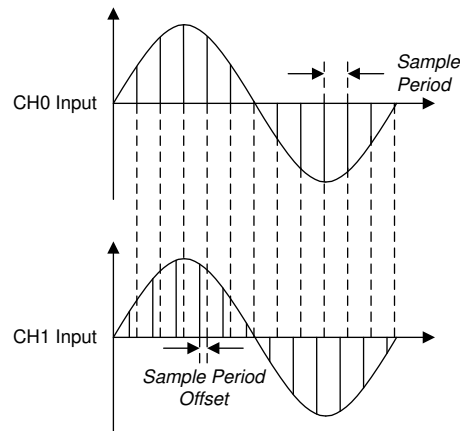
The phase setting of the different channels is configured by the PHASEn[9:0] bits in the CHn\_CFG register corresponding to the channel whose phase adjustment is desired. The register value is a 10-bit two's complement value corresponding to the number of modulator clock cycles of phase offset compared to a reference phase of 0 degrees.

The mechanism for achieving phase adjustment derives from the  $\Delta\Sigma$  architecture. The  $\Delta\Sigma$  modulator produces samples continuously at the modulator frequency,  $f_{MOD}$ . These samples are filtered and decimated to the output data rate by the digital filter. The ratio between  $f_{MOD}$  and the data rate is the oversampling ratio (OSR). Each conversion result corresponds to an OSR number of modulator samples provided to the digital filter. When the different channels of the ADS131M08 have no programmed phase offset between them, the modulator clock cycles corresponding to the conversion results of the different channels are aligned in the time domain. [Figure 8-9](#) depicts an example scenario where the voltage input to channel 1 has no phase offset from channel 0.

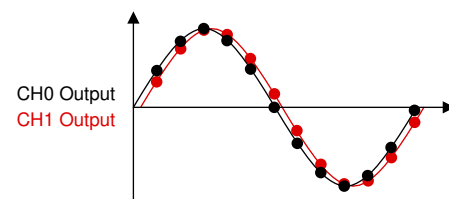


**Figure 8-9. Two Channel Outputs With Equal Phase Settings**

However, the sample period of one channel can be shifted with respect to another. If the inputs to both channels are sinusoids of the same frequency and the samples for these channels are retrieved by the host at the same time, the effect is that the phase of the channel with the modified sample period appears *shifted*. [Figure 8-10](#) depicts how the period corresponding to the samples are shifted between channels. [Figure 8-11](#) illustrates how the samples appear as having generated a phase shift when they are retrieved by the host.



**Figure 8-10. Channel 1 With a Positive Sample Phase Shift With Respect to Channel 0**



**Figure 8-11. Channels 1 and 0 From the Perspective of the Host**

The valid setting range is from  $-\text{OSR} / 2$  to  $(\text{OSR} / 2) - 1$ , except for OSRs greater than 1024, where the phase calibration setting is limited to  $-512$  to  $511$ . If a value outside of  $-\text{OSR} / 2$  and  $(\text{OSR} / 2) - 1$  is programmed, the device internally clips the value to the nearest limit. For example, if the OSR setting is programmed to 128 and the PHASEn[9:0] bits are programmed to 0001100100b corresponding to 100 modulator clock cycles, the device sets the phase of the channel to 63 because that value is the upper limit of phase calibration for that OSR setting. [Table 8-5](#) gives the range of phase calibration settings for various OSR settings.

**Table 8-5. Phase Calibration Setting Limits for Different OSR Settings**

OSR SETTING	PHASE OFFSET RANGE ( $t_{\text{MOD}}$ )	PHASEn[9:0] BITS RANGE
128	-64 to 63	11 1100 0000b to 00 0011 1111b
256	-128 to 127	11 1000 0000b to 00 0111 1111b
512	-256 to 255	11 0000 0000b to 00 1111 1111b
1024	-512 to 511	10 0000 0000b to 01 1111 1111b
2048	-512 to 511	10 0000 0000b to 01 1111 1111b
4096	-512 to 511	10 0000 0000b to 01 1111 1111b
8192	-512 to 511	10 0000 0000b to 01 1111 1111b
16384	-512 to 511	10 0000 0000b to 01 1111 1111b

Follow these steps to create a phase shift larger than half the sample period for OSRs less than 2048:

- Create a phase shift corresponding to an integer number of sample periods by modifying the indices between channel data in software
- Use the phase calibration function of the ADS131M08 to create the remaining fractional sample period phase shift

For example, to create a phase shift of 2.25 samples between channels 0 and 1, create a phase shift of two samples by aligning sample N in the channel 0 output data stream with sample N+2 in the channel 1 output data stream in the host software. Make the remaining 0.25 sample adjustment using the ADS131M08 phase calibration function.

The phase calibration settings of the channels affect the timing of the data-ready interrupt signal,  $\overline{\text{DRDY}}$ . See the [Data Ready \(DRDY\)](#) section for more details regarding how phase calibration affects the DRDY signal.

### 8.3.11 Calibration Registers

The calibration registers allow for the automatic computation of calibrated ADC conversion results from pre-programmed values. The host can rely on the device to automatically correct for system gain and offset after the error correction terms are programmed into the corresponding device registers. The measured calibration coefficients must be store in external non-volatile memory and programmed into the registers each time the ADS131M08 powers up because the ADS131M08 registers are volatile.

The offset calibration registers are used to correct for system offset error, otherwise known as *zero error*. Offset error corresponds to the ADC output when the input to the system is zero. The ADS131M08 corrects for offset errors by subtracting the contents of the OCALn[23:0] register bits in the CHn\_OCAL\_MSB and CHn\_OCAL\_LSB registers from the conversion result for that channel before being output. There are separate CHn\_OCAL\_MSB and CHnOCAL\_LSB registers for each channel, which allows separate offset calibration coefficients to be programmed for each channel. The contents of the OCALn[23:0] bits are interpreted by the device as 24-bit two's complement values, which is the same format as the ADC data.

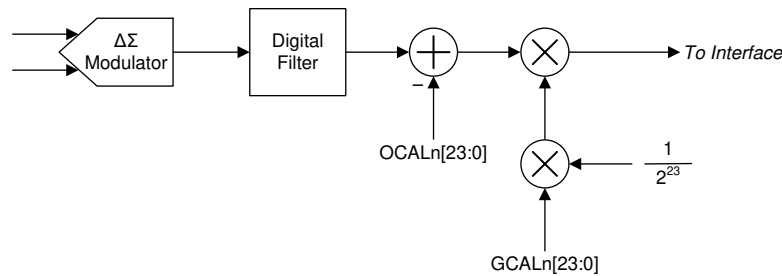
The gain calibration registers are used to correct for system gain error. Gain error corresponds to the deviation of gain of the system from its ideal value. The ADS131M08 corrects for gain errors by multiplying the ADC conversion result by the value given by the contents of the GCALn[23:0] register bits in the CHn\_GCAL\_MSB and CHn\_GCAL\_LSB registers before being output. There are separate CHn\_GCAL\_MSB and CHn\_GCAL\_LSB registers for each channel, which allows separate gain calibration coefficients to be programmed for each channel. The contents of the GCALn[23:0] bits are interpreted by the device as 24-bit unsigned values corresponding to linear steps ranging from gains of 0 to  $2 - (1 / 2^{23})$ . [Table 8-6](#) describes the relationship between the GCALn[23:0] bit values and the gain calibration factor.

**Table 8-6. GCALn[23:0] Bit Mapping**

GCALn[23:0] VALUE	GAIN CALIBRATION FACTOR
000000h	0
000001h	$1.19 \times 10^{-7}$
800000h	1
FFFFFFEh	$2 - 2.38 \times 10^{-7}$
FFFFFFFh	$2 - 1.19 \times 10^{-7}$

The calibration registers do not need to be enabled because they are always in use. The OCALn[23:0] bits have a default value of 000000h resulting in no offset correction. Similarly, the GCALn[23:0] bits default to 800000h resulting in a gain calibration factor of 1.

Figure 8-12 depicts a block diagram illustrating the mechanics of the calibration registers on one channel of the ADS131M08.



**Figure 8-12. Calibration Block Diagram**

### 8.3.12 Communication Cyclic Redundancy Check (CRC)

The ADS131M08 features a cyclic redundancy check (CRC) engine on both input and output data to mitigate SPI communication errors. The CRC word is 16 bits wide for either input or output CRC. Coverage includes all words in the SPI frame where the CRC is enabled, including padded bits in a 32-bit word size.

CRC on the SPI input is optional and can be enabled and disabled by writing the RX\_CRC\_EN bit in the MODE register. Input CRC is disabled by default. When the input CRC is enabled, the device checks the provided input CRC against the CRC generated based on the input data. A CRC error occurs if the CRC words do not match. The device does not execute any commands, except for the WREG command, if the input CRC check fails. A WREG command always executes even when the CRC check fails. The device sets the CRC\_ERR bit in the STATUS register for all cases of a CRC error. The response on the output in the SPI frame following the frame where the CRC error occurred is that of a NULL command, which means the STATUS register plus the conversion data are output in the following SPI frame. The CRC\_ERR bit is cleared when the STATUS register is output.

The output CRC cannot be disabled and always appears at the end of the output frame. The host can ignore the data if the output CRC is not used.

There are two types of CRC polynomials available: CCITT CRC and ANSI CRC (CRC-16). The CRC setting determines the algorithm for both the input and output CRC. The CRC type is programmed by the CRC\_TYPE bit in the MODE register. Table 8-7 lists the details of the two CRC types.

The seed value of the CRC calculation is FFFFh.

**Table 8-7. CRC Types**

CRC TYPE	POLYNOMIAL	BINARY POLYNOMIAL
CCITT CRC	$x^{16} + x^{12} + x^5 + 1$	0001 0000 0010 0001
ANSI CRC	$x^{16} + x^{15} + x^2 + 1$	1000 0000 0000 0101

### 8.3.13 Register Map CRC

The ADS131M08 performs a CRC on its own register map as a means to check for unintended changes to the registers. Enable the register map CRC by setting the REG\_CRC\_EN bit in the MODE register. When enabled, the device constantly calculates the register map CRC using each bit in the writable register space. The register addresses covered by the register map CRC on the ADS131M08 are 02h through 30h. The CRC is calculated beginning with the MSB of register 02h and ending with the LSB of register 30h using the polynomial selected in the CRC\_TYPE bit in the MODE register.

The calculated CRC is a 16-bit value and is stored in the REGMAP\_CRC register. The calculation is done using one register map bit per CLKIN period and constantly checks the result against the previous calculation. The REG\_MAP bit in the STATUS register is set to flag the host if the register map CRC changes, including changes resulting from register writes. The bit is cleared by reading the STATUS register, or by the STATUS register being output as a response to the NULL command.

## 8.4 Device Functional Modes

Figure 8-13 shows a state diagram depicting the major functional modes of the ADS131M08 and the transitions between them.

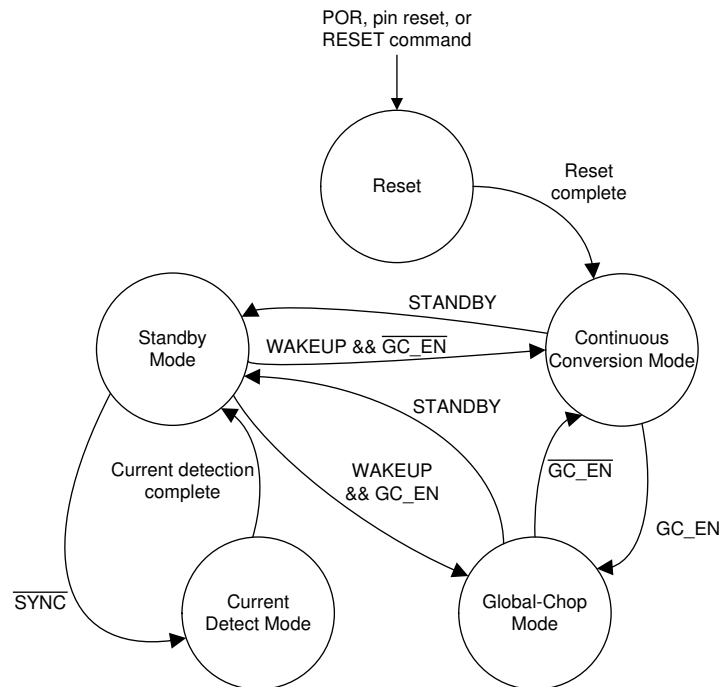


Figure 8-13. State Diagram Depicting Device Functional Modes

### 8.4.1 Power-Up and Reset

The ADS131M08 is reset in one of three ways: by a power-on reset (POR), by the  $\overline{\text{SYNC/RESET}}$  pin, or by a RESET command. After a reset occurs, the configuration registers are reset to the default values and the device begins generating conversion data as soon as a valid MCLK is provided. In all three cases a low to high transition on the  $\overline{\text{DRDY}}$  pin indicates that the SPI interface is ready for communication. The device ignores any SPI communication before this point.

#### 8.4.1.1 Power-On Reset

Power-on reset (POR) is the reset that occurs when a valid supply voltage is first applied. The POR process requires  $t_{\text{POR}}$  from when the supply voltages reach 90% of their nominal value. Internal circuitry powers up and the registers are set to their default state during this time. The  $\overline{\text{DRDY}}$  pin transitions from low to high immediately after  $t_{\text{POR}}$  indicating the SPI interface is ready for communication. The device ignores any SPI communication before this point.

#### 8.4.1.2 $\overline{\text{SYNC/RESET}}$ Pin

The  $\overline{\text{SYNC/RESET}}$  pin is an active low, dual-function pin that generates a reset if the pin is held low longer than  $t_{\text{w(RSL)}}$ . The device maintains a reset state until  $\overline{\text{SYNC/RESET}}$  is returned high. The host must wait for at least  $t_{\text{REGACQ}}$  after  $\overline{\text{SYNC/RESET}}$  is brought high or for the  $\overline{\text{DRDY}}$  rising edge before communicating with the device. Conversion data are generated immediately after the registers are reset to their default values, as described in the [Fast Startup Behavior](#) section.

#### 8.4.1.3 RESET Command

The ADS131M08 can be reset via the SPI RESET command (0011h). The device communicates in frames of a fixed length. See the [SPI Communication Frames](#) section for details regarding SPI data framing on the ADS131M08. The RESET command occurs in the first word of the data frame, but the command is not latched by the device until the entire frame is complete. After the response completes channel data and CRC words are

clocked out. Terminating the frame early causes the RESET command to be ignored. Ten words are required to complete a frame on the ADS131M08.

A reset occurs immediately after the command is latched. The host must wait for  $t_{REGACQ}$  before communicating with the device to ensure the registers have assumed their default settings. Conversion data are generated immediately after the registers are reset to their default values, as described in the [Fast Startup Behavior](#) section.

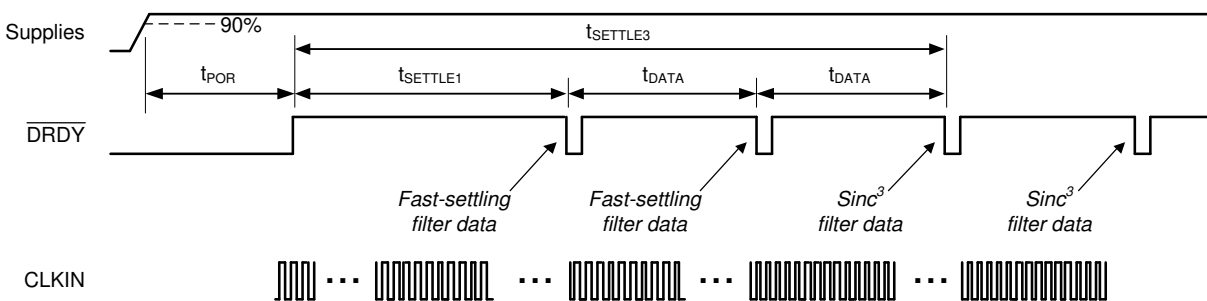
### 8.4.2 Fast Startup Behavior

The ADS131M08 begins generating conversion data shortly after startup as soon as a valid CLKIN signal is provided to the  $\Delta\Sigma$  modulators. The fast startup feature is useful for applications such as circuit breakers powered from the mains that require a fast determination of the input voltage soon after power is applied to the device. Fast startup is accomplished via two mechanisms. First, the device internal power-supply circuitry is designed specifically to enable fast startup. Second, the digital decimation filter dynamically switches from a fast-settling filter to a sinc<sup>3</sup> filter when the sinc<sup>3</sup> filter has had time to settle.

After the supplies are ramped to 90% of their final values, the device requires  $t_{POR}$  for the internal circuitry to settle. The end of  $t_{POR}$  is indicated by a transition of  $\overline{DRDY}$  from low to high. The transition of  $\overline{DRDY}$  from low to high also indicates the SPI interface is ready to accept commands.

The  $\Delta\Sigma$  modulators of the ADS131M08 require CLKIN to toggle after  $t_{POR}$  to begin working. The modulators begin sampling the input signal after an initial wait time delay of  $(256 + 44) \times t_{MOD}$  when CLKIN begins toggling. Therefore, provide a valid clock signal on CLKIN as soon as possible after the supply ramp to achieve the fastest possible startup time.

The data generated by the  $\Delta\Sigma$  modulators are fed to the digital filter blocks. The data are provided to both the fast-settling filter and the sinc<sup>3</sup> filter paths. The fast-settling filter requires only one data rate period to provide settled data. Meanwhile, the sinc<sup>3</sup> filter requires three data rate periods to settle. The fast-settling filter generates the output data for the two interim ADC output samples indicated by  $\overline{DRDY}$  transitioning from high to low while the sinc<sup>3</sup> filter is settling. The device disables the fast-settling filter and provides conversion data from the sinc<sup>3</sup> filter path for the third and following samples. [Figure 8-14](#) shows the behavior of the fast-startup feature when using an external clock that is provided to the device right after the supplies have ramped. [Table 8-8](#) shows the values for the various startup and settling times relevant to the device startup.



**Figure 8-14. Fast Startup Behavior and Settling Times**

**Table 8-8. Fast Startup Settling Times for Default OSR = 1024**

PARAMETER	VALUE (DETAILS) ( $t_{MOD}$ )	VALUE ( $t_{MOD}$ )	VALUE AT $f_{CLKIN} = 8.192 \text{ MHz}$ (ms)
$t_{DATA} = 1/f_{DATA}$	1024	1024	0.250
$t_{SETTLE1}$	$256 + 44 + 1024$	1324	0.323
$t_{SETTLE3}$	$256 + 44 + 3 \times 1024$	3372	0.823

The fast-settling filter provides conversion data that are significantly noisier than the data that comes from the sinc<sup>3</sup> filter path, but allows the device to provide settled conversion data during the longer settling time of the more accurate sinc<sup>3</sup> digital filter. If the level of precision provided by the fast-settling filter is insufficient even for



the first samples immediately following startup, ignore the first two instances of  $\overline{\text{DRDY}}$  toggling from high to low and begin collecting data on the third instance.

The startup process following a RESET command or a pin reset using the  $\overline{\text{SYNC/RESET}}$  pin is similar to what occurs after power up. However there is no  $t_{\text{POR}}$  in the case of a command or pin reset because the supplies are already ramped. After reset, the device waits for the initial wait time delay of  $(256 + 44) \times t_{\text{MOD}}$  before providing modulator samples to the two digital filters. The fast-settling filter is enabled for the first two output samples.

### 8.4.3 Conversion Modes

There are two ADC conversion modes on the ADS131M08: continuous-conversion and global-chop mode. Continuous-conversion mode is a mode where ADC conversions are generated constantly by the ADC at a rate defined by  $f_{\text{MOD}} / \text{OSR}$ . Global-chop mode differs from continuous-conversion mode because global-chop periodically chops (or swaps) the inputs, which reduces system offset errors at the cost of settling time between the points when the inputs are swapped. In either continuous-conversion or global-chop mode, there are three power modes that provide flexible options to scale power consumption with bandwidth and dynamic range. The [Power Modes](#) section discusses these power modes in further detail.

#### 8.4.3.1 Continuous-Conversion Mode

Continuous-conversion mode is the mode in which ADC data are generated constantly at the rate of  $f_{\text{MOD}} / \text{OSR}$ . New data are indicated by a  $\overline{\text{DRDY}}$  falling edge at this rate. Continuous-conversion mode is intended for measuring AC signals because this mode allows for higher output data rates than global-chop mode.

#### 8.4.3.2 Global-Chop Mode

The ADS131M08 incorporates a global-chop mode option to reduce offset error and offset drift inherent to the device due to mismatch in the internal circuitry to very low levels. When global-chop mode is enabled by setting the GC\_EN bit in the GLOBAL\_CHOP\_CFG register, the device uses the conversion results from two consecutive internal conversions taken with opposite input polarity to cancel the device offset voltage. Conversion  $n$  is taken with normal input polarity. The device then reverses the internal input polarity for conversion  $n + 1$ . The average of two consecutive conversions ( $n$  and  $n + 1$ ,  $n + 1$  and  $n + 2$  and so on) yields the final offset compensated result.

Figure 8-15 shows a block diagram of the global-chop mode implementation. The combined PGA and ADC internal offset voltage is modeled as  $V_{\text{OFS}}$ . Only this device inherent offset voltage is reduced by global-chop mode. Offset in the external circuitry connected to the analog inputs is not affected by global-chop mode.

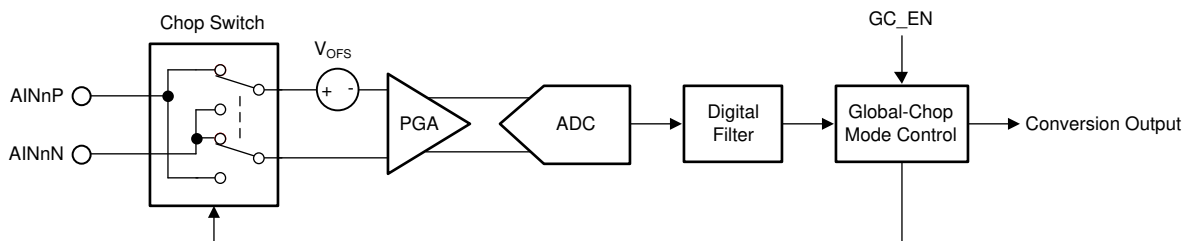


Figure 8-15. Global-Chop Mode Implementation

The conversion period in global-chop mode differs from the conversion time when global-chop mode is disabled ( $t_{\text{DATA}} = \text{OSR} \times t_{\text{MOD}}$ ). Figure 8-16 shows the conversion timing for an ADC channel using global-chop mode.

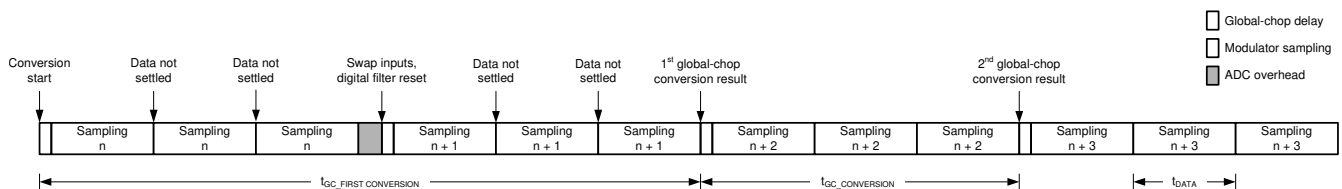


Figure 8-16. Conversion Timing With Global-Chop Mode Enabled

Every time the device swaps the input polarity, the digital filter is reset. The ADC then always takes three internal conversions to produce one settled global-chop conversion result.

The ADS131M08 provides a programmable delay ( $t_{GC\_DLY}$ ) between the end of the previous conversion period and the beginning of the subsequent conversion period after the input polarity is swapped. This delay is to allow for external input circuitry to settle because the chopping switches interface directly with the analog inputs. The GC\_DLY[3:0] bits in the GLOBAL\_CHOP\_CFG register configure the delay after chopping the inputs. The global-chop delay is selected in terms of modulator clock periods from 2 to  $65,536 \times t_{MOD}$ .

The effective conversion period in global-chop mode follows [Equation 8](#). A  $\overline{DRDY}$  falling edge is generated each time a new global-chop conversion becomes available to the host.

The conversion process of all ADC channels in global-chop mode is restarted in the following two conditions so that all channels start sampling at the same time:

- Falling edge of  $\overline{SYNC/RESET}$  pin
- Change of OSR setting

The conversion period of the first conversion after the ADC channels have been reset is considerably longer than the conversion period of all subsequent conversions mentioned in [Equation 8](#), because the device first needs to perform two fully settled internal conversions with the input polarity swapped. The conversion period for the first conversion in global-chop mode follows [Equation 9](#).

$$t_{GC\_CONVERSION} = t_{GC\_DLY} + 3 \times OSR \times t_{MOD} \quad (8)$$

$$t_{GC\_FIRST\_CONVERSION} = t_{GC\_DLY} + 3 \times OSR \times t_{MOD} + t_{GC\_DLY} + 3 \times OSR \times t_{MOD} + 44 \times t_{MOD} \quad (9)$$

Using global-chop mode reduces the ADC noise shown in [Table 7-1](#) at a given OSR by a factor of  $\sqrt{2}$  because two consecutive internal conversions are averaged to yield one global-chop conversion result. The DC test signal cannot be measured in global-chop mode.

Phase calibration is automatically disabled in global-chop mode.

#### 8.4.4 Power Modes

In both continuous-conversion and global-chop mode, there are three selectable power modes that allow scaling of power with bandwidth and performance: high-resolution (HR) mode, low-power (LP) mode, and very-low-power (VLP) mode. The mode is selected by the PWR[1:0] bits in the CLOCK register. See the [Recommended Operating Conditions](#) table for restrictions on the CLKIN frequency for each power mode.

#### 8.4.5 Standby Mode

Standby mode is a low-power state in which all channels are disabled, and the reference and other non-essential circuitry are powered down. This mode differs from completely powering down the device because the device retains its register settings. Enter standby mode by sending the STANDBY command (0022h). Stop toggling CLKIN when the device is in standby mode to minimize device power consumption. Exit standby mode by sending the WAKEUP command (0033h). After exiting standby mode, the modulators begin sampling the input signal after a modulator settling time of  $8 \times t_{MOD}$  when CLKIN begins toggling.

#### 8.4.6 Current-Detect Mode

Current-detect mode is a special mode that is helpful for applications requiring tamper detection when the equipment is in a low-power state. In this mode, the ADS131M08 collects a configurable number of samples at a nominal data rate of 2.7 kSPS and compares the absolute value of the results to a programmable threshold. If a configurable number of results exceed the threshold, the host is notified via a  $\overline{DRDY}$  falling edge and the device returns to standby mode. Enter current-detect mode by providing a negative pulse on  $\overline{SYNC/RESET}$  with a pulse duration less than  $t_{w(RSL)}$  when in standby mode. Current-detect mode can only be entered from standby mode.

The device uses a limited power operating mode to generate conversions in current-detect mode. The conversion results are only used for comparison by the internal digital threshold comparator and are not accessible by the host. The device uses an internal oscillator that enables the device to capture the data without the use of the external clock input. Do not toggle CLKIN when in current-detect mode to minimize device power

consumption. Do not place a capacitor on the REFIN pin if current-detect mode is used. Capacitance on this pin requires time to start up, and the resulting ADC conversions generated during current-detect mode are not valid when the voltage on the REFIN pin is charging.

Current-detect mode is configured in the CFG, THRESHLD\_MSB, and THRESHLD\_LSB registers. Enable and disable current-detect mode by toggling the CD\_EN bit in the CFG register. The THRESHLD\_MSB and THRESHLD\_LSB registers contain the CD\_THRSH[23:0] bits that represent the digital comparator threshold value during current detection.

The number of samples used for current detection are programmed by the CD\_LEN[2:0] bits in the CFG register. The number of samples used for current detection range from 128 to 3584.

The programmable values in CD\_NUM[2:0] configure the number of samples that must exceed the threshold for a detection to occur. The purpose of requiring multiple samples for detection is to control noisy values that may exceed the threshold, but do not represent a high enough power level to warrant action by the host. In summary, the conversion result must exceed the value programmed in CD\_THRSH[23:0] a number of times as represented by the value stored in CD\_NUM[2:0].

The device can be configured to notify the host based on any of the results from either individual channels, all channels, or any combination of channels. The CD\_ALLCH bit in the CFG register determines how many channels are required to exceed the programmed thresholds to trigger a current detection. When the bit is 1, all enabled channels are required to meet the current detection requirements in order for the host to be notified. If the bit is 0, any enabled channel triggers a current detection notification if the requirements are met. Enable and disable channels using the CHn\_EN bits in the CLK register to control which combination of channels must meet the requirements to trigger a current-detection notification.

[Figure 8-17](#) illustrates a flow chart depicting the current-detection process on the ADS131M08.

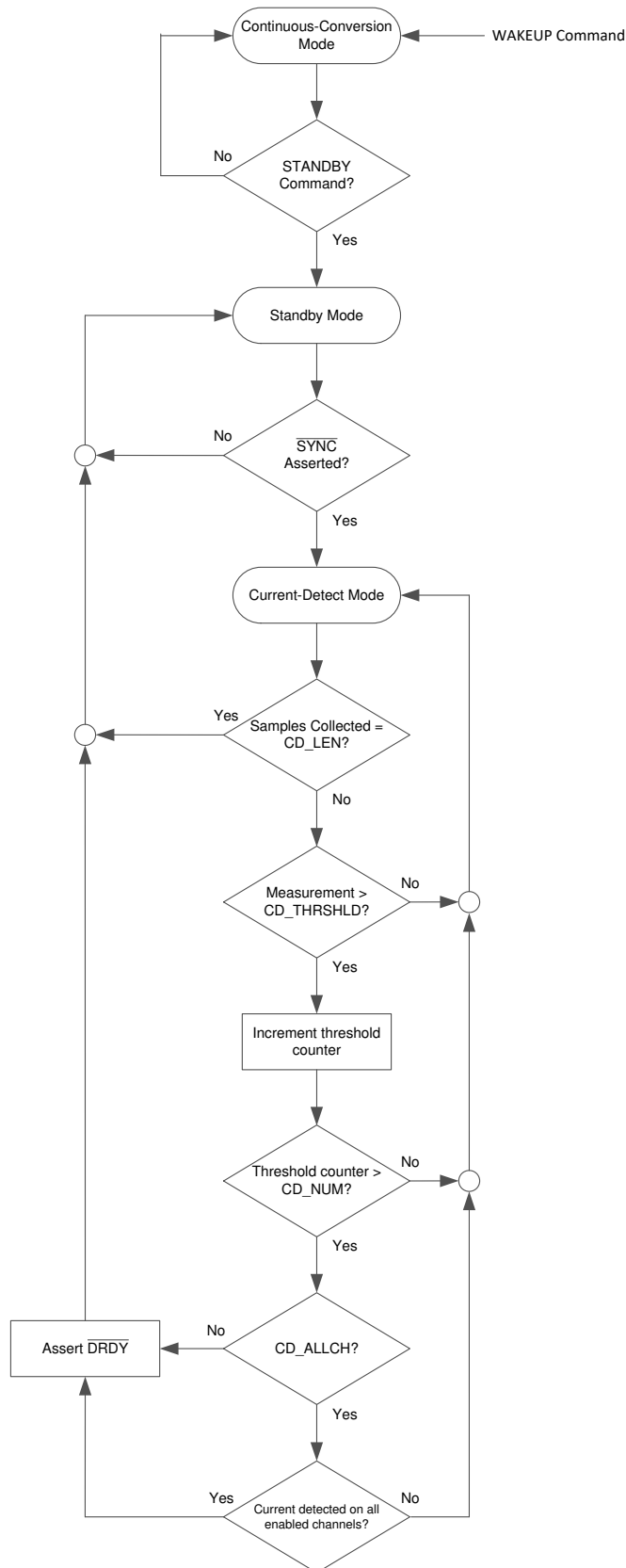


Figure 8-17. Current-Detect Mode Flow Chart

## 8.5 Programming

### 8.5.1 Interface

The ADS131M08 uses an SPI-compatible interface to configure the device and retrieve conversion data. The device always acts as an SPI slave; SCLK and  $\overline{CS}$  are inputs to the interface. The interface operates in SPI mode 1 where CPOL = 0 and CPHA = 1. In SPI mode 1, the SCLK idles low and data are launched or changed only on SCLK rising edges; data are latched or read by the master and slave on SCLK falling edges. The interface is full-duplex, meaning data can be sent and received simultaneously by the interface. The device includes the typical SPI signals: SCLK,  $\overline{CS}$ , DIN (MOSI), and DOUT (MISO). In addition, there are two other digital pins that provide additional functionality. The  $\overline{DRDY}$  pin serves as a flag to the host to indicate new conversion data are available. The  $\overline{SYNC/RESET}$  pin is a dual-function pin that allows synchronization of conversions to an external event and allows for a hardware device reset.

#### 8.5.1.1 Chip Select ( $\overline{CS}$ )

The  $\overline{CS}$  pin is an active low input signal that selects the device for communication. The device ignores any communication and DOUT is high impedance when  $\overline{CS}$  is held high. Hold  $\overline{CS}$  low for the duration of a communication frame to ensure proper communication. The interface is reset each time  $\overline{CS}$  is taken high.

#### 8.5.1.2 Serial Data Clock (SCLK)

The SCLK pin is an input that serves as the serial clock for the interface. Output data on the DOUT pin transition on the rising edge of SCLK and input data on DIN are latched on the falling edge of SCLK.

#### 8.5.1.3 Serial Data Input (DIN)

The DIN pin is the serial data input pin for the device. Serial commands are shifted in through the DIN pin by the device with each SCLK falling edge when the  $\overline{CS}$  pin is low.

#### 8.5.1.4 Serial Data Output (DOUT)

The DOUT pin is the serial data output pin for the device. The device shifts out command responses and ADC conversion data serially with each rising SCLK edge when the  $\overline{CS}$  pin is low. This pin assumes a high-impedance state when  $\overline{CS}$  is high.

#### 8.5.1.5 Data Ready ( $\overline{DRDY}$ )

The  $\overline{DRDY}$  pin is an active low output that indicates when new conversion data are ready in conversion mode or that the requirements are met for current detection when in current-detect mode. Connect the  $\overline{DRDY}$  pin to a digital input on the host to trigger periodic data retrieval in conversion mode.

The timing of  $\overline{DRDY}$  with respect to the sampling of a given channel on the ADS131M08 depends on the phase calibration setting of the channel and the state of the DRDY\_SEL[1:0] bits in the MODE register. Setting the DRDY\_SEL[1:0] bits to 00b configures  $\overline{DRDY}$  to assert when the channel with the largest positive phase calibration setting, or the most lagging, has a new conversion result. When the bits are 01b, the device asserts  $\overline{DRDY}$  each time any channel data are ready. Finally, setting the bits to either 10b or 11b configures the device to assert  $\overline{DRDY}$  when the channel with the most negative phase calibration setting, or the most leading, has new conversion data. Changing the DRDY\_SEL[1:0] bits has no effect on  $\overline{DRDY}$  behavior in global-chop mode because phase calibration is automatically disabled in global-chop mode.

The timing of the first  $\overline{DRDY}$  assertion after channels are enabled or after a synchronization pulse is provided depends on the phase calibration setting. If the channel that causes  $\overline{DRDY}$  to assert has a phase calibration setting less than zero, the first  $\overline{DRDY}$  assertion can be less than one sample period from the channel being enabled or the occurrence of the synchronization pulse. However,  $\overline{DRDY}$  asserts in the next sample period if the phase setting puts the output timing too close to the beginning of the sample period.

[Table 8-9](#) lists the phase calibration setting boundary at which  $\overline{DRDY}$  either first asserts within a sample period, or in the next sample period. If the setting for the channel configured to control  $\overline{DRDY}$  assertion is greater than the value listed in [Table 8-9](#) for each OSR,  $\overline{DRDY}$  asserts for the first time within a sample period of the channel being enabled or the synchronization pulse. If the phase setting value is equal to or more negative than the

value in [Table 8-9](#),  $\overline{\text{DRDY}}$  asserts in the following sample period. See the [Synchronization](#) section for more information about synchronization.

**Table 8-9. Phase Setting First  $\overline{\text{DRDY}}$  Assertion Boundary**

OSR	PHASE SETTING BOUNDARY	PHASE <sub>n</sub> [9:0] BIT SETTING BOUNDARY
128	-19	3EDh
256	-83	3ADh
512	-211	32Dh
1024	-467	22Dh
>1024	None	N/A

The DRDY\_HIZ bit in the MODE register configures the state of the  $\overline{\text{DRDY}}$  pin when deasserted. By default the bit is 0b, meaning the pin is actively driven high using a push-pull output stage. When the bit is 1b,  $\overline{\text{DRDY}}$  behaves like an open-drain digital output. Use a 100-k $\Omega$  pullup resistor to pull the pin high when  $\overline{\text{DRDY}}$  is not asserted.

The DRDY\_FMT bit in the MODE register determines the format of the  $\overline{\text{DRDY}}$  signal. When the bit is 0b, new data are indicated by  $\overline{\text{DRDY}}$  changing from high to low and remaining low until either all of the conversion data are shifted out of the device, or remaining low and going high briefly before the next time  $\overline{\text{DRDY}}$  transitions low. When the DRDY\_FMT bit is 1b, new data are indicated by a short negative pulse on the  $\overline{\text{DRDY}}$  pin. If the host does not read conversion data after the  $\overline{\text{DRDY}}$  pulse when DRDY\_FMT is 1b, the device skips a conversion result and does not provide another  $\overline{\text{DRDY}}$  pulse until the second following instance when data are ready because of how the pulse is generated. See the [Collecting Data for the First Time or After a Pause in Data Collection](#) section for more information about the behavior of  $\overline{\text{DRDY}}$  when data are not consistently read.

The  $\overline{\text{DRDY}}$  pulse is blocked when new conversions complete while conversion data are read. Therefore, avoid reading ADC data during the time where new conversions complete in order to achieve consistent  $\overline{\text{DRDY}}$  behavior.

#### 8.5.1.6 Conversion Synchronization or System Reset ( $\overline{\text{SYNC/RESET}}$ )

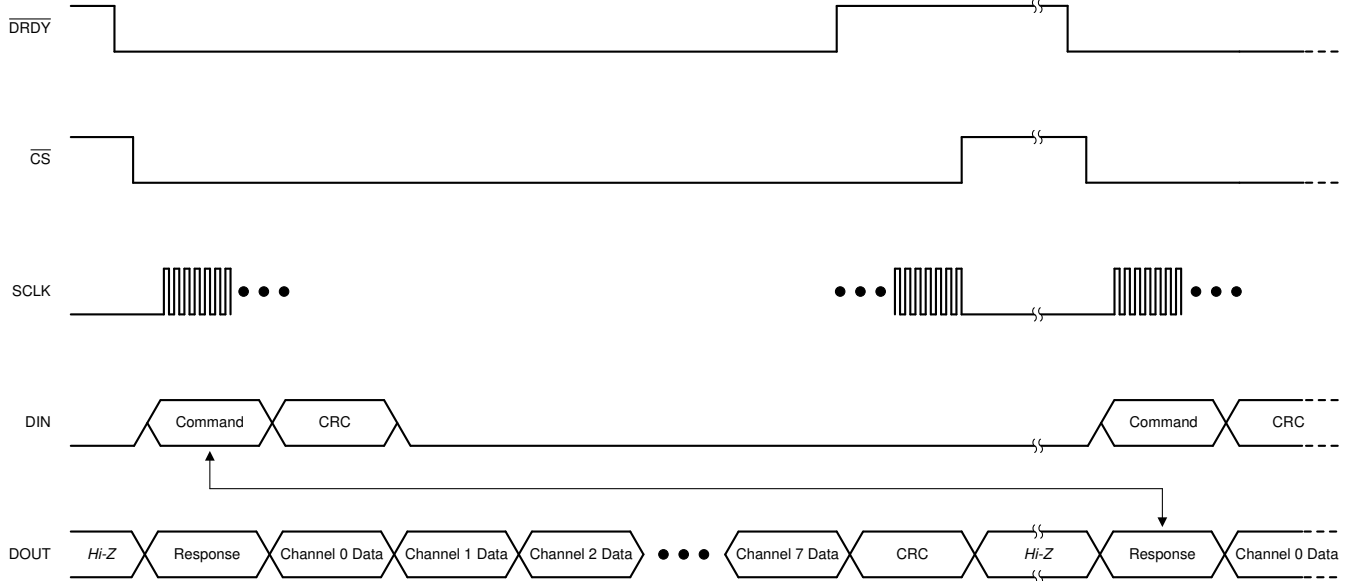
The  $\overline{\text{SYNC/RESET}}$  pin is a multi-function digital input pin that serves primarily to allow the host to synchronize conversions to an external process or to reset the device. See the [Synchronization](#) section for more details regarding the synchronization function. See the  [\$\overline{\text{SYNC/RESET}}\$  Pin](#) section for more details regarding how the device is reset.

#### 8.5.1.7 SPI Communication Frames

SPI communication on the ADS131M08 is performed in frames. Each SPI communication frame consists of several words. The word size is configurable as either 16 bits, 24 bits, or 32 bits by programming the WLENGTH[1:0] bits in the MODE register.

The ADS131M08 implements a timeout feature for the SPI communication. Enable or disable the timeout using the TIMEOUT bit in the MODE register. When enabled, the entire SPI frame (first SCLK to last SCLK) must complete within  $2^{15}$  CLKIN cycles otherwise the SPI will reset. This feature is provided as a means to recover SPI synchronization for cases where  $\overline{\text{CS}}$  is tied low.

The interface is full duplex, meaning that the interface is capable of transmitting data on DOUT while simultaneously receiving data on DIN. The input frame that the host sends on DIN always begins with a command. The first word on the output frame that the device transmits on DOUT always begins with the response to the command that was written on the previous input frame. The number of words in a command depends on the command provided. For most commands, there are ten words in a frame. On DIN, the host provides the command, the command CRC if input CRC is enabled or a word of zeros if input CRC is disabled, and eight additional words of zeros. Simultaneously on DOUT, the device outputs the response from the previous frame command, eight words of ADC data representing the eight ADC channels, and a CRC word. [Figure 8-18](#) illustrates a typical command frame structure.



**Figure 8-18. Typical Communication Frame**

There are some commands that require more than ten words. In the case of a read register (RREG) command where more than a single register is read, the response to the command contains the acknowledgment of the command followed by the register contents requested, which may require a larger frame depending on how many registers are read. See the [RREG \(010a aaaa annn nnnn\)](#) section for more details on the RREG command.

In the case of a write register (WREG) command where more than a single register is written, the frame extends to accommodate the additional data. See the [WREG \(011a aaaa annn nnnn\)](#) section for more details on the WREG command.

See the [Commands](#) section for a list of all valid commands and their corresponding responses on the ADS131M08.

Under special circumstances, a data frame can be shortened by the host. See the [Short SPI Frames](#) section for more information about artificially shortening communication frames.

### 8.5.1.8 SPI Communication Words

An SPI communication frame with the ADS131M08 is made of words. Words on DIN can contain commands, register settings during a register write, or a CRC of the input data. Words on DOUT can contain command responses, register settings during a register read, ADC conversion data, or CRC of the output data.

Words can be 16, 24, or 32 bits. The word size is configured by the WLENGTH[1:0] bits in the MODE register. The device defaults to a 24-bit word size. Commands, responses, CRC, and registers always contain 16 bits of actual data. These words are always most significant bit (MSB) aligned, and therefore the least significant bits (LSBs) are zero-padded to accommodate 24- or 32-bit word sizes. ADC conversion data are nominally 24 bits. The ADC truncates its eight LSBs when the device is configured for 16-bit communication. There are two options for 32-bit communication available for ADC data that are configured by the WLENGTH[1:0] bits in the MODE register. Either the ADC data can be LSB padded with zeros or the data can be MSB sign extended.

### 8.5.1.9 ADC Conversion Data

The device provides conversion data for each channel at the data rate. The time when data are available relative to DRDY asserting is determined by the channel phase calibration setting and the DRDY\_SEL[1:0] bits in the MODE register when in continuous-conversion mode. All data are available immediately following DRDY assertion in global-chop mode. The conversion status of all channels is available as the DRDY[7:0] bits in the STATUS register. The STATUS register content is automatically output as the response to the NULL command.

Conversion data are 24 bits. The data LSBs are truncated when the device operates with a 16-bit word size. The LSBs are zero padded or the MSBs sign extended when operating with a 32-bit word size depending on the setting of the WLENGTH[1:0] bits in the MODE register.

Data are given in binary two's complement format. Use Equation 10 to calculate the size of one code (LSB).

$$1 \text{ LSB} = (2.4 / \text{Gain}) / 2^{24} = +\text{FSR} / 2^{23} \tag{10}$$

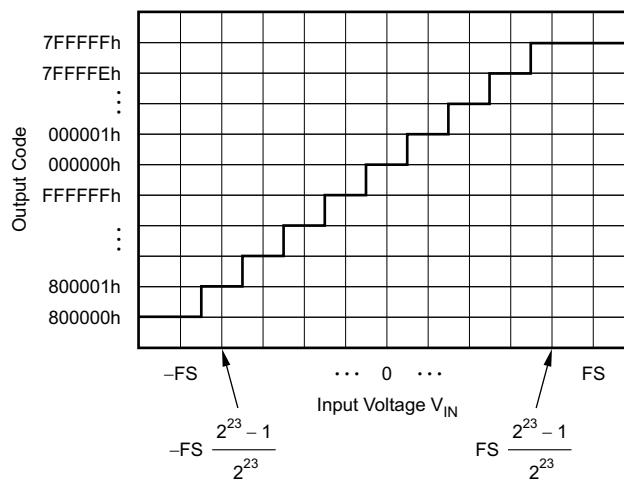
A positive full-scale input  $V_{IN} \geq +\text{FSR} - 1 \text{ LSB} = 1.2 / \text{Gain} - 1 \text{ LSB}$  produces an output code of 7FFFFFFh and a negative full-scale input ( $V_{IN} \leq -\text{FSR} = -1.2 / \text{Gain}$ ) produces an output code of 800000h. The output clips at these codes for signals that exceed full-scale.

Table 8-10 summarizes the ideal output codes for different input signals.

**Table 8-10. Ideal Output Code versus Input Signal**

INPUT SIGNAL, $V_{IN} = V_{AINP} - V_{AINN}$	IDEAL OUTPUT CODE
$\geq \text{FSR} (2^{23} - 1) / 2^{23}$	7FFFFFFh
$\text{FSR} / 2^{23}$	000001h
0	000000h
$-\text{FSR} / 2^{23}$	FFFFFFh
$\leq -\text{FSR}$	800000h

Figure 8-19 shows the mapping of the analog input signal to the output codes.



**Figure 8-19. Code Transition Diagram**

**8.5.1.9.1 Collecting Data for the First Time or After a Pause in Data Collection**

Take special precaution when collecting data for the first time or when beginning to collect data again after a pause. The internal mechanism that outputs data contains a first-in-first-out (FIFO) buffer that can store two samples of data per channel at a time. The DRDY flag for each channel in the STATUS register remains set until both samples for each channel are read from the device. This condition is not obvious under normal circumstances when the host is reading each consecutive sample from the device. In that case, the samples are cleared from the device each time new data are generated so the DRDY flag for each channel in the STATUS register is cleared with each read. However, both slots of the FIFO are full if a sample is missed or if data are not read for a period of time. Either strobe the SYNC/RESET pin to re-synchronize conversions and clear the FIFOs, or quickly read two data packets when data are read for the first time or after a gap in reading data. This process ensures predictable DRDY pin behavior. See the *Synchronization* section for information about the synchronization feature. These methods do not need to be employed if each channel data was read for each output data period from when the ADC was enabled.



Figure 8-20 depicts an example of how to collect data after a period of the ADC running, but where no data are being retrieved. In this instance, the SYNC/RESET pin is used to clear the internal FIFOs and realign the ADS131M08 output data with the host.

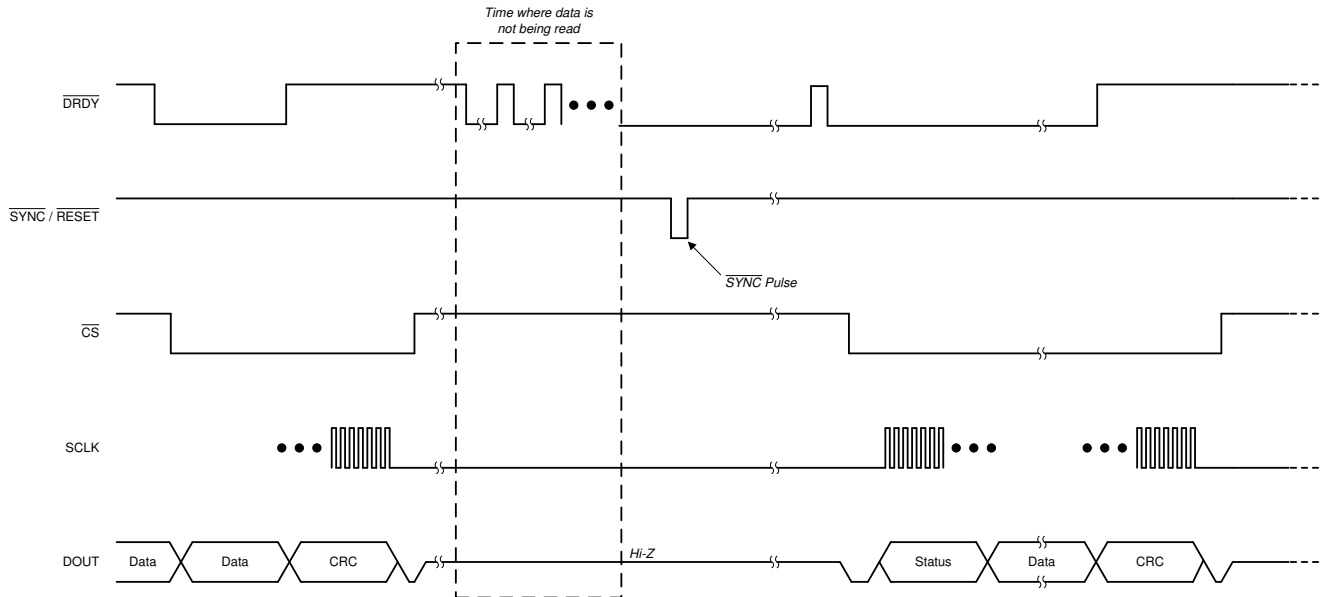


Figure 8-20. Collecting Data After a Pause in Data Collection Using the SYNC/RESET Pin

Another functionally equivalent method for clearing the FIFO after a pause in collecting data is to begin by reading two samples in quick succession. Figure 8-21 depicts this method. This example shows when the DRDY\_FMT bit in the MODE register is set to 0b indicating DRDY is a level output. There is a very narrow pulse on DRDY immediately after the first set of data are shifted out of the device. This pulse may be too narrow for some microcontrollers to detect. Therefore, do not rely upon this pulse but instead immediately read out the second data set after the first data set. The host operates synchronous to the device after the second word is read from the device.

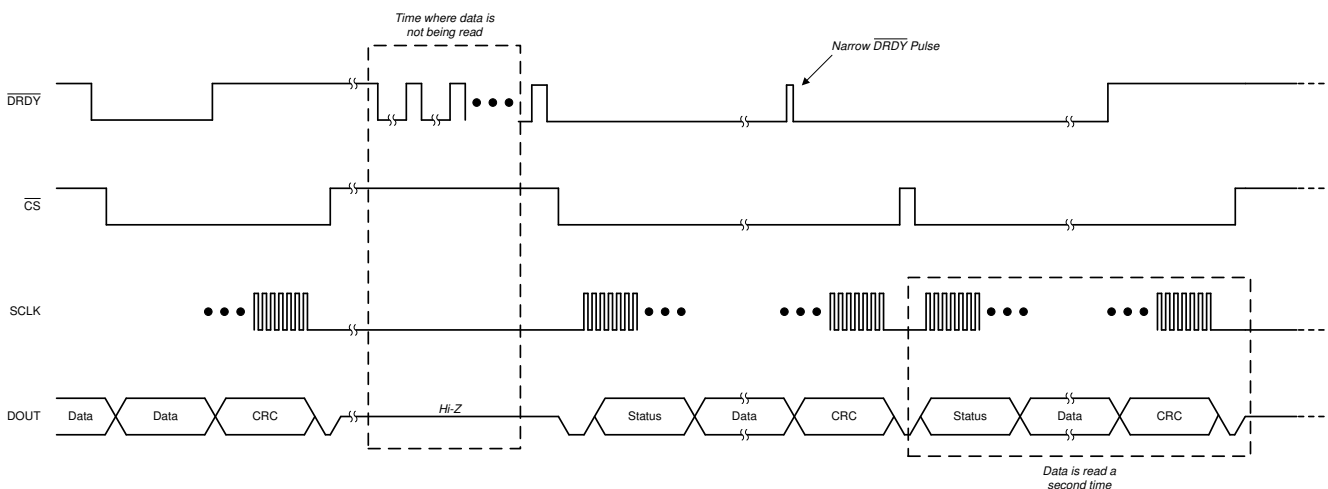


Figure 8-21. Collecting Data After a Pause in Data Collection by Reading Data Twice

### 8.5.1.10 Commands

Table 8-11 contains a list of all valid commands, a short description of their functionality, their binary command word, and the expected response that appears in the following frame.

**Table 8-11. Command Definitions**

COMMAND	DESCRIPTION	COMMAND WORD	RESPONSE
NULL	No operation	0000 0000 0000 0000	STATUS register
RESET	Reset the device	0000 0000 0001 0001	1111 1111 0010 1000
STANDBY	Place the device into standby mode	0000 0000 0010 0010	0000 0000 0010 0010
WAKEUP	Wake the device from standby mode to conversion mode	0000 0000 0011 0011	0000 0000 0011 0011
LOCK	Lock the interface such that only the NULL, UNLOCK, and RREG commands are valid	0000 0101 0101 0101	0000 0101 0101 0101
UNLOCK	Unlock the interface after the interface is locked	0000 0110 0101 0101	0000 0110 0101 0101
RREG	Read <i>nnn nnnn</i> plus 1 registers beginning at address <i>aaaa a</i>	101a <i>aaaa annn nnnn</i>	<i>dddd dddd dddd dddd</i> or <i>111a aaa annn nnnn</i> (1)
WREG	Write <i>nnn nnnn</i> plus 1 registers beginning at address <i>aaaa a</i>	011a <i>aaaa annn nnnn</i>	010a <i>aaaa ammm mmmm</i> (2)

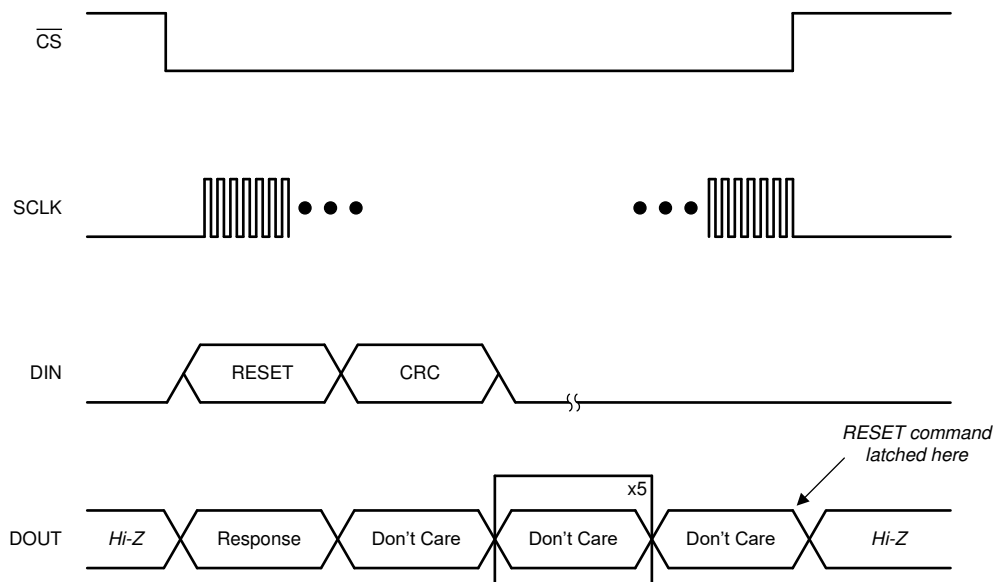
- (1) When *nnn nnnn* is 0, the response is the requested register data *dddd dddd dddd dddd*. When *nnn nnnn* is greater than 0, the response begins with *111a aaa annn nnnn*, followed by the register data.
- (2) In this case *mmm mmmm* represents the number of registers that are actually written minus one. This value may be less than *nnn nnnn* in some cases.

**8.5.1.10.1 NULL (0000 0000 0000 0000)**

The NULL command is the *no-operation* command that results in no registers read or written, and the state of the device remains unchanged. The intended use case for the NULL command is during ADC data capture. The command response for the NULL command is the contents of the STATUS register. Any invalid command also gives the NULL response.

**8.5.1.10.2 RESET (0000 0000 0001 0001)**

The RESET command resets the ADC to its register defaults. The command is latched by the device at the end of the frame. A reset occurs immediately after the command is latched. The host must wait for *t<sub>REGACQ</sub>* after reset before communicating with the device to ensure the registers have assumed their default settings. The device sends an acknowledgment of FF28h when the ADC is properly RESET. The device responds with 0011h if the command word is sent but the frame is not completed and therefore the device is not reset. See the [RESET Command](#) section for more information regarding the operation of the reset command. [Figure 8-22](#) illustrates a properly sent RESET command frame.



**Figure 8-22. RESET Command Frame**

**8.5.1.10.3 STANDBY (0000 0000 0010 0010)**

The STANDBY command places the device in a low-power standby mode. The command is latched by the device at the end of the frame. The device enters standby mode immediately after the command is latched. See the [Standby Mode](#) section for more information. This command has no effect if the device is already in standby mode.

**8.5.1.10.4 WAKEUP (0000 0000 0011 0011)**

The WAKEUP command returns the device to conversion mode from standby mode. This command has no effect if the device is already in conversion mode.

**8.5.1.10.5 LOCK (0000 0101 0101 0101)**

The LOCK command locks the interface, preventing the device from accidentally latching unwanted commands that can change the state of the device. When the interface is locked, the device only responds to the NULL, RREG, and UNLOCK commands. The device continues to output conversion data even when locked.

**8.5.1.10.6 UNLOCK (0000 0110 0110 0110)**

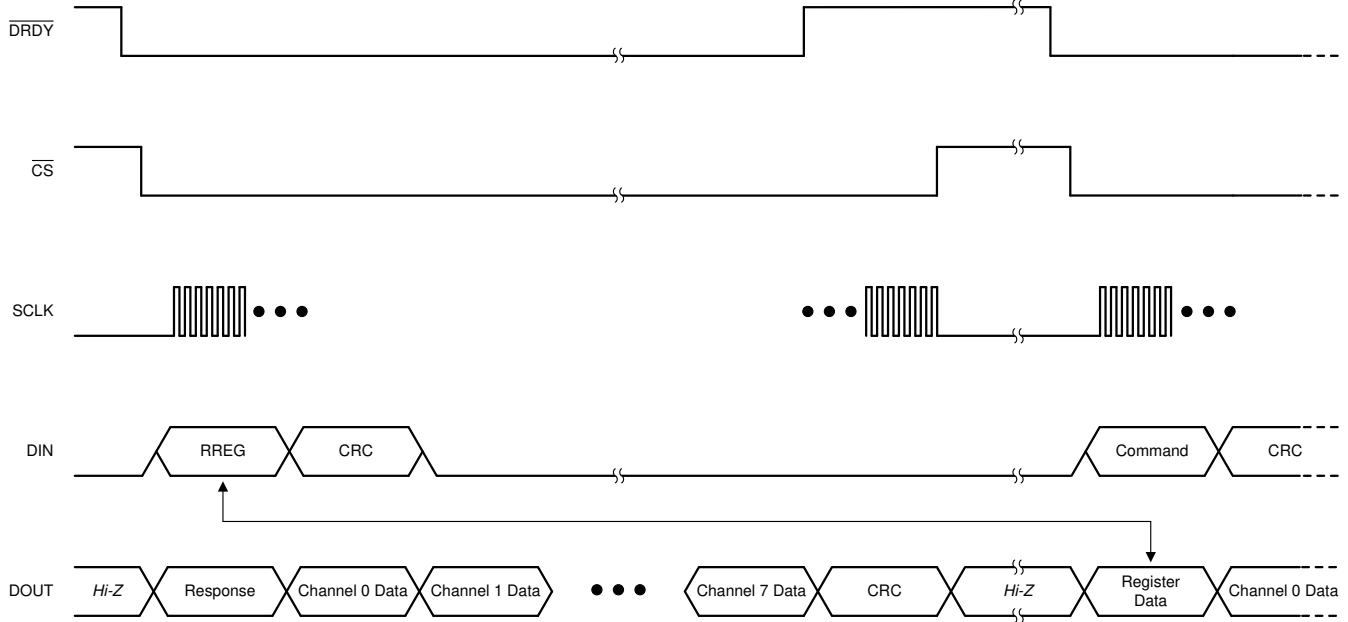
The UNLOCK command unlocks the interface if previously locked by the LOCK command.

**8.5.1.10.7 RREG (101a aaaa annn nnnn)**

The RREG is used to read the device registers. The binary format of the command word is 101a aaaa annn nnnn, where a aaaa a is the binary address of the register to begin reading and nnn nnnn is the unsigned binary number of consecutive registers to read minus one. There are two cases for reading registers on the ADS131M08. When reading a single register (nnn nnnn = 000 0000b), the device outputs the register contents in the command response word of the following frame. If multiple registers are read using a single command (nnn nnnn > 000 0000b), the device outputs the requested register data sequentially in order of addresses.

**8.5.1.10.7.1 Reading a Single Register**

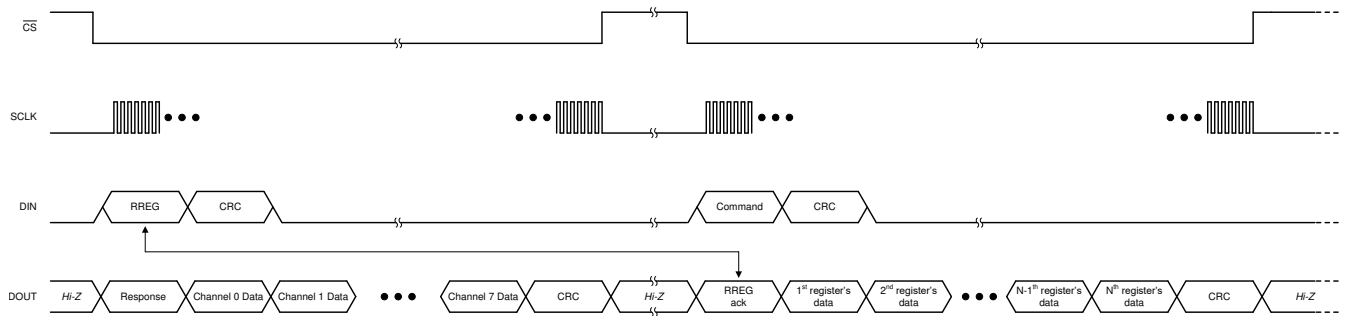
Read a single register from the device by specifying *nnn nnnn* as zero in the RREG command word. As with all SPI commands on the ADS131M08, the response occurs on the output in the frame following the command. Instead of a unique acknowledgment word, the response word is the contents of the register whose address is specified in the command word. [Figure 8-23](#) shows an example of reading a single register.



**Figure 8-23. Reading a Single Register**

**8.5.1.10.7.2 Reading Multiple Registers**

Multiple registers are read from the device when *nnn nnnn* is specified as a number greater than zero in the RREG command word. Like all SPI commands on the ADS131M08, the response occurs on the output in the frame following the command. Instead of a single acknowledgment word, the response spans multiple words in order to shift out all requested registers. Continue toggling SCLK to accommodate outputting the entire data stream. ADC conversion data are not output in the frame following an RREG command to read multiple registers. [Figure 8-24](#) shows an example of reading multiple registers.



**Figure 8-24. Reading Multiple Registers**

### 8.5.1.10.8 WREG (011a aaaa annn nnnn)

The WREG command allows writing an arbitrary number of contiguous device registers. The binary format of the command word is 011a aaaa annn nnnn, where a aaaa a is the binary address of the register to begin writing and nnn nnnn is the unsigned binary number of consecutive registers to write minus one. Send the data to be written immediately following the command word. Write the intended contents of each register into individual words, MSB aligned.

If the input CRC is enabled, write this CRC after the register data. The registers are written to the device as they are shifted into DIN. Therefore, a CRC error does not prevent an erroneous value from being written to a register. An input CRC error during a WREG command sets the CRC\_ERR bit in the STATUS register.

The device ignores writes to read-only registers or to out-of-bounds addresses. Gaps in the register map address space are still included in the parameter nnn nnnn, but are not writable so no change is made to them. The response to the WREG command that occurs in the following frame appears as 010a aaaa ammm mmmm where mmm mmmm is the number of registers actually written minus one. This number can be checked by the host against nnn nnnn to ensure the expected number of registers are written.

Figure 8-25 shows a typical WREG sequence. In this example, the number of registers to write is larger than the number of ADC channels and, therefore, the frame is extended beyond the ADC channels and output CRC word. Ensure all of the ADC data and output CRC are shifted out during each transaction where new data are available. Therefore, the frame must be extended beyond the number of words required to send the register data in some cases.

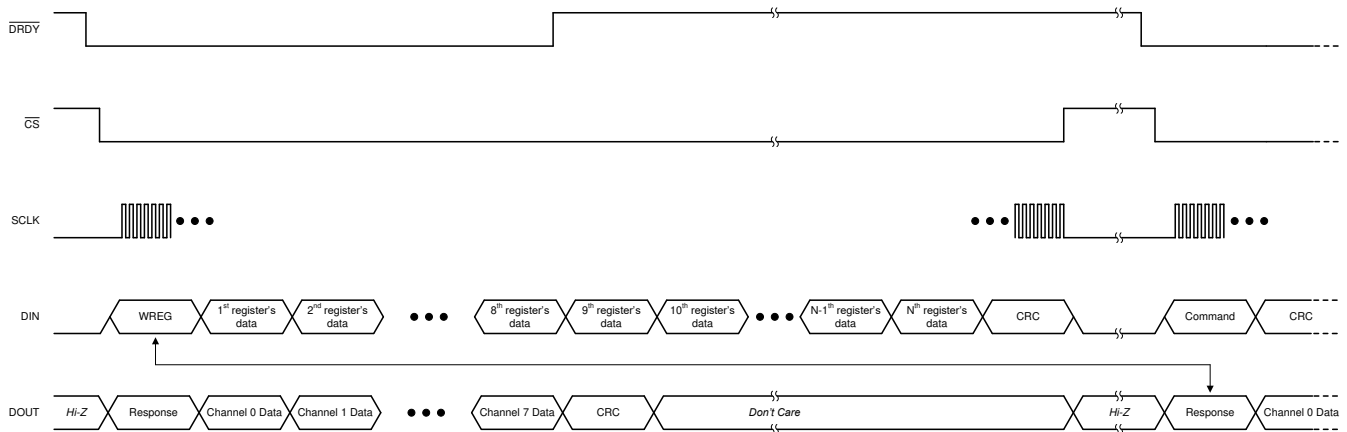


Figure 8-25. Writing Registers

### 8.5.1.11 Short SPI Frames

The SPI frame can be shortened to only send commands and receive responses if the ADCs are disabled and no ADC data are being output by the device. Read out all of the expected output data words from each sample period if the ADCs are enabled. Reading all of the data output with each frame ensures predictable DRDY pin behavior. If reading out all the data on each output data period is not feasible, see the [Collecting Data for the First Time or After a Pause in Data Collection](#) section on how to begin reading data again after a pause from when the ADCs were last enabled.

A short frame is not possible when using the RESET command. A full frame must be provided for a device reset to take place when providing the RESET command.

### 8.5.2 Synchronization

Synchronization can be performed by the host to ensure the ADC conversions are synchronized to an external event. For example, synchronization can realign the data capture to the expected timing of the host if a glitch on the clock causes the host and device to become out of synchronization.

Provide a negative pulse on the  $\overline{\text{SYNC/RESET}}$  pin with a duration less than  $t_{w(\text{RSL})}$  but greater than a CLKIN period to trigger synchronization. The device internally compares the leading negative edge of the pulse to its internal clock that tracks the data rate. The internal data rate clock has timing equivalent to the  $\overline{\text{DRDY}}$  pin if configured to assert with a phase calibration setting of 0b. If the negative edge on  $\overline{\text{SYNC/RESET}}$  aligns with the internal data rate clock, the device is determined to be synchronized and therefore no action is taken. If there is misalignment, the digital filters on the device are reset to be synchronized with the  $\overline{\text{SYNC/RESET}}$  pulse. Conversions are immediately restarted when the  $\overline{\text{SYNC/RESET}}$  pin is toggled in global-chop mode.

The phase calibration settings on all channels are retained during synchronization. Thus, channels with non-zero phase calibration settings generate conversion results less than a data rate period after the synchronization event occurs. However, the results can be corrupted and are not settled until the respective channels have at least three conversion cycles for the sinc<sup>3</sup> filter to settle.

## 8.6 Registers

Table 8-12 lists the ADS131M08 registers. All register offset addresses not listed in Table 8-12 should be considered as reserved locations and the register contents should not be modified.

**Table 8-12. Register Map**

ADDRESS	REGISTER	RESET VALUE	BIT 15	BIT 14	BIT 13	BIT 12	BIT 11	BIT 10	BIT 9	BIT 8
			BIT 7	BIT 6	BIT 5	BIT 4	BIT 3	BIT 2	BIT 1	BIT 0
<b>DEVICE SETTINGS AND INDICATORS (Read-Only Registers)</b>										
00h	ID	28xxh	RESERVED				CHANCNT[3:0]			
			RESERVED							
01h	STATUS	0500h	LOCK	F_RESYNC	REG_MAP	CRC_ERR	CRC_TYPE	RESET	WLENGTH[1:0]	
			DRDY7	DRDY6	DRDY5	DRDY4	DRDY3	DRDY2	DRDY1	DRDY0
<b>GLOBAL SETTINGS ACROSS CHANNELS</b>										
02h	MODE	0510h	RESERVED		REGCRC_EN	RX_CRC_EN	CRC_TYPE	RESET	WLENGTH[1:0]	
			RESERVED				TIMEOUT	DRDY_SEL[1:0]		DRDY_HIz
03h	CLOCK	FF0Eh	CH7_EN	CH6_EN	CH5_EN	CH4_EN	CH3_EN	CH2_EN	CH1_EN	CH0_EN
			RESERVED				OSR[2:0]		PWR[1:0]	
04h	GAIN1	0000h	RESERVED		PGAGAIN3[2:0]		RESERVED		PGAGAIN2[2:0]	
			RESERVED		PGAGAIN1[2:0]		RESERVED		PGAGAIN0[2:0]	
05h	GAIN2	0000h	RESERVED		PGAGAIN7[2:0]		RESERVED		PGAGAIN6[2:0]	
			RESERVED		PGAGAIN5[2:0]		RESERVED		PGAGAIN4[2:0]	
06h	CFG	0600h	RESERVED				GC_DLY[3:0]			GC_EN
			CD_ALLCH	CD_NUM[2:0]		CD_LEN[2:0]		CD_EN		
07h	THRS_HLDS_MSB	0000h	CD_TH_MSB[15:8]							
			CD_TH_MSB[7:0]							
08h	THRS_HLDS_LSB	0000h	RESERVED				DCBLOCK[3:0]			
<b>CHANNEL-SPECIFIC SETTINGS</b>										
09h	CH0_CFG	0000h	PHASE0[9:2]							
			PHASE0[1:0]		RESERVED				DCBLK0_DIS0	MUX0[1:0]
0Ah	CH0_OCAL_MSB	0000h	OCAL0_MSB[15:8]							
			OCAL0_MSB[7:0]							
0Bh	CH0_OCAL_LSB	0000h	OCAL0_LSB[7:0]							
			RESERVED							
0Ch	CH0_GCAL_MSB	8000h	GCAL0_MSB[15:8]							
			GCAL0_MSB[7:0]							
0Dh	CH0_GCAL_LSB	0000h	GCAL0_LSB[7:0]							
			RESERVED							
0Eh	CH1_CFG	0000h	PHASE1[9:2]							
			PHASE1[1:0]		RESERVED				DCBLK1_DIS0	MUX1[1:0]
0Fh	CH1_OCAL_MSB	0000h	OCAL1_MSB[15:8]							
			OCAL1_MSB[7:0]							
10h	CH1_OCAL_LSB	0000h	OCAL1_LSB[7:0]							
			RESERVED							
11h	CH1_GCAL_MSB	8000h	GCAL1_MSB[15:8]							
			GCAL1_MSB[7:0]							
12h	CH1_GCAL_LSB	0000h	GCAL1_LSB[7:0]							
			RESERVED							
13h	CH2_CFG	0000h	PHASE2[9:2]							
			PHASE2[1:0]		RESERVED				DCBLK2_DIS0	MUX2[1:0]
14h	CH2_OCAL_MSB	0000h	OCAL2_MSB[15:8]							
			OCAL2_MSB[7:0]							
15h	CH2_OCAL_LSB	0000h	OCAL2_LSB[7:0]							
			RESERVED							
16h	CH2_GCAL_MSB	8000h	GCAL2_MSB[15:8]							
			GCAL2_MSB[7:0]							
17h	CH2_GCAL_LSB	0000h	GCAL2_LSB[7:0]							
			RESERVED							

**Table 8-12. Register Map (continued)**

ADDRESS	REGISTER	RESET VALUE	BIT 15	BIT 14	BIT 13	BIT 12	BIT 11	BIT 10	BIT 9	BIT 8	
			BIT 7	BIT 6	BIT 5	BIT 4	BIT 3	BIT 2	BIT 1	BIT 0	
18h	CH3_CFG	0000h	PHASE3[9:2]								
			PHASE3[1:0]			RESERVED			DCBLK3_DIS0	MUX3[1:0]	
19h	CH3_OCAL_MSB	0000h	OCAL3_MSB[15:8]								
			OCAL3_MSB[7:0]								
1Ah	CH3_OCAL_LSB	0000h	OCAL3_LSB[7:0]								
			RESERVED								
1Bh	CH3_GCAL_MSB	8000h	GCAL3_MSB[15:8]								
			GCAL3_MSB[7:0]								
1Ch	CH3_GCAL_LSB	0000h	GCAL3_LSB[7:0]								
			RESERVED								
1Dh	CH4_CFG	0000h	PHASE4[9:2]								
			PHASE4[1:0]			RESERVED			DCBLK4_DIS0	MUX4[1:0]	
1Eh	CH4_OCAL_MSB	0000h	OCAL4_MSB[15:8]								
			OCAL4_MSB[7:0]								
1Fh	CH4_OCAL_LSB	0000h	OCAL4_LSB[7:0]								
			RESERVED								
20h	CH4_GCAL_MSB	8000h	GCAL4_MSB[15:8]								
			GCAL4_MSB[7:0]								
21h	CH4_GCAL_LSB	0000h	GCAL4_LSB[7:0]								
			RESERVED								
22h	CH5_CFG	0000h	PHASE5[9:2]								
			PHASE5[1:0]			RESERVED			DCBLK5_DIS0	MUX5[1:0]	
23h	CH5_OCAL_MSB	0000h	OCAL5_MSB[15:8]								
			OCAL5_MSB[7:0]								
24h	CH5_OCAL_LSB	0000h	OCAL5_LSB[7:0]								
			RESERVED								
25h	CH5_GCAL_MSB	8000h	GCAL5_MSB[15:8]								
			GCAL5_MSB[7:0]								
26h	CH5_GCAL_LSB	0000h	GCAL5_LSB[7:0]								
			RESERVED								
27h	CH6_CFG	0000h	PHASE6[9:2]								
			PHASE6[1:0]			RESERVED			DCBLK6_DIS0	MUX6[1:0]	
28h	CH6_OCAL_MSB	0000h	OCAL6_MSB[15:8]								
			OCAL6_MSB[7:0]								
29h	CH6_OCAL_LSB	0000h	OCAL6_LSB[7:0]								
			RESERVED								
2Ah	CH6_GCAL_MSB	8000h	GCAL6_MSB[15:8]								
			GCAL6_MSB[7:0]								
2Bh	CH6_GCAL_LSB	0000h	GCAL6_LSB[7:0]								
			RESERVED								
2Ch	CH7_CFG	0000h	PHASE7[9:2]								
			PHASE7[1:0]			RESERVED			DCBLK7_DIS0	MUX7[1:0]	
2Dh	CH7_OCAL_MSB	0000h	OCAL7_MSB[15:8]								
			OCAL7_MSB[7:0]								
2Eh	CH7_OCAL_LSB	0000h	OCAL7_LSB[7:0]								
			RESERVED								
2Fh	CH7_GCAL_MSB	8000h	GCAL7_MSB[15:8]								
			GCAL7_MSB[7:0]								
30h	CH7_GCAL_LSB	0000h	GCAL7_LSB[7:0]								
			RESERVED								
3Eh	REGMAP_CRC	0000h	REG_CRC[7:0]								
3Fh	RESERVED	0000h	RESERVED								
			RESERVED								



Complex bit access types are encoded to fit into small table cells. [Table 8-13](#) shows the codes that are used for access types in this section.

**Table 8-13. Access Type Codes**

Access Type	Code	Description
Read Type		
R	R	Read
Write Type		
W	W	Write
Reset or Default Value		
<i>-n</i>		Value after reset or the default value

### 8.6.1 ID Register (Address = 00h) [reset = 28xxh]

The ID register is shown in [Figure 8-26](#) and described in [Table 8-14](#).

Return to the [Summary Table](#).

**Figure 8-26. ID Register**

15	14	13	12	11	10	9	8
RESERVED				CHANCNT[3:0]			
R-0010b				R-1000b			
7	6	5	4	3	2	1	0
RESERVED							
R-xxxxxxx							

**Table 8-14. ID Register Field Descriptions**

Bit	Field	Type	Reset	Description
15:12	RESERVED	R	0010b	Reserved always reads 0010b.
11:8	CHANCNT[3:0]	R	1000b	Channel count always reads 1000b.
7:0	RESERVED	R	xxxxxxx	Reserved Values are subject to change without notice

### 8.6.2 STATUS Register (Address = 01h) [reset = 0500h]

The STATUS register is shown in [Figure 8-27](#) and described in [Table 8-15](#).

Return to the [Summary Table](#).

**Figure 8-27. STATUS Register**

15		14		13		12		11		10		9		8	
LOCK		F_RESYNC		REG_MAP		CRC_ERR		CRC_TYPE		RESET		WLENGTH[1:0]			
R-0b		R-0b		R-0b		R-0b		R-0b		R-1b		R-01b			
7		6		5		4		3		2		1		0	
DRDY7		DRDY6		DRDY5		DRDY4		DRDY3		DRDY2		DRDY1		DRDY0	
R-0b		R-0b		R-0b		R-0b		R-0b		R-0b		R-0b		R-0b	

**Table 8-15. STATUS Register Field Descriptions**

Bit	Field	Type	Reset	Description
15	LOCK	R	0b	SPI interface lock indicator 0b = Unlocked (default) 1b = Locked
14	F_RESYNC	R	0b	ADC resynchronization indicator. Bit is set each time the ADC resynchronizes. 0b = No resynchronization (default) 1b = Resynchronization occurred
13	REG_MAP	R	0b	Register map CRC fault indicator 0b = No change in the register map CRC (default) 1b = Register map CRC changed
12	CRC_ERR	R	0b	SPI input CRC error indicator 0b = No CRC error (default) 1b = Input CRC error occurred
11	CRC_TYPE	R	0b	CRC type 0b = 16 bit CCITT (default) 1b = 16 bit ANSI
10	RESET	R	1b	Reset status 0b = Not reset 1b = Reset occurred (default)
9:8	WLENGTH[1:0]	R	01b	Data word length 00b = 16 bit 01b = 24 bits (default) 10b = 32 bits - zero padding 11b = 32 bits - sign extension for 24 bit ADC data
7	DRDY7	R	0b	Channel 7 ADC data available indicator 0b = No new data available 1b = New data are available
6	DRDY6	R	0b	Channel 6 ADC data available indicator 0b = No new data available 1b = New data are available

**Table 8-15. STATUS Register Field Descriptions (continued)**

Bit	Field	Type	Reset	Description
5	DRDY5	R	0b	Channel 5 ADC data available indicator 0b = No new data available 1b = New data are available
4	DRDY4	R	0b	Channel 4 ADC data available indicator 0b = No new data available 1b = New data are available
3	DRDY3	R	0b	Channel 3 ADC data available indicator 0b = No new data available 1b = New data are available
2	DRDY2	R	0b	Channel 2 ADC data available indicator 0b = No new data available 1b = New data are available
1	DRDY1	R	0b	Channel 1 ADC data available indicator 0b = No new data available 1b = New data are available
0	DRDY0	R	0b	Channel 0 ADC data available indicator 0b = No new data available 1b = New data are available

### 8.6.3 MODE Register (Address = 02h) [reset = 0510h]

The MODE register is shown in [Figure 8-28](#) and described in [Table 8-16](#).

Return to the [Summary Table](#).

**Figure 8-28. MODE Register**

15	14	13	12	11	10	9	8
RESERVED		REG_CRC_EN	RX_CRC_EN	CRC_TYPE	RESET	WLENGTH[1:0]	
R/W-00b		R/W-0b	R/W-0b	R/W-0b	R/W-1b	R/W-01b	
7	6	5	4	3	2	1	0
RESERVED			TIMEOUT	DRDY_SEL[1:0]		DRDY_HiZ	DRDY_FMT
R/W-000b			R/W-1b	R/W-00b		R/W-0b	R/W-0b

**Table 8-16. MODE Register Field Descriptions**

Bit	Field	Type	Reset	Description
15:14	RESERVED	R/W	00b	Reserved always reads 00b
13	REG_CRC_EN	R/W	0b	Register Map CRC enable 0b = Disabled (default) 1b = Enabled
12	RX_CRC_EN	R/W	0b	SPI input CRC enable 0b = Disabled (default) 1b = Enabled
11	CRC_TYPE	R/W	0b	SPI and register map CRC type 0b = 16-bit CCITT (default) 1b = 16-bit ANSI
10	RESET	R/W	1b	Reset write 0b to clear this bit in the STATUS register 0b = No reset 1b = Reset happened (default by definition)
9:8	WLENGTH[1:0]	R/W	01b	Data word length selection 00b = 16 bits 01b = 24 bits (default) 10b = 32 bits: LSB zero padding 11b = 32 bits: MSB sign extension
7:5	RESERVED	R/W	000b	Reserved always write 000b
4	TIMEOUT	R/W	1b	SPI Timeout enable 0b = Disabled 1b = Enabled (default)
3:2	DRDY_SEL[1:0]	R/W	00b	DRDY pin signal source selection 00b = Most lagging enabled channel (default) 01b = Logic OR of all the enabled channels 10b = Most leading enabled channel 11b = Most leading enabled channel

**Table 8-16. MODE Register Field Descriptions (continued)**

Bit	Field	Type	Reset	Description
1	DRDY_HiZ	R/W	0b	$\overline{\text{DRDY}}$ pin state when conversion data is not available 0b = Logic high (default) 1b = High impedance
0	DRDY_FMT	R/W	0b	$\overline{\text{DRDY}}$ signal format when conversion data is available 0b = Logic low (default) 1b = Low pulse with a fixed duration

### 8.6.4 CLOCK Register (Address = 03h) [reset = FF0Eh]

The CLOCK register is shown in [Figure 8-29](#) and described in [Table 8-17](#).

Return to the [Summary Table](#).

**Figure 8-29. CLOCK Register**

15		14		13		12		11		10		9		8	
CH7_EN	CH6_EN	CH5_EN	CH4_EN	CH3_EN	CH2_EN	CH1_EN	CH0_EN								
R/W-1b	R/W-1b	R/W-1b	R/W-1b	R/W-1b	R/W-1b	R/W-1b	R/W-1b								
7		6		5		4		3		2		1		0	
XTAL_DIS	EXTREF_EN	RESERVED						OSR[2:0]						PWR	
R/W-0b	R/W-0b	R/W-0b						R/W-011b						R/W-10b	

**Table 8-17. CLOCK Register Field Descriptions**

Bit	Field	Type	Reset	Description
15	CH7_EN	R/W	1b	Channel 7 ADC enable 0b = Disabled 1b = Enabled (default)
14	CH6_EN	R/W	1b	Channel 6 ADC enable 0b = Disabled 1b = Enabled (default)
13	CH5_EN	R/W	1b	Channel 5 ADC enable 0b = Disabled 1b = Enabled (default)
12	CH4_EN	R/W	1b	Channel 4 ADC enable 0b = Disabled 1b = Enabled (default)
11	CH3_EN	R/W	1b	Channel 3 ADC enable 0b = Disabled 1b = Enabled (default)
10	CH2_EN	R/W	1b	Channel 2 ADC enable 0b = Disabled 1b = Enabled (default)
9	CH1_EN	R/W	1b	Channel 1 ADC enable 0b = Disabled 1b = Enabled (default)
8	CH0_EN	R/W	1b	Channel 0 ADC enable 0b = Disabled 1b = Enabled (default)
7	XTAL_DIS	R/W	0b	Crystal oscillator disable 0b = Enabled (default) 1b = Disabled
6	EXTREF_EN	R/W	0b	External reference enable 0b = Disabled (default) 1b = Enabled

**Table 8-17. CLOCK Register Field Descriptions (continued)**

Bit	Field	Type	Reset	Description
5	RESERVED	R/W	0b	Reserved always write 0b
4:2	OSR[2:0]	R/W	011b	Modulator oversampling ratio selection  000b = 128 001b = 256 010b = 512 011b = 1024 (default) 100b = 2048 101b = 4096 110b = 8192 111b = 16256
1:0	PWR	R/W	10b	Power mode selection  00b = Very-low-power 01b = Low-power 10b = High-resolution (default) 11b = High-resolution



### 8.6.5 GAIN1 Register (Address = 4h) [reset = 0000h]

The GAIN1 register is shown in [Figure 8-30](#) and described in [Table 8-18](#).

Return to the [Summary Table](#).

**Figure 8-30. GAIN1 Register**

15	14	13	12	11	10	9	8
RESERVED	PGAGAIN3[2:0]			RESERVED	PGAGAIN2[2:0]		
R/W-0b	R/W-000b			R/W-0b	R/W-000b		
7	6	5	4	3	2	1	0
RESERVED	PGAGAIN1[2:0]			RESERVED	PGAGAIN0[2:0]		
R/W-0b	R/W-000b			R/W-0b	R/W-000b		

**Table 8-18. GAIN1 Register Field Descriptions**

Bit	Field	Type	Reset	Description
15	RESERVED	R/W	0b	Reserved always write 0b
14:12	PGAGAIN3[2:0]	R/W	000b	PGA gain selection for channel 3  000b = 1 (default) 001b = 2 010b = 4 011b = 8 100b = 16 101b = 32 110b = 64 111b = 128
11	RESERVED	R/W	0b	Reserved always write 0b
10:8	PGAGAIN2[2:0]	R/W	000b	PGA gain selection for channel 2  000b = 1 (default) 001b = 2 010b = 4 011b = 8 100b = 16 101b = 32 110b = 64 111b = 128
7	RESERVED	R/W	0b	Reserved always write 0b
6:4	PGAGAIN1[2:0]	R/W	000b	PGA gain selection for channel 1  000b = 1 (default) 001b = 2 010b = 4 011b = 8 100b = 16 101b = 32 110b = 64 111b = 128

**Table 8-18. GAIN1 Register Field Descriptions (continued)**

Bit	Field	Type	Reset	Description
3	RESERVED	R/W	0b	Reserved always write 0b
2:0	PGAGAIN0[2:0]	R/W	000b	PGA gain selection for channel 0  000b = 1 (default) 001b = 2 010b = 4 011b = 8 100b = 16 101b = 32 110b = 64 111b = 128

### 8.6.6 GAIN2 Register (Address = 5h) [reset = 0000h]

The GAIN2 register is shown in [Figure 8-31](#) and described in [Table 8-19](#).

Return to the [Summary Table](#).

**Figure 8-31. GAIN2 Register**

15	14	13	12	11	10	9	8
RESERVED	PGAGAIN7[2:0]			RESERVED	PGAGAIN6[2:0]		
R-0b	R/W-000b			R-0b	R/W-000b		
7	6	5	4	3	2	1	0
RESERVED	PGAGAIN5[2:0]			RESERVED	PGAGAIN4[2:0]		
R/W-0b	R/W-000b			R/W-0b	R/W-000b		

**Table 8-19. GAIN2 Register Field Descriptions**

Bit	Field	Type	Reset	Description
15	RESERVED	R/W	0b	Reserved always write 0b
14:12	PGAGAIN7[2:0]	R/W	000b	PGA gain selection for channel 7  000b = 1 001b = 2 010b = 4 011b = 8 100b = 16 101b = 32 110b = 64 111b = 128
11	RESERVED	R/W	0b	Reserved always write 0b
10:8	PGAGAIN6[2:0]	R/W	000b	PGA gain selection for channel 6  000b = 1 001b = 2 010b = 4 011b = 8 100b = 16 101b = 32 110b = 64 111b = 128
7	RESERVED	R/W	0b	Reserved always write 0b
6:4	PGAGAIN5[2:0]	R/W	000b	PGA gain selection for channel 5  000b = 1 001b = 2 010b = 4 011b = 8 100b = 16 101b = 32 110b = 64 111b = 128

**Table 8-19. GAIN2 Register Field Descriptions (continued)**

Bit	Field	Type	Reset	Description
3	RESERVED	R/W	0b	Reserved always write 0b
2:0	PGAGAIN4[2:0]	R/W	000b	PGA gain selection for channel 4  000b = 1 001b = 2 010b = 4 011b = 8 100b = 16 101b = 32 110b = 64 111b = 128

### 8.6.7 CFG Register (Address = 06h) [reset = 0600h]

The CFG register is shown in [Figure 8-32](#) and described in [Table 8-20](#).

Return to the [Summary Table](#).

**Figure 8-32. CFG Register**

15	14	13	12	11	10	9	8
RESERVED			GC_DLY[3:0]			GC_EN	
R/W-000b			R/W-0011b			R/W-0b	
7	6	5	4	3	2	1	0
CD_ALLCH		CD_NUM[2:0]		CD_LEN[2:0]		CD_EN	
R/W-0b		R/W-000b		R/W-000b		R/W-0b	

**Table 8-20. CFG Register Field Descriptions**

Bit	Field	Type	Reset	Description
15:13	RESERVED	R/W	000b	Reserved always write 000b
12:9	GC_DLY[3:0]	R/W	0011b	Global-chop delay selection Delay in modulator clock periods before measurement begins  0000b = 2 0001b = 4 0010b = 8 0011b = 16 (default) 0100b = 32 0101b = 64 0110b = 128 0111b = 256 1000b = 512 1001b = 1024 1010b = 2048 1011b = 4096 1100b = 8192 1101b = 16384 1110b = 32768 1111b = 65536
8	GC_EN	R/W	0b	Global-chop enable 0b = Disabled (default) 1b = Enabled
7	CD_ALLCH	R/W	0b	Current-detect channels selection Channels required to trigger current-detect 0b = Any channel (default) 1b = All channels

**Table 8-20. CFG Register Field Descriptions (continued)**

Bit	Field	Type	Reset	Description
6:4	CD_NUM[2:0]	R/W	000b	Number of current-detect exceeded thresholds selection Number of current-detect exceeded thresholds to trigger a detection 000b = 1 (default) 001b = 2 010b = 4 011b = 8 100b = 16 101b = 32 110b = 64 111b = 128
3:1	CD_LEN[2:0]	R/W	000b	Current-detect measurement length selection Current-detect measurement length in conversion periods 000b = 128 (default) 001b = 256 010b = 512 011b = 768 100b = 1280 101b = 1792 110b = 2560 111b = 3584
0	CD_EN	R/W	0b	Current-detect mode enable 0b = Disabled (default) 1b = Enabled

### 8.6.8 THRSHLD\_MSB Register (Address = 07h) [reset = 0000h]

The THRSHLD\_MSB register is shown in [Figure 8-33](#) and described in [Table 8-21](#).

Return to the [Summary Table](#).

**Figure 8-33. THRSHLD\_MSB Register**

15	14	13	12	11	10	9	8
CD_TH_MSB[23:16]							
R/W-0000000000000000b							
7	6	5	4	3	2	1	0
CD_TH_MSB[15:8]							
R/W-0000000000000000b							

**Table 8-21. THRSHLD\_MSB Register Field Descriptions**

Bit	Field	Type	Reset	Description
15:0	CD_TH_MSB[23:8]	R/W	00000000 00000000b	Current-detect mode threshold register bits [23:8]. Value provided in two's complement format.

### 8.6.9 THRSHLD\_LSB Register (Address = 08h) [reset = 0000h]

The THRSHLD\_LSB register is shown in [Figure 8-34](#) and described in [Table 8-22](#).

Return to the [Summary Table](#).

**Figure 8-34. THRSHLD\_LSB Register**

15	14	13	12	11	10	9	8
CD_TH_LSB[7:0]							
R/W-00000000b							
7	6	5	4	3	2	1	0
RESERVED				DCBLOCK[3:0]			
R-0000b				R/W-0000b			

**Table 8-22. THRSHLD\_LSB Register Field Descriptions**

Bit	Field	Type	Reset	Description
15:8	CD_TH_LSB[7:0]	R/W	00000000b	Current-detect mode threshold register bits [7:0] Value provided in two's complement format
7:4	RESERVED	R	0000b	Reserved always reads 0000b
3:0	DCBLOCK[3:0]	R/W	0000b	DC Block filter setting See <a href="#">Table 8-4</a> for details

**8.6.10 CH0\_CFG Register (Address = 09h) [reset = 0000h]**

The CH0\_CFG register is shown in [Figure 8-35](#) and described in [Table 8-23](#).

Return to the [Summary Table](#).

**Figure 8-35. CH0\_CFG Register**

15	14	13	12	11	10	9	8
PHASE0[9:2]							
R/W-0000000000b							
7	6	5	4	3	2	1	0
PHASE0[1:0]		RESERVED			DCBLK0_DIS	MUX0[1:0]	
R/W-0000000000b		R-000b			R/W-0b	R/W-00b	

**Table 8-23. CH0\_CFG Register Field Descriptions**

Bit	Field	Type	Reset	Description
15:6	PHASE0[9:0]	R/W	0000000000b	Channel 0 phase delay Phase delay in modulator clock cycles provided in two's complement format. See <a href="#">Table 8-5</a> for details.
5:3	RESERVED	R	000b	Reserved always reads 000b
2	DCBLK0_DIS	R/W	0b	Channel 0 DC Block filter disable 0b = Controlled by DCBLOCK[3:0] (default) 1b = Disabled for this channel
1:0	MUX0[1:0]	R/W	00b	Channel 0 input selection 00b = AIN0P and AIN0N (default) 01b = ADC inputs shorted 10b = Positive DC test signal 11b = Negative DC test signal



### 8.6.11 CH0\_OCAL\_MSB Register (Address = 0Ah) [reset = 0000h]

The CH0\_OCAL\_MSB register is shown in [Figure 8-36](#) and described in [Table 8-24](#).

Return to the [Summary Table](#).

**Figure 8-36. CH0\_OCAL\_MSB Register**

15	14	13	12	11	10	9	8
OCAL0_MSB[15:8]							
R/W-0000000000000000b							
7	6	5	4	3	2	1	0
OCAL0_MSB[7:0]							
R/W-0000000000000000b							

**Table 8-24. CH0\_OCAL\_MSB Register Field Descriptions**

Bit	Field	Type	Reset	Description
15:0	OCAL0_MSB[15:0]	R/W	00000000 00000000b	Channel 0 offset calibration register bits [23:8]. Value provided in two's complement format.

### 8.6.12 CH0\_OCAL\_LSB Register (Address = 0Bh) [reset = 0000h]

The CH0\_OCAL\_LSB register is shown in [Figure 8-37](#) and described in [Table 8-25](#).

Return to the [Summary Table](#).

**Figure 8-37. CH0\_OCAL\_LSB Register**

15	14	13	12	11	10	9	8
OCAL0_LSB[7:0]							
R/W-00000000b							
7	6	5	4	3	2	1	0
RESERVED							
R-00000000b							

**Table 8-25. CH0\_OCAL\_LSB Register Field Descriptions**

Bit	Field	Type	Reset	Description
15:8	OCAL0_LSB[7:0]	R/W	00000000b	Channel 0 offset calibration register bits [7:0]. Value provided in two's complement format.
7:0	RESERVED	R	00000000b	Reserved always reads 00000000b

### 8.6.13 CH0\_GCAL\_MSB Register (Address = 0Ch) [reset = 8000h]

The CH0\_GCAL\_MSB register is shown in [Figure 8-38](#) and described in [Table 8-26](#).

Return to the [Summary Table](#).

**Figure 8-38. CH0\_GCAL\_MSB Register**

15	14	13	12	11	10	9	8
GCAL0_MSB[15:8]							
R/W-1000000000000000b							
7	6	5	4	3	2	1	0
GCAL0_MSB[7:0]							
R/W-1000000000000000b							

**Table 8-26. CH0\_GCAL\_MSB Register Field Descriptions**

Bit	Field	Type	Reset	Description
15:0	GCAL0_MSB	R/W	1000000000 0000000b	Channel 0 gain calibration register bits [23:8] Unsigned number for the gain range from 0.0 to $2.0 \cdot (2^{24} - 1) / 2^{24}$

### 8.6.14 CH0\_GCAL\_LSB Register (Address = 0Dh) [reset = 0000h]

The CH0\_GCAL\_LSB register is shown in [Figure 8-39](#) and described in [Table 8-27](#).

Return to the [Summary Table](#).

**Figure 8-39. CH0\_GCAL\_LSB Register**

15	14	13	12	11	10	9	8
GCAL0_LSB							
R/W-00000000b							
7	6	5	4	3	2	1	0
RESERVED							
R-00000000b							

**Table 8-27. CH0\_GCAL\_LSB Register Field Descriptions**

Bit	Field	Type	Reset	Description
15:8	GCAL0_LSB[7:0]	R/W	00000000b	Channel 0 gain calibration register bits [7:0] Unsigned number for the gain range from 0.0 to $2.0 \cdot (2^{24} - 1) / 2^{24}$
7:0	RESERVED	R	00000000b	Reserved always reads 00000000b

### 8.6.15 CH1\_CFG Register (Address = 0Eh) [reset = 0000h]

The CH1\_CFG register is shown in [Figure 8-40](#) and described in [Table 8-28](#).

Return to the [Summary Table](#).

**Figure 8-40. CH1\_CFG Register**

15	14	13	12	11	10	9	8
PHASE1[9:2]							
R/W-0000000000b							
7	6	5	4	3	2	1	0
PHASE1[1:0]		RESERVED			DCBLK1_DIS	MUX1	
R/W-0000000000b		R-000b			R/W-0b	R/W-00b	

**Table 8-28. CH1\_CFG Register Field Descriptions**

Bit	Field	Type	Reset	Description
15:6	PHASE1[9:0]	R/W	0000000000b	Channel 1 phase delay Phase delay in modulator clock cycles provided in two's complement format. See <a href="#">Table 8-5</a> for details.
5:3	RESERVED	R	000b	Reserved always reads 000b
2	DCBLK1_DIS	R/W	0b	Channel 1 DC Block filter disable 0b = Controlled by DCBLOCK[3:0] (default) 1b = Disabled for this channel
1:0	MUX1	R/W	00b	Channel 1 input selection 00b = AIN1P and AIN1N (default) 01b = ADC inputs shorted 10b = Positive DC test signal 11b = Negative DC test signal

### 8.6.16 CH1\_OCAL\_MSB Register (Address = 0Fh) [reset = 0000h]

The CH1\_OCAL\_MSB register is shown in [Figure 8-41](#) and described in [Table 8-29](#).

Return to the [Summary Table](#).

**Figure 8-41. CH1\_OCAL\_MSB Register**

15	14	13	12	11	10	9	8
OCAL1_MSB[15:8]							
R/W-0000000000000000b							
7	6	5	4	3	2	1	0
OCAL1_MSB[7:0]							
R/W-0000000000000000b							

**Table 8-29. CH1\_OCAL\_MSB Register Field Descriptions**

Bit	Field	Type	Reset	Description
15:0	OCAL1_MSB[15:0]	R/W	00000000 00000000b	Channel 1 offset calibration register bits [23:8] Value provided in two's complement format

### 8.6.17 CH1\_OCAL\_LSB Register (Address = 10h) [reset = 0000h]

The CH1\_OCAL\_LSB register is shown in [Figure 8-42](#) and described in [Table 8-30](#).

Return to the [Summary Table](#).

**Figure 8-42. CH1\_OCAL\_LSB Register**

15	14	13	12	11	10	9	8
OCAL1_LSB[7:0]							
R/W-00000000b							
7	6	5	4	3	2	1	0
RESERVED							
R-00000000b							

**Table 8-30. CH1\_OCAL\_LSB Register Field Descriptions**

Bit	Field	Type	Reset	Description
15:8	OCAL1_LSB[7:0]	R/W	00000000b	Channel 1 offset calibration register bits [7:0] Value provided in two's complement format
7:0	RESERVED	R	00000000b	Reserved always reads 00000000b

### 8.6.18 CH1\_GCAL\_MSB Register (Address = 11h) [reset = 8000h]

The CH1\_GCAL\_MSB register is shown in [Figure 8-43](#) and described in [Table 8-31](#).

Return to the [Summary Table](#).

**Figure 8-43. CH1\_GCAL\_MSB Register**

15	14	13	12	11	10	9	8
GCAL1_MSB[15:8]							
R/W-1000000000000000b							
7	6	5	4	3	2	1	0
GCAL1_MSB[7:0]							
R/W-1000000000000000b							

**Table 8-31. CH1\_GCAL\_MSB Register Field Descriptions**

Bit	Field	Type	Reset	Description
15:0	GCAL1_MSB[15:0]	R/W	1000000000 000000b	Channel 1 gain calibration register bits [23:8] Unsigned number for the gain range from 0.0 to $2.0 \cdot (2^{24} - 1) / 2^{24}$

### 8.6.19 CH1\_GCAL\_LSB Register (Address = 12h) [reset = 0000h]

The CH1\_GCAL\_LSB register is shown in [Figure 8-44](#) and described in [Table 8-32](#).

Return to the [Summary Table](#).

**Figure 8-44. CH1\_GCAL\_LSB Register**

15	14	13	12	11	10	9	8
GCAL1_LSB[7:0]							
R/W-00000000b							
7	6	5	4	3	2	1	0
RESERVED							
R-00000000b							

**Table 8-32. CH1\_GCAL\_LSB Register Field Descriptions**

Bit	Field	Type	Reset	Description
15:8	GCAL1_LSB[7:0]	R/W	00000000b	Channel 1 gain calibration register bits [7:0] Unsigned number for the gain range from 0.0 to $2.0 \cdot (2^{24} - 1) / 2^{24}$
7:0	RESERVED	R	00000000b	Reserved always reads 00000000b

**8.6.20 CH2\_CFG Register (Address = 13h) [reset = 0000h]**

The CH2\_CFG register is shown in [Figure 8-45](#) and described in [Table 8-33](#).

Return to the [Summary Table](#).

**Figure 8-45. CH2\_CFG Register**

15	14	13	12	11	10	9	8
PHASE2[9:2]							
R/W-0000000000b							
7	6	5	4	3	2	1	0
PHASE2[1:0]		RESERVED			DCBLK2_DIS	MUX2	
R/W-0000000000b		R-000b			R/W-0b	R/W-00b	

**Table 8-33. CH2\_CFG Register Field Descriptions**

Bit	Field	Type	Reset	Description
15:6	PHASE2[9:0]	R/W	0000000000b	Channel 2 phase delay Phase delay in modulator clock cycles provided in two's complement format. See <a href="#">Table 8-5</a> for details.
5:3	RESERVED	R	000b	Reserved always reads 000b
2	DCBLK2_DIS	R/W	0b	Channel 2 DC Block filter disable 0b = Controlled by DCBLOCK[3:0] (default) 1b = Disabled for this channel
1:0	MUX2	R/W	00b	Channel 2 input selection 00b = AIN2P and AIN2N (default) 01b = ADC inputs shorted 10b = Positive DC test signal 11b = Negative DC test signal

### 8.6.21 CH2\_OCAL\_MSB Register (Address = 14h) [reset = 0000h]

The CH2\_OCAL\_MSB register is shown in [Figure 8-46](#) and described in [Table 8-34](#).

Return to the [Summary Table](#).

**Figure 8-46. CH2\_OCAL\_MSB Register**

15	14	13	12	11	10	9	8
OCAL2_MSB[15:8]							
R/W-0000000000000000b							
7	6	5	4	3	2	1	0
OCAL2_MSB[7:0]							
R/W-0000000000000000b							

**Table 8-34. CH2\_OCAL\_MSB Register Field Descriptions**

Bit	Field	Type	Reset	Description
15:0	OCAL2_MSB[15:0]	R/W	00000000 00000000b	Channel 2 offset calibration register bits [23:8] Value provided in two's complement format

### 8.6.22 CH2\_OCAL\_LSB Register (Address = 15h) [reset = 0000h]

The CH2\_OCAL\_LSB register is shown in [Figure 8-47](#) and described in [Table 8-35](#).

Return to the [Summary Table](#).

**Figure 8-47. CH2\_OCAL\_LSB Register**

15	14	13	12	11	10	9	8
OCAL2_LSB[7:0]							
R/W-00000000b							
7	6	5	4	3	2	1	0
RESERVED							
R-00000000b							

**Table 8-35. CH2\_OCAL\_LSB Register Field Descriptions**

Bit	Field	Type	Reset	Description
15:8	OCAL2_LSB[7:0]	R/W	00000000b	Channel 2 offset calibration register bits [7:0] Value provided in two's complement format
7:0	RESERVED	R	00000000b	Reserved always reads 00000000b

**8.6.23 CH2\_GCAL\_MSB Register (Address = 16h) [reset = 8000h]**

The CH2\_GCAL\_MSB register is shown in [Figure 8-48](#) and described in [Table 8-36](#).

Return to the [Summary Table](#).

**Figure 8-48. CH2\_GCAL\_MSB Register**

15	14	13	12	11	10	9	8
GCAL2_MSB[15:8]							
R/W-1000000000000000b							
7	6	5	4	3	2	1	0
GCAL2_MSB[7:0]							
R/W-1000000000000000b							

**Table 8-36. CH2\_GCAL\_MSB Register Field Descriptions**

Bit	Field	Type	Reset	Description
15:0	GCAL2_MSB[15:0]	R/W	1000000000 000000b	Channel 2 gain calibration register bits [23:8] Unsigned number for the gain range from 0.0 to 2.0 · (2 <sup>24</sup> – 1) / 2 <sup>24</sup>

**8.6.24 CH2\_GCAL\_LSB Register (Address = 17h) [reset = 0000h]**

The CH2\_GCAL\_LSB register is shown in [Figure 8-49](#) and described in [Table 8-37](#).

Return to the [Summary Table](#).

**Figure 8-49. CH2\_GCAL\_LSB Register**

15	14	13	12	11	10	9	8
GCAL2_LSB[7:0]							
R/W-00000000b							
7	6	5	4	3	2	1	0
RESERVED							
R-00000000b							

**Table 8-37. CH2\_GCAL\_LSB Register Field Descriptions**

Bit	Field	Type	Reset	Description
15:8	GCAL2_LSB[7:0]	R/W	00000000b	Channel 2 gain calibration register bits [7:0] Unsigned number for the gain range from 0.0 to 2.0 · (2 <sup>24</sup> – 1) / 2 <sup>24</sup>
7:0	RESERVED	R	00000000b	Reserved always reads 00000000b



### 8.6.25 CH3\_CFG Register (Address = 18h) [reset = 0000h]

The CH3\_CFG register is shown in [Figure 8-50](#) and described in [Table 8-38](#).

Return to the [Summary Table](#).

**Figure 8-50. CH3\_CFG Register**

15	14	13	12	11	10	9	8
PHASE3[9:2]							
R/W-0000000000b							
7	6	5	4	3	2	1	0
PHASE3[1:0]		RESERVED			DCBLK3_DIS	MUX3	
R/W-0000000000b		R-000b			R/W-0b	R/W-00b	

**Table 8-38. CH3\_CFG Register Field Descriptions**

Bit	Field	Type	Reset	Description
15:6	PHASE3[9:0]	R/W	0000000000b	Channel 3 phase delay Phase delay in modulator clock cycles provided in two's complement format. See <a href="#">Table 8-5</a> for details.
5:3	RESERVED	R	000b	Reserved always reads 00000000b
2	DCBLK3_DIS	R/W	0b	Channel 3 DC Block filter disable 0b = Controlled by DCBLOCK[3:0] (default) 1b = Disabled for this channel
1:0	MUX3	R/W	00b	Channel 3 input selection 00b = AIN3P and AIN3N (default) 01b = ADC inputs shorted 10b = Positive DC test signal 11b = Negative DC test signal

### 8.6.26 CH3\_OCAL\_MSB Register (Address = 19h) [reset = 0000h]

The CH3\_OCAL\_MSB register is shown in [Figure 8-51](#) and described in [Table 8-39](#).

Return to the [Summary Table](#).

**Figure 8-51. CH3\_OCAL\_MSB Register**

15	14	13	12	11	10	9	8
OCAL3_MSB[15:8]							
R/W-0000000000000000b							
7	6	5	4	3	2	1	0
OCAL3_MSB[7:0]							
R/W-0000000000000000b							

**Table 8-39. CH3\_OCAL\_MSB Register Field Descriptions**

Bit	Field	Type	Reset	Description
15:0	OCAL3_MSB[15:0]	R/W	00000000 00000000b	Channel 3 offset calibration register bits [23:8] Value provided in two's complement format

### 8.6.27 CH3\_OCAL\_LSB Register (Address = 1Ah) [reset = 0000h]

The CH3\_OCAL\_LSB register is shown in [Figure 8-52](#) and described in [Table 8-40](#).

Return to the [Summary Table](#).

**Figure 8-52. CH3\_OCAL\_LSB Register**

15	14	13	12	11	10	9	8
OCAL3_LSB[7:0]							
R/W-00000000b							
7	6	5	4	3	2	1	0
RESERVED							
R-00000000b							

**Table 8-40. CH3\_OCAL\_LSB Register Field Descriptions**

Bit	Field	Type	Reset	Description
15:8	OCAL3_LSB[7:0]	R/W	00000000b	Channel 3 offset calibration register bits [7:0] Value provided in two's complement format
7:0	RESERVED	R	00000000b	Reserved always reads 00000000b

### 8.6.28 CH3\_GCAL\_MSB Register (Address = 1Bh) [reset = 8000h]

The CH3\_GCAL\_MSB register is shown in [Figure 8-53](#) and described in [Table 8-41](#).

Return to the [Summary Table](#).

**Figure 8-53. CH3\_GCAL\_MSB Register**

15	14	13	12	11	10	9	8
GCAL3_MSB[15:8]							
R/W-1000000000000000b							
7	6	5	4	3	2	1	0
GCAL3_MSB[7:0]							
R/W-1000000000000000b							

**Table 8-41. CH3\_GCAL\_MSB Register Field Descriptions**

Bit	Field	Type	Reset	Description
15:0	GCAL3_MSB[15:0]	R/W	1000000000 0000000b	Channel 3 gain calibration register bits [23:8] Unsigned number for the gain range from 0.0 to $2.0 \cdot (2^{24} - 1) / 2^{24}$

### 8.6.29 CH3\_GCAL\_LSB Register (Address = 1Ch) [reset = 0000h]

The CH3\_GCAL\_LSB register is shown in [Figure 8-54](#) and described in [Table 8-42](#).

Return to the [Summary Table](#).

**Figure 8-54. CH3\_GCAL\_LSB Register**

15	14	13	12	11	10	9	8
GCAL3_LSB[7:0]							
R/W-00000000b							
7	6	5	4	3	2	1	0
RESERVED							
R-00000000b							

**Table 8-42. CH3\_GCAL\_LSB Register Field Descriptions**

Bit	Field	Type	Reset	Description
15:8	GCAL3_LSB[7:0]	R/W	00000000b	Channel 3 gain calibration register bits [7:0] Unsigned number for the gain range from 0.0 to $2.0 \cdot (2^{24} - 1) / 2^{24}$
7:0	RESERVED	R	00000000b	Reserved always reads 00000000b

**8.6.30 CH4\_CFG Register (Address = 1Dh) [reset = 0000h]**

The CH4\_CFG register is shown in [Figure 8-55](#) and described in [Table 8-43](#).

Return to the [Summary Table](#).

**Figure 8-55. CH4\_CFG Register**

15	14	13	12	11	10	9	8
PHASE4[9:2]							
R/W-0000000000b							
7	6	5	4	3	2	1	0
PHASE4[1:0]		RESERVED			DCBLK4_DIS	MUX4	
R/W-0000000000b		R-000b			R/W-0b	R/W-00b	

**Table 8-43. CH4\_CFG Register Field Descriptions**

Bit	Field	Type	Reset	Description
15:6	PHASE4[9:0]	R/W	0000000000b	Channel 4 phase delay Phase delay in modulator clock cycles provided in two's complement format. See <a href="#">Table 8-5</a> for details.
5:3	RESERVED	R	000b	Reserved always reads 000b
2	DCBLK4_DIS	R/W	0b	Channel 4 DC Block filter disable 0b = Controlled by DCBLOCK[3:0] (default) 1b = Disabled for this channel
1:0	MUX4	R/W	00b	Channel 4 input selection 00b = AIN4P and AIN4N (default) 01b = ADC inputs shorted 10b = Positive DC test signal 11b = Negative DC test signal

### 8.6.31 CH4\_OCAL\_MSB Register (Address = 1Eh) [reset = 0000h]

The CH4\_OCAL\_MSB register is shown in [Figure 8-56](#) and described in [Table 8-44](#).

Return to the [Summary Table](#).

**Figure 8-56. CH4\_OCAL\_MSB Register**

15	14	13	12	11	10	9	8
OCAL4_MSB[15:8]							
R/W-0000000000000000b							
7	6	5	4	3	2	1	0
OCAL4_MSB[7:0]							
R/W-0000000000000000b							

**Table 8-44. CH4\_OCAL\_MSB Register Field Descriptions**

Bit	Field	Type	Reset	Description
15:0	OCAL4_MSB[15:0]	R/W	00000000 00000000b	Channel 4 offset calibration register bits [23:8] Value provided in two's complement format

### 8.6.32 CH4\_OCAL\_LSB Register (Address = 1Fh) [reset = 0000h]

The CH4\_OCAL\_LSB register is shown in [Figure 8-57](#) and described in [Table 8-45](#).

Return to the [Summary Table](#).

**Figure 8-57. CH4\_OCAL\_LSB Register**

15	14	13	12	11	10	9	8
OCAL4_LSB[7:0]							
R/W-00000000b							
7	6	5	4	3	2	1	0
RESERVED							
R-00000000b							

**Table 8-45. CH4\_OCAL\_LSB Register Field Descriptions**

Bit	Field	Type	Reset	Description
15:8	OCAL4_LSB[7:0]	R/W	00000000b	Channel 4 offset calibration register bits [7:0] Value provided in two's complement format
7:0	RESERVED	R	00000000b	Reserved always reads 00000000b

### 8.6.33 CH4\_GCAL\_MSB Register (Address = 20h) [reset = 8000h]

The CH4\_GCAL\_MSB register is shown in [Figure 8-58](#) and described in [Table 8-46](#).

Return to the [Summary Table](#).

**Figure 8-58. CH4\_GCAL\_MSB Register**

15	14	13	12	11	10	9	8
GCAL4_MSB[15:8]							
R/W-1000000000000000b							
7	6	5	4	3	2	1	0
GCAL4_MSB[7:0]							
R/W-1000000000000000b							

**Table 8-46. CH4\_GCAL\_MSB Register Field Descriptions**

Bit	Field	Type	Reset	Description
15:0	GCAL4_MSB[15:0]	R/W	1000000000 000000b	Channel 4 gain calibration register bits [23:8] Unsigned number for the gain range from 0.0 to 2.0·(2 <sup>24</sup> – 1) / 2 <sup>24</sup>

### 8.6.34 CH4\_GCAL\_LSB Register (Address = 21h) [reset = 0000h]

The CH4\_GCAL\_LSB register is shown in [Figure 8-59](#) and described in [Table 8-47](#).

Return to the [Summary Table](#).

**Figure 8-59. CH4\_GCAL\_LSB Register**

15	14	13	12	11	10	9	8
GCAL4_LSB[7:0]							
R/W-00000000b							
7	6	5	4	3	2	1	0
RESERVED							
R-00000000b							

**Table 8-47. CH4\_GCAL\_LSB Register Field Descriptions**

Bit	Field	Type	Reset	Description
15:8	GCAL4_LSB[7:0]	R/W	00000000b	Channel 4 gain calibration register bits [7:0] Unsigned number for the gain range from 0.0 to 2.0·(2 <sup>24</sup> – 1) / 2 <sup>24</sup>
7:0	RESERVED	R	00000000b	Reserved always reads 00000000b

### 8.6.35 CH5\_CFG Register (Address = 22h) [reset = 0000h]

The CH5\_CFG register is shown in [Figure 8-60](#) and described in [Table 8-48](#).

Return to the [Summary Table](#).

**Figure 8-60. CH5\_CFG Register**

15	14	13	12	11	10	9	8
PHASE5[9:2]							
R/W-0000000000b							
7	6	5	4	3	2	1	0
PHASE5[1:0]		RESERVED			DCBLK5_DIS	MUX5	
R/W-0000000000b		R-000b			R/W-0b	R/W-00b	

**Table 8-48. CH5\_CFG Register Field Descriptions**

Bit	Field	Type	Reset	Description
15:6	PHASE5[9:0]	R/W	0000000000b	Channel 5 phase delay Phase delay in modulator clock cycles provided in two's complement format. See <a href="#">Table 8-5</a> for details.
5:3	RESERVED	R	000b	Reserved always reads 000b
2	DCBLK5_DIS	R/W	0b	Channel 5 DC Block filter disable 0b = Controlled by DCBLOCK[3:0] (default) 1b = Disabled for this channel
1:0	MUX5	R/W	00b	Channel 5 put selection 00b = AIN5P and AIN5N (default) 01b = ADC inputs shorted 10b = Positive DC test signal 11b = Negative DC test signal

### 8.6.36 CH5\_OCAL\_MSB Register (Address = 23h) [reset = 0000h]

CH5\_OCAL\_MSB is shown in [Figure 8-61](#) and described in [Table 8-49](#).

Return to the [Summary Table](#).

**Figure 8-61. CH5\_OCAL\_MSB Register**

15	14	13	12	11	10	9	8
OCAL5_MSB[15:8]							
R/W-0000000000000000b							
7	6	5	4	3	2	1	0
OCAL5_MSB[7:0]							
R/W-0000000000000000b							

**Table 8-49. CH5\_OCAL\_MSB Register Field Descriptions**

Bit	Field	Type	Reset	Description
15:0	OCAL5_MSB[15:0]	R/W	00000000 00000000b	Channel 5 offset calibration register bits [23:8] Value provided in two's complement format

### 8.6.37 CH5\_OCAL\_LSB Register (Address = 24h) [reset = 0000h]

The CH5\_OCAL\_LSB register is shown in [Figure 8-62](#) and described in [Table 8-50](#).

Return to the [Summary Table](#).

**Figure 8-62. CH5\_OCAL\_LSB Register**

15	14	13	12	11	10	9	8
OCAL5_LSB[7:0]							
R/W-00000000b							
7	6	5	4	3	2	1	0
RESERVED							
R-00000000b							

**Table 8-50. CH5\_OCAL\_LSB Register Field Descriptions**

Bit	Field	Type	Reset	Description
15:8	OCAL5_LSB[7:0]	R/W	00000000b	Channel 5 offset calibration register bits [7:0] Value provided in two's complement format
7:0	RESERVED	R	00000000b	Reserved always reads 00000000b



### 8.6.38 CH5\_GCAL\_MSB Register (Address = 25h) [reset = 8000h]

The CH5\_GCAL\_MSB register is shown in [Figure 8-63](#) and described in [Table 8-51](#).

Return to the [Summary Table](#).

**Figure 8-63. CH5\_GCAL\_MSB Register**

15	14	13	12	11	10	9	8
GCAL5_MSB[15:8]							
R/W-1000000000000000b							
7	6	5	4	3	2	1	0
GCAL5_MSB[7:0]							
R/W-1000000000000000b							

**Table 8-51. CH5\_GCAL\_MSB Register Field Descriptions**

Bit	Field	Type	Reset	Description
15:0	GCAL5_MSB[15:0]	R/W	1000000000 0000000b	Channel 5 gain calibration register bits [23:8] Unsigned number for the gain range from 0.0 to 2.0 · (2 <sup>24</sup> – 1) / 2 <sup>24</sup>

### 8.6.39 CH5\_GCAL\_LSB Register (Address = 26h) [reset = 0000h]

The CH5\_GCAL\_LSB register is shown in [Figure 8-64](#) and described in [Table 8-52](#).

Return to the [Summary Table](#).

**Figure 8-64. CH5\_GCAL\_LSB Register**

15	14	13	12	11	10	9	8
GCAL5_LSB[7:0]							
R/W-00000000b							
7	6	5	4	3	2	1	0
RESERVED							
R-00000000b							

**Table 8-52. CH5\_GCAL\_LSB Register Field Descriptions**

Bit	Field	Type	Reset	Description
15:8	GCAL5_LSB[7:0]	R/W	00000000b	Channel 5 gain calibration register bits [7:0] Unsigned number for the gain range from 0.0 to 2.0 · (2 <sup>24</sup> – 1) / 2 <sup>24</sup>
7:0	RESERVED	R	00000000b	Reserved always reads 00000000b

**8.6.40 CH6\_CFG Register (Address = 27h) [reset = 0000h]**

The CH6\_CFG register is shown in [Figure 8-65](#) and described in [Table 8-53](#).

Return to the [Summary Table](#).

**Figure 8-65. CH6\_CFG Register**

15	14	13	12	11	10	9	8
PHASE6[9:2]							
R/W-0000000000b							
7	6	5	4	3	2	1	0
PHASE6[1:0]		RESERVED			DCBLK6_DIS	MUX6	
R/W-0000000000b		R-000b			R/W-0b	R/W-00b	

**Table 8-53. CH6\_CFG Register Field Descriptions**

Bit	Field	Type	Reset	Description
15:6	PHASE6[9:0]	R/W	0000000000b	Channel 6 phase delay Phase delay in modulator clock cycles provided in two's complement format. See <a href="#">Table 8-5</a> for details.
5:3	RESERVED	R	000b	Reserved always reads 000b
2	DCBLK6_DIS	R/W	0b	Channel 6 DC Block filter disable 0b = Controlled by DCBLOCK[3:0] (default) 1b = Disabled for this channel
1:0	MUX6	R/W	00b	Channel 6 input selection 00b = AIN6P and AIN6N (default) 01b = ADC inputs shorted 10b = Positive DC test signal 11b = Negative DC test signal

### 8.6.41 CH6\_OCAL\_MSB Register (Address = 28h) [reset = 0000h]

The CH6\_OCAL\_MSB register is shown in [Figure 8-66](#) and described in [Table 8-54](#).

Return to the [Summary Table](#).

**Figure 8-66. CH6\_OCAL\_MSB Register**

15	14	13	12	11	10	9	8
OCAL6_MSB[15:8]							
R/W-0000000000000000b							
7	6	5	4	3	2	1	0
OCAL6_MSB[7:0]							
R/W-0000000000000000b							

**Table 8-54. CH6\_OCAL\_MSB Register Field Descriptions**

Bit	Field	Type	Reset	Description
15:0	OCAL6_MSB[15:0]	R/W	00000000 00000000b	Channel 6 offset calibration register bits [23:8] Value provided in two's complement format

### 8.6.42 CH6\_OCAL\_LSB Register (Address = 29h) [reset = 0000h]

The CH6\_OCAL\_LSB register is shown in [Figure 8-67](#) and described in [Table 8-55](#).

Return to the [Summary Table](#).

**Figure 8-67. CH6\_OCAL\_LSB Register**

15	14	13	12	11	10	9	8
OCAL6_LSB[7:0]							
R/W-00000000b							
7	6	5	4	3	2	1	0
RESERVED							
R-00000000b							

**Table 8-55. CH6\_OCAL\_LSB Register Field Descriptions**

Bit	Field	Type	Reset	Description
15:8	OCAL6_LSB[7:0]	R/W	00000000b	Channel 6 offset calibration register bits [7:0] Value provided in two's complement format
7:0	RESERVED	R	00000000b	Reserved always reads 00000000b

### 8.6.43 CH6\_GCAL\_MSB Register (Address = 2Ah) [reset = 8000h]

The CH6\_GCAL\_MSB register is shown in [Figure 8-68](#) and described in [Table 8-56](#).

Return to the [Summary Table](#).

**Figure 8-68. CH6\_GCAL\_MSB Register**

15	14	13	12	11	10	9	8
GCAL6_MSB[15:8]							
R/W-1000000000000000b							
7	6	5	4	3	2	1	0
GCAL6_MSB[7:0]							
R/W-1000000000000000b							

**Table 8-56. CH6\_GCAL\_MSB Register Field Descriptions**

Bit	Field	Type	Reset	Description
15:0	GCAL6_MSB[15:0]	R/W	1000000000 000000b	Channel 6 gain calibration register bits [23:8] Unsigned number for the gain range from 0.0 to $2.0 \cdot (2^{24} - 1) / 2^{24}$

### 8.6.44 CH6\_GCAL\_LSB Register (Address = 2Bh) [reset = 0000h]

The CH6\_GCAL\_LSB register is shown in [Figure 8-69](#) and described in [Table 8-57](#).

Return to the [Summary Table](#).

**Figure 8-69. CH6\_GCAL\_LSB Register**

15	14	13	12	11	10	9	8
GCAL6_LSB[7:0]							
R/W-00000000b							
7	6	5	4	3	2	1	0
RESERVED							
R-00000000b							

**Table 8-57. CH6\_GCAL\_LSB Register Field Descriptions**

Bit	Field	Type	Reset	Description
15:8	GCAL6_LSB[7:0]	R/W	00000000b	Channel 6 gain calibration register bits [7:0] Unsigned number for the gain range from 0.0 to $2.0 \cdot (2^{24} - 1) / 2^{24}$
7:0	RESERVED	R	00000000b	Reserved always reads 00000000b

### 8.6.45 CH7\_CFG Register (Address = 2Ch) [reset = 0000h]

The CH7\_CFG register is shown in [Figure 8-70](#) and described in [Table 8-58](#).

Return to the [Summary Table](#).

**Figure 8-70. CH7\_CFG Register**

15	14	13	12	11	10	9	8
PHASE7[9:2]							
R/W-0000000000b							
7	6	5	4	3	2	1	0
PHASE7[1:0]		RESERVED			DCBLK7_DIS	MUX7	
R/W-0000000000b		R-000b			R/W-0b	R/W-00b	

**Table 8-58. CH7\_CFG Register Field Descriptions**

Bit	Field	Type	Reset	Description
15:6	PHASE7[9:0]	R/W	0000000000b	Channel 7 phase delay Phase delay in modulator clock cycles provided in two's complement format. See <a href="#">Table 8-5</a> for details.
5:3	RESERVED	R	000b	Reserved always reads 000b
2	DCBLK7_DIS	R/W	0b	Channel 7 DC Block filter disable 0b = Controlled by DCBLOCK[3:0] (default) 1b = Disabled for this channel
1:0	MUX7	R/W	00b	Channel 7 input selection 00b = AIN7P and AIN7N (default) 01b = ADC inputs shorted 10b = Positive DC test signal 11b = Negative DC test signal

### 8.6.46 CH7\_OCAL\_MSB Register (Address = 2Dh) [reset = 0000h]

The CH7\_OCAL\_MSB register is shown in [Figure 8-71](#) and described in [Table 8-59](#).

Return to the [Summary Table](#).

**Figure 8-71. CH7\_OCAL\_MSB Register**

15	14	13	12	11	10	9	8
OCAL7_MSB[15:8]							
R/W-0000000000000000b							
7	6	5	4	3	2	1	0
OCAL7_MSB[7:0]							
R/W-0000000000000000b							

**Table 8-59. CH7\_OCAL\_MSB Register Field Descriptions**

Bit	Field	Type	Reset	Description
15:0	OCAL7_MSB[15:0]	R/W	00000000 00000000b	Channel 7 offset calibration register bits [23:8] Value provided in two's complement format

### 8.6.47 CH7\_OCAL\_LSB Register (Address = 2Eh) [reset = 0000h]

The CH7\_OCAL\_LSB register is shown in [Figure 8-72](#) and described in [Table 8-60](#).

Return to the [Summary Table](#).

**Figure 8-72. CH7\_OCAL\_LSB Register**

15	14	13	12	11	10	9	8
OCAL7_LSB[7:0]							
R/W-00000000b							
7	6	5	4	3	2	1	0
RESERVED							
R-00000000b							

**Table 8-60. CH7\_OCAL\_LSB Register Field Descriptions**

Bit	Field	Type	Reset	Description
15:8	OCAL7_LSB[7:0]	R/W	00000000b	Channel 7 offset calibration register bits [7:0] Value provided in two's complement format
7:0	RESERVED	R	00000000b	Reserved always reads 00000000b

### 8.6.48 CH7\_GCAL\_MSB Register (Address = 2Fh) [reset = 8000h]

The CH7\_GCAL\_MSB register is shown in [Figure 8-73](#) and described in [Table 8-61](#).

Return to the [Summary Table](#).

**Figure 8-73. CH7\_GCAL\_MSB Register**

15	14	13	12	11	10	9	8
GCAL7_MSB[15:8]							
R/W-1000000000000000b							
7	6	5	4	3	2	1	0
GCAL7_MSB[7:0]							
R/W-1000000000000000b							

**Table 8-61. CH7\_GCAL\_MSB Register Field Descriptions**

Bit	Field	Type	Reset	Description
15:0	GCAL7_MSB[15:0]	R/W	10000000 00000000b	Channel 7 gain calibration register bits [23:8] Unsigned number for the gain range from 0.0 to $2.0 \cdot (2^{24} - 1) / 2^{24}$

### 8.6.49 CH7\_GCAL\_LSB Register (Address = 30h) [reset = 0000h]

The CH7\_GCAL\_LSB register is shown in [Figure 8-74](#) and described in [Table 8-62](#).

Return to the [Summary Table](#).

**Figure 8-74. CH7\_GCAL\_LSB Register**

15	14	13	12	11	10	9	8
GCAL7_LSB[7:0]							
R/W-00000000b							
7	6	5	4	3	2	1	0
RESERVED							
R-00000000b							

**Table 8-62. CH7\_GCAL\_LSB Register Field Descriptions**

Bit	Field	Type	Reset	Description
15:8	GCAL7_LSB[7:0]	R/W	00000000b	Channel 7 gain calibration register bits [7:0] Unsigned number for the gain range from 0.0 to $2.0 \cdot (2^{24} - 1) / 2^{24}$
7:0	RESERVED	R	00000000b	Reserved always reads 00000000b

### 8.6.50 REGMAP\_CRC Register (Address = 3Eh) [reset = 0000h]

The REGMAP\_CRC register is shown in [Figure 8-75](#) and described in [Table 8-63](#).

Return to the [Summary Table](#).

**Figure 8-75. REGMAP\_CRC Register**

15	14	13	12	11	10	9	8
REG_CRC[15:8]							
R-0000000000000000b							
7	6	5	4	3	2	1	0
REG_CRC[7:0]							
R-0000000000000000b							

**Table 8-63. REGMAP\_CRC Register Field Descriptions**

Bit	Field	Type	Reset	Description
15:0	REG_CRC[15:0]	R	00000000 00000000b	Register map CRC value

### 8.6.51 RESERVED Register (Address = 3Fh) [reset = 0000h]

The RESERVED register is shown in [Figure 8-76](#) and described in [Table 8-64](#).

Return to the [Summary Table](#).

**Figure 8-76. RESERVED Register**

15	14	13	12	11	10	9	8
RESERVED							
R/W-0000000000000000b							
7	6	5	4	3	2	1	0
RESERVED							
R/W-0000000000000000b							

**Table 8-64. RESERVED Register Field Descriptions**

Bit	Field	Type	Reset	Description
15:0	RESERVED	R/W	00000000 00000000b	Reserved Always write 0000000000000000b



## 9 Application and Implementation

### Note

Information in the following applications sections is not part of the TI component specification, and TI does not warrant its accuracy or completeness. TI's customers are responsible for determining suitability of components for their purposes, as well as validating and testing their design implementation to confirm system functionality.

### 9.1 Application Information

#### 9.1.1 Unused Inputs and Outputs

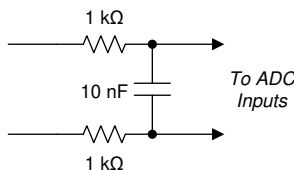
Leave any unused analog inputs floating or connect them to AGND.

Do not float unused digital inputs because excessive power-supply leakage current can result. Tie all unused digital inputs to the appropriate levels, DVDD or DGND. Leave the DRDY pin unconnected or connect it to DVDD using a weak pullup resistor if unused.

#### 9.1.2 Antialiasing

An analog low-pass filter is required in front of each of the channel inputs to prevent out-of-band noise and interferers from coupling into the band of interest. Because the ADS131M08 is a delta-sigma ADC, the integrated digital filter provides substantial attenuation for frequencies outside of the band of interest up to the frequencies adjacent to  $f_{MOD}$ . Therefore, a single-order RC filter provides sufficient antialiasing protection in the vast majority of applications.

Choosing the values of the resistor and capacitor depends on the desired cutoff frequency, limiting source impedance for the ADC inputs, and providing enough instantaneous charge to the ADC input sampling circuit through the filter capacitor. [Figure 9-1](#) shows the recommended filter component values. These recommendations are sufficient for CLKIN frequencies between 2 MHz and 8.2 MHz.



**Figure 9-1. Recommended Antialiasing Circuitry**

### 9.1.3 Minimum Interface Connections

Figure 9-2 depicts how the ADS131M08 can be configured for the minimum number of interface pins. This configuration is useful when using data isolation to minimize the number of isolation channels required or when the microcontroller (MCU) pins are limited.

The CLKIN pin requires an LVCMOS clock that can be either generated by the MCU or created using a local LVCMOS output device. Tie the  $\overline{\text{SYNC/RESET}}$  pin to DVDD in hardware if unused. The  $\overline{\text{DRDY}}$  pin can be left floating if unused. Connect either  $\overline{\text{SYNC/RESET}}$  or  $\overline{\text{DRDY}}$  to the MCU to ensure the MCU stays synchronized to ADC conversions. If the MCU provides CLKIN, the CLKIN periods can be counted to determine the sample period rather than forcing synchronization using the  $\overline{\text{SYNC/RESET}}$  pin or monitoring the  $\overline{\text{DRDY}}$  pin. Synchronization cannot be regained if a bit error occurs on the clock and samples can be missed if the  $\overline{\text{SYNC/RESET}}$  or  $\overline{\text{DRDY}}$  pins are not used.  $\overline{\text{CS}}$  can be tied low in hardware if the ADS131M08 is the only device on the SPI bus. Ensure the data input and output CRC are enabled and are used to guard against faulty register reads and writes if  $\overline{\text{CS}}$  is tied low permanently.

See the [Clocking and Power Modes](#) section for more information regarding synchronization and how to implement the clocking scheme for optimized device performance.

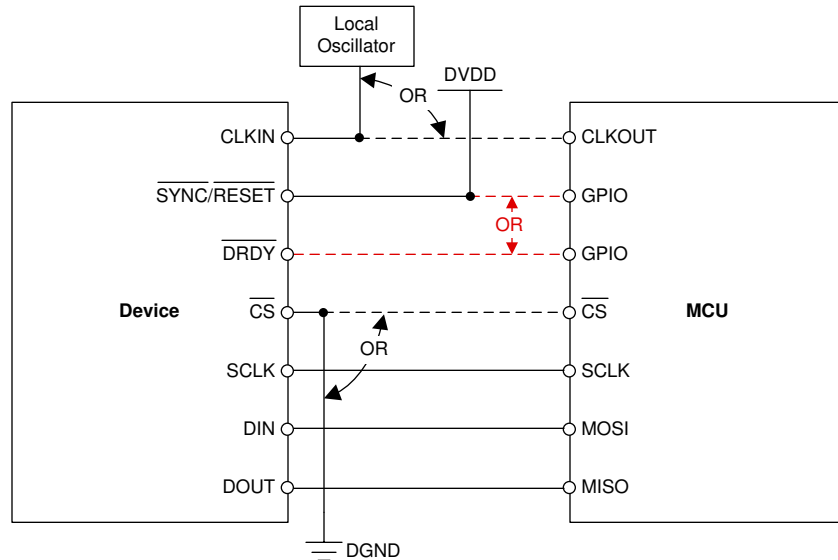
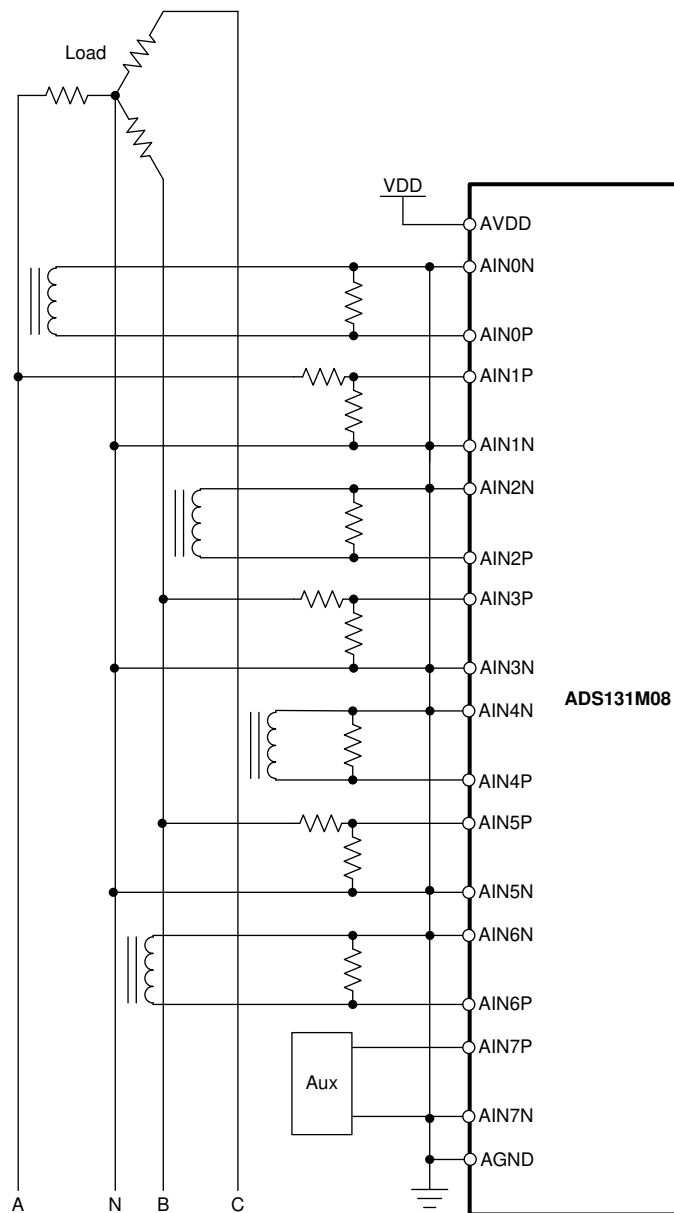


Figure 9-2. Minimum Connections Required to Operate the ADS131M08

### 9.1.4 Power Metrology Applications

Each channel of the ADS131M08 is identical, giving designers the flexibility to sense voltage or current with any channel. Simultaneous sampling allows the application to calculate instantaneous power for any simultaneous voltage and current measurement. This section provides a diagram depicting the common energy metrology configuration that can be used with the ADS131M08. A Rogowski coil can alternatively be used to sense current in the following example wherever a CT is used. The integration to determine the current flowing through the Rogowski coil is done digitally if that modification is made. RC antialiasing filters are not shown in the following diagrams for simplicity, but are recommended for all channels.

Figure 9-3 illustrates a three-phase configuration where live and neutral currents are monitored using CTs, the phase voltages are measured using a voltage divider, and the final channel is used for an auxiliary measurement. This auxiliary measurement can be temperature if connected to an external thermistor or other voltage output temperature sensor. Otherwise, this measurement can sense any other signal that requires monitoring on the board.



**Figure 9-3. Three-Phase Current and Voltage Measurement Front-End With a Neutral Current Monitor**

### 9.1.5 Multiple Device Configuration

Multiple ADS131M08 devices can be arranged to capture all signals simultaneously. The same clock must be provided to all devices and the  $\overline{\text{SYNC/RESET}}$  pins must be strobed simultaneously at least one time to align the sample periods internally between devices. The phase settings of each device can be changed uniquely, but the host must take care to record which channel in the group of devices represents the zero phase.

The devices can also share the SPI bus where only the  $\overline{\text{CS}}$  pins for each device are unique. Each device can be addressed sequentially by asserting  $\overline{\text{CS}}$  for the device that the host wishes to communicate with. The DOUT pin remains high impedance when the  $\overline{\text{CS}}$  pin is high, allowing the DOUT lines to be shared between devices as long as no two devices sharing the bus simultaneously have their  $\overline{\text{CS}}$  pins low. Figure 9-4 shows multiple devices configured for simultaneous data acquisition while sharing the SPI bus.

Monitoring the  $\overline{\text{DRDY}}$  output of only one of the devices is sufficient because all devices convert simultaneously.

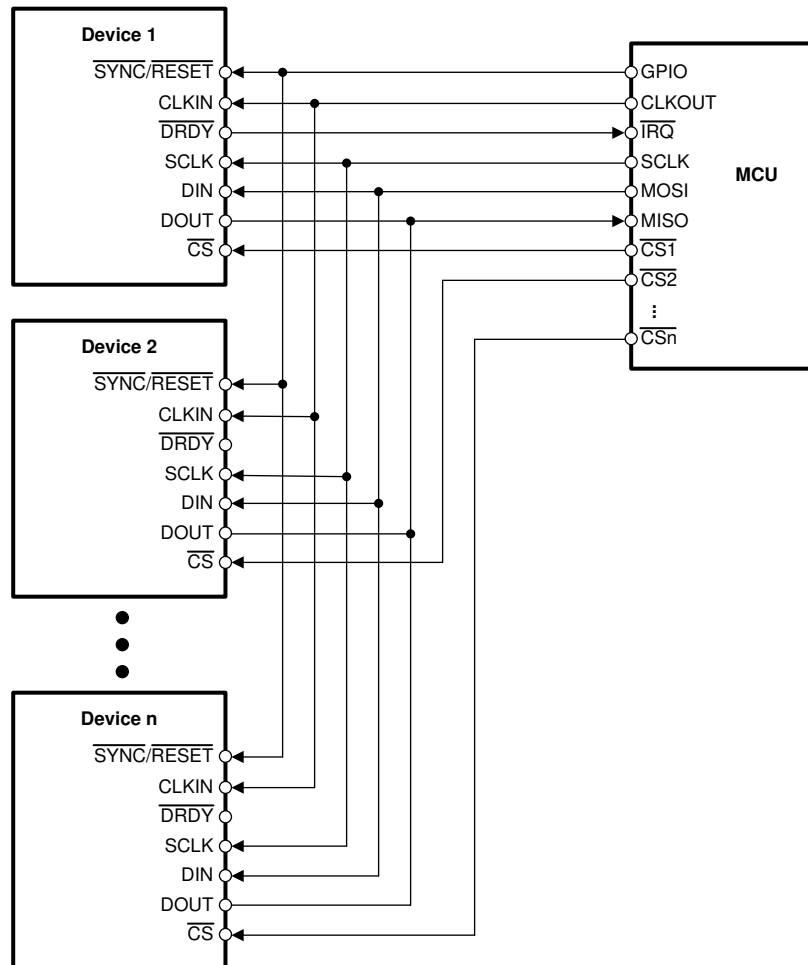


Figure 9-4. Multiple Device Configuration

### 9.1.6 Code Example

This section contains example pseudocode for a simple program that configures and streams data from the ADS131M08. The pseudocode is written to resemble C code. The code uses several descriptive precompiler-defined constants that are indicated in upper case. The definitions are not included for brevity. The program works in three sections: MCU initialization, ADC configuration, and data streaming. This code is not optimized for using the fast startup feature of the ADS131M08.

The MCU is initialized by enabling the necessary peripherals for this example. These peripherals include an SPI port, a GPIO configured as an input for the ADS131M08  $\overline{\text{DRDY}}$  output, a clock output to connect to the ADS131M08 CLKIN input, and a direct memory access (DMA) module that streams data from the SPI port into memory without significant processor intervention. The SPI port is configured to a 24-bit word size because the ADC default SPI word size is 24 bits. The  $\overline{\text{CS}}$  pin is configured to remain low as long as the SPI port is busy so that it does not de-assert in the middle of a frame.

The ADC is configured through register writes. A function referred to as *adcRegisterWrite* writes an ADC register using the SPI peripheral. No CRC data integrity is used in this example for simplicity, but is recommended. The ADC outputs are initially disabled so short frames can be written during initialization consistent with the guidance provided in the [Short SPI Frames](#) section. The ADC is configured to output  $\overline{\text{DRDY}}$  as pulses, the gain is changed to 32 for channels 1 and 3, and the DC block filter is used with a corner frequency of 622 mHz. Finally, the ADC word size is changed to 32 bits with an MSB sign extension to accommodate the MCU memory length and to allow for 32-bit DMA transfers. All other settings are left as defaults.

Data streaming is performed by using an interrupt that is configured to trigger on a negative edge received on the GPIO connected to the  $\overline{\text{DRDY}}$  pin. The interrupt service routine, referred to as *DRDYinterrupt*, sends six 32-bit dummy words to assert  $\overline{\text{CS}}$  and to toggle SCLK for the length of the entire ADC output frame. The ADC output frame consists of one 32-bit status word, four 32-bit ADC conversion data words, and an optional 32-bit CRC word. The frame is long enough for output CRC even though the CRC word is disabled in this example. The DMA module is configured to trigger upon receiving data on the SPI input. The DMA automatically sends the ADC data to a predetermined memory location as soon as the data are shifted into the MCU through the SPI input.

```
numFrameWords = 10;          // Number of words in a full ADS131M08 SPI frame
unsigned long spiDummyWord[numFrameWords] =
{
    0x00000000,
    0x00000000,
    0x00000000,
    0x00000000,
    0x00000000,
    0x00000000,
    0x00000000,
    0x00000000,
    0x00000000,
    0x00000000};           // Dummy word frame to write ADC during ADC data reads
```

```
bool firstRead = true;      // Flag to tell us if we are reading ADC data for the// first time
signed long adcData;        // Location where DMA will store ADC data in memory,
// length defined elsewhere/*
Interrupt the MCU each time DRDY asserts when collecting data
*/
DRDYinterrupt() {
    if(firstRead) {         // Clear the ADC's 2-deep FIFO on the first read
        for(i=0; i<numFrameWords; i++){
            SPI.write(spiDummyWord + i);
        }
        for(i=0; i<numFrameWords; i++){
            SPI.read();
        }
        firstRead = false; // Clear the flag
        DMA.enable();      // Let the DMA start sending ADC data to memory
    }
    for (i=0; i<numFrameWords; i++){// Send the dummy data to the ADC to get// the ADC data
        SPI.write(spiDummyWord + i);
    }
}
```

```

}
}
/*
adcRegisterWrite
Short function that writes one ADC register at a time. Blocks return until SPI
is idle. Returns false if the word length is wrong.
param
addrMask:      16-bit register address mask
data:          data to write
adcWordLength: word length which ADC expects. Either 16, 24 or 32.
return
true if word length was valid
false if not
*/
bool adcRegisterWrite(unsigned short addrMask, unsigned short data,
unsigned char adcWordLength){
unsigned char shiftValue;      // Stores the amount of bit shift based on
                               // ADC word length

if(adcWordLength==16){
shiftValue = 0;               // If length is 16, no shift
}else if(adcWordLength==24){
shiftValue = 8;              // If length is 24, shift left by 8
}else if(adcWordLength==32){
shiftValue = 16;            // If length is 32, shift left by 16
}else{
return false;                // If not, invalid length
}
SPI.write((WREG_OPCODE |      // Write address and opcode
addrMask) << shiftValue); // Shift to accommodate ADC word length

SPI.write(data << shiftValue); // Write register data
while(SPI.isBusy());          // Wait for data to complete sending
return true;
}
/*
main routine
*/
main(){
enableSupplies();
GPIO.inputEnable('input');    // Enable GPIO connected to DRDY
clkout.enable(8192000);       // Enable 8.192 MHz clock to CLKIN
SPI.enable();                 // Enable SPI port
SPI.wordLengthSet(24);        // ADC default word length is 24 bits
SPI.configCS(STAY_ASSERTED); // Configure CS to remain asserted until frame// is complete
while(!GPIO.read()){          // Wait for DRDY to go high indicating it is ok// to talk to ADC
adcRegisterWrite(CLOCK_ADDR, // Write CLOCK register
ALL_CH_DISABLE_MASK |        // Turn off all channels so short// frames can be written
during// config
OSR_1024_MASK | PWR_HR_MASK, 24); // Re-write defaults for other bits// in CLOCK register
adcRegisterWrite(MODE_ADDR, // Write MODE register
RESET_MASK | DRDY_FMT_PULSE_MASK | // Clear the RESET flag, make DRDY// active low pulse
WLENGTH_24_MASK |           // Re-write defaults for other bits
SPI_TIMEOUT_MASK, 24);      // in MODE register
adcRegisterWrite(GAIN1_ADDR, // Write GAIN1 register
PGAGAIN3_32_MASK |         // Set channels 1 and 3 PGA gain to
PGAGAIN1_32_MASK, 24);      // 32 in this example// Leave channels 0 and 2 at default// gain
of 1
adcRegisterWrite(THRSHLD_LSB_ADDR, // Write THRSHLD_LSB register
0x09, 24);                  // Set DCBLOCK filter to have a// corner frequency of 622 mHz
DMA.triggerSet(SPI); // Configure DMA to trigger when data comes in// on the MCU SPI port
DMA.txAddrSet(SPI.rxAddr()); // Set the DMA to take from the incoming SPI
// port
DMA.rxAddrSet(&adcData); // Set the DMA to send ADC data to a predefined
// memory location
adcRegisterWrite(MODE_ADDR, // Write MODE register
WLENGTH_32_SIGN_EXTEND_MASK | // Make ADC word size 32 bits to// accommodate DMA
DRDY_FMT_PULSE_MASK |       // Re-write other set bits in MODE
SPI_TIMEOUT_MASK, 24);      // register
SPI.wordLengthSet(32);      // Set SPI word size to 32 bits to// accomodate DMA
adcRegisterWrite(CLOCK_ADDR, // Write CLOCK register
ALL_CH_ENABLE_MASK |        // Turn on all ADC channels
OSR_1024_MASK | PWR_HR_MASK, 32); // Re-write defaults for other bits// in CLOCK register
GPIO.interuptEnable(); // Enable DRDY interrupt and begin streaming data
}

```

### 9.1.7 Troubleshooting

Table 9-1 lists common issues faced when designing with the ADS131M08 and the corresponding solutions. This list is not comprehensive.

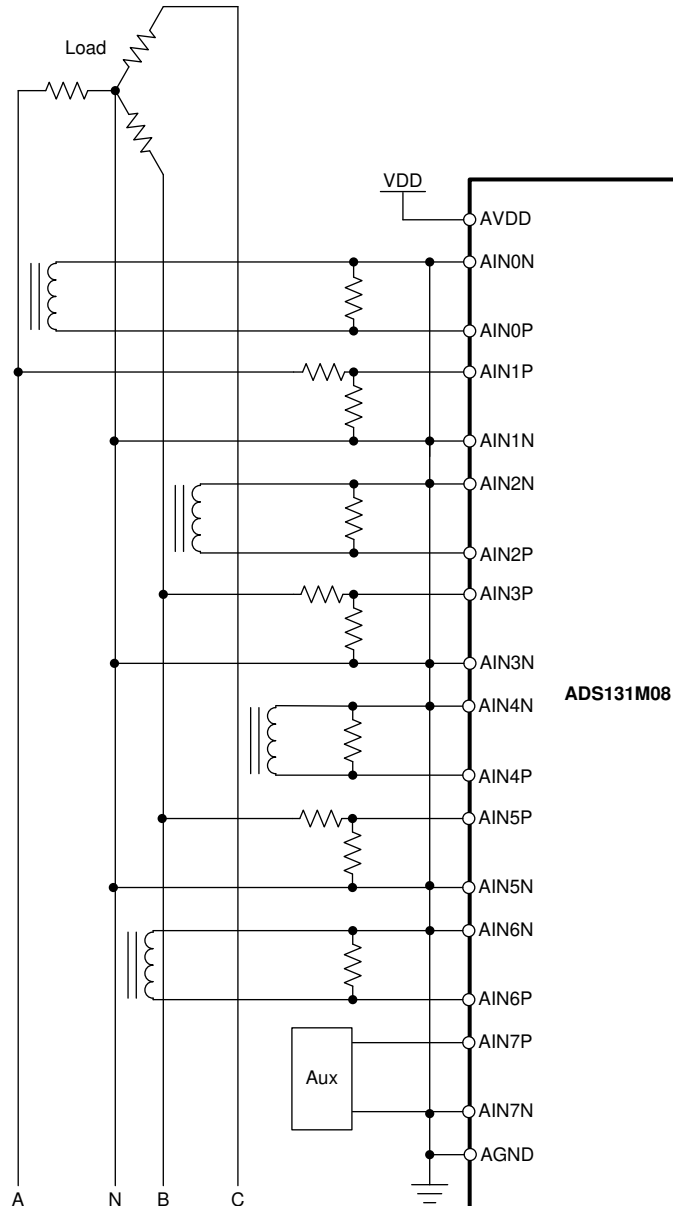
**Table 9-1. Troubleshooting Common Issues Using the ADS131M08**

ISSUE	POSSIBLE ROOT CAUSE	POSSIBLE SOLUTION
The $\overline{\text{DRDY}}$ pin is toggling at half the expected frequency.	ADC conversion data are not being read. The two-deep ADC data FIFO overflows and triggers $\overline{\text{DRDY}}$ one time every two ADC data periods.	Read data after each $\overline{\text{DRDY}}$ falling edge after following the recommendations given in the <a href="#">Collecting Data for the First Time or After a Pause in Data Collection</a> section.
The F_RESYNC bit is set in the STATUS word even though this bit was already cleared.	The $\overline{\text{SYNC/RESET}}$ pin is being toggled asynchronously to CLKIN.	The $\overline{\text{SYNC/RESET}}$ pin functions as a constant synchronization check, rather than a <i>convert start</i> pin. See the <a href="#">Synchronization</a> section for more details on the intended usage of the $\overline{\text{SYNC/RESET}}$ pin.
The same ADC conversion data are output twice before changing.	The entire frame is not being sent to the ADC. The ADC does not recognize data as being read.	Read all data words in the output data frame, including those for channels that are disabled.

## 9.2 Typical Application

This section describes a class 0.1 three-phase energy measurement front-end using the ADS131M08. The ADC samples the outputs of the CTs and voltage dividers to measure the current and voltage (respectively) of each leg of the AC mains. The design can achieve high accuracy across a wide input current range (0.05 A – 100 A) and supports high sampling frequencies necessary for advanced power quality features such as individual harmonic analysis. Using the ADS131M08 to sample the CT output provides designers greater flexibility in the choice of metrology microcontrollers when compared to an integrated system-on-a-chip (SoC) and dedicated application-specific products.

Figure 9-5 shows the front-end for the three-phase energy measurement design.



**Figure 9-5. Three-Phase Metrology Design Front-End**



## 9.2.1 Design Requirements

**Table 9-2. Key System Specifications**

FEATURES	DESCRIPTION
Number of phases	3 phases: three currents and three voltages measured (as well as neutral current)
E-meter accuracy class	Class 0.1
Current sensor	Current transformer
Current range	0.05 A to 100 A
Voltage range	100 V to 240 V
System nominal frequency	50 Hz or 60 Hz
Measured parameters	<ul style="list-style-type: none"> <li>Active, reactive, apparent power, and energy</li> <li>Root mean square (RMS) current and voltage</li> <li>Power factor</li> <li>Line frequency</li> <li>Neutral current</li> </ul>

## 9.2.2 Detailed Design Procedure

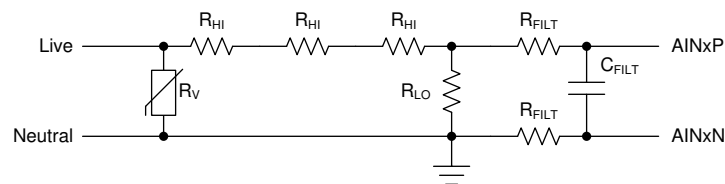
A current sensor connects to the current channels and a simple voltage divider is used for the corresponding voltage measurement. The CT has an associated burden resistor that must be connected at all times to protect the measuring device. The selection of the CT and the burden resistor is made based on the manufacturer and current range required for energy measurements. The voltage divider resistors for the voltage channel are selected to ensure the mains voltage is divided down to adhere to the normal input voltage ranges of the ADS131M08.

In this design, the ADS131M08 interacts with a microcontroller (MCU) in the following manner:

- The CLKIN clock used by the ADS131M08 device is provided by the MCU
- When new ADC samples are ready, the ADS131M08 device asserts its  $\overline{\text{DRDY}}$  pin, which alerts the MCU that new samples are available
- After being alerted of new samples, the MCU uses one of its SPI interfaces to retrieve the voltage and current samples from the ADS131M08

### 9.2.2.1 Voltage Measurement Front-End

The nominal voltage from the mains is from 100 V – 240 V so this voltage must be scaled down to be sensed by an ADC. Figure 9-6 shows the analog front-end used for this voltage scaling.



**Figure 9-6. Voltage Measurement Front-End**

The analog front-end for voltage consists of a spike protection varistor ( $R_V$ ), a voltage divider network ( $R_{HI}$  and  $R_{LO}$ ), and an RC low-pass filter ( $R_{FILT}$  and  $C_{FILT}$ ).

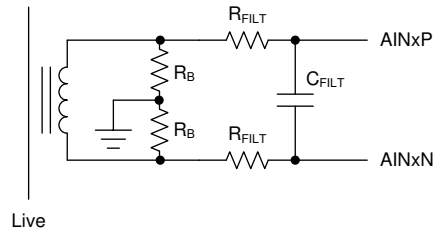
Equation 11 shows how to calculate the range of differential voltages fed to the voltage ADC channel for a given mains voltage and the selected voltage divider resistor values.

$$V_{ADC} = \pm V_{RMS} \times \sqrt{2} \times \frac{R_{LO}}{3R_{HI} + R_{LO}} \quad (11)$$

$R_{HI}$  is 300 k $\Omega$  and  $R_{LO}$  is 750  $\Omega$  in this design. For a mains voltage of 240 V (as measured between the line and neutral), the input signal to the voltage ADC has a voltage swing of  $\pm 256$  mV (182 mV<sub>RMS</sub>) based on Equation 11 and the selected resistor values. This voltage is well within the  $\pm 1.2$ -V input voltage range that can be sensed by the ADS131M08 for the selected PGA gain value of 1 that is used for the voltage channels.

### 9.2.2.2 Current Measurement Front-End

The analog front-end for current inputs is different from the analog front-end for the voltage inputs. Figure 9-7 shows the analog front-end used for a current channel.



**Figure 9-7. Current Measurement Front-End**

The analog front-end for current consists of burden resistors for the current transformers ( $R_B$ ) and an RC low-pass filter ( $R_{FILT}$  and  $C_{FILT}$ ) that functions as an antialias filter.

Two identical burden resistors in series are used with the common point being connected to GND instead of using one burden resistor for best THD performance. This split-burden resistor configuration ensures that the waveforms fed to the positive and negative terminals of the ADC are 180 degrees out-of-phase with each other, which provides the best THD results with this ADC. The total burden resistance is selected based on the current range used and the turns ratio specification of the CT (this design uses CTs with a turns ratio of 2000). The total value of the effective burden resistor ( $2R_B$ ) for this design is 12.98  $\Omega$ .

Equation 12 shows how to calculate the range of differential voltages fed to the current ADC channel for a given maximum current, CT turns ratio, and burden resistor value.

$$V_{ADC} = \pm I_{RMS} \times 2R_B \times \sqrt{2}/N_{CT} \quad (12)$$

Based on the maximum RMS current of 100 A, a CT turns ratio  $N_{CT}$  of 2000, and an effective burden resistor  $2R_B$  between AINxP and AINxN of 12.98  $\Omega$  for this design, the input signal to the current ADC has a voltage swing of  $\pm 918$  mV maximum (649 mV<sub>RMS</sub>) when the maximum current rating of the meter (100 A) is applied. This  $\pm 918$ -mV maximum input voltage is well within the  $\pm 1.2$ -V input range of the device for the selected PGA gain of 1 that is used for the current channels.

### 9.2.2.3 ADC Setup

The ADS131M08 receives its clock from the MCU in this design. The ADS131M08 is configured in HR mode and the MCU provides an 8.192-MHz master clock, which is within the allowable clock frequency range for HR mode. The MCU SPI port that is used to communicate with the ADS131M08 is configured to CPOL = 0 and CPHA = 1. The SPI clock frequency is configured to be 8.192 MHz so that all conversion data can be shifted out of the device successfully within the sample period. When powered on, the MCU configures the ADS131M08 registers with the following settings using SPI register writes.

- GAIN1 and GAIN2 register settings: PGA gain of 1 is used for all ADC channels.
- CHx\_CNG register settings (where x is the channel number): All ADC channel inputs are connected to the external ADC pins and the channel phase delay set to 0 for each channel. The channel phase setting can also be configured in this register. This design uses an integer number of output samples for phase calibration so the processing is done in software completely.
- CLOCK register settings: OSR = 512, all channels enabled, and HR mode.

After the ADS131M08 registers are properly initialized, the MCU is configured to generate a GPIO interrupt whenever a falling edge occurs on the  $\overline{\text{DRDY}}$  pin, which indicates that the ADS131M08 has new samples available.

The clock fed to the CLKIN pin of the ADS131M08 is internally divided by two to generate the modulator clock. The output data rate of the ADS131M08 is therefore  $f_{\text{MOD}} / \text{OSR} = f_{\text{CLKIN}} / (2 \times \text{OSR}) = 8 \text{ kSPS}$ .

#### 9.2.2.4 Calibration

Certain signal chain errors can be corrected through a single room temperature calibration. The ADS131M08 has the capability to store calibration values and use the values to correct the results in real time. Among those errors that can be corrected in real time with the ADS131M08 are offset error, gain error, and phase error.

Offset calibration is performed by determining the measured output of the signal chain when the input is zero voltage for a voltage channel or zero current for a current channel. The value can be measured and recorded in external non-volatile memory for each channel. When the system is deployed, these values can be provided to the CHn\_OCAL\_MSB and CHn\_OCAL\_LSB registers for the corresponding channels. The ADS131M08 then subtracts these values from its conversion results prior to providing them to the host. Alternatively, the integrated DC block filter can be used to implement offset correction.

Similar to offset error correction, system gain error can be determined prior to deployment and can be used to correct the gain error on each channel in real time. Gain error is defined as the percentage difference in the ADC transfer function from its PGA gain corrected ideal value of 1. This error can be determined by measuring the results from both a maximum and minimum input signal, finding the difference between these results, and dividing by the difference between the ideal difference. Equation 13 describes how to calculate gain error.

$$\text{Gain Error} = 1 - \frac{V_{\text{I Max,Measured}} - V_{\text{I Min,Measured}}}{V_{\text{I Max}} - V_{\text{I Min}}} \quad (13)$$

To correct for gain error, divide each offset-corrected conversion result by the measured gain. The ADS131M08 multiplies each conversion result by the calibration factor stored in the CHn\_GCAL\_MSB and CHn\_GCAL\_LSB registers according to the method described in the [Calibration Registers](#) section. The host can program the measured inverted gain values for each channel into these registers to have them automatically corrected for each sample.

The ADS131M08 can also correct for system phase error introduced by sensors. For this design, the CT introduces some phase error into the system. This design uses a software method for phase correction, but the ADS131M08 can perform this function in real time. The system must first measure the phase relationships between the various channels. Then, define one channel as *phase 0*. Subsequently, the PHASEn bits in the CHn\_CFG registers corresponding to the various other channels can be edited to correct their phase relationship relative to the phase 0 channels.

#### 9.2.2.5 Formulae

This section describes the formulas used for the power and energy calculations. Voltage and current samples are obtained at a sampling rate of 8000 Hz. All samples that are taken in approximately one-second (1 sec) frames are kept and used to obtain the RMS values for voltage and current for each phase.

Power and energy are calculated for active and reactive energy samples of one frame. These samples are phase-corrected. Then phase active and reactive powers are calculated through the following formulae:

$$P_{\text{Actual,ph}} = \frac{1}{N_{\text{samples}}} \sum_{n=0}^{N_{\text{samples}}-1} v[n] \times i[n] \quad (14)$$

$$P_{\text{Reactive,ph}} = \frac{1}{N_{\text{samples}}} \sum_{n=0}^{N_{\text{samples}}-1} v[n - n_{90^\circ}] \times i[n] \quad (15)$$

$$P_{\text{Apparent,ph}}^2 = P_{\text{Actual,ph}}^2 + P_{\text{Reactive,ph}}^2 \quad (16)$$

where:

- $v[n]$  = Voltage sample
- $i[n]$  = Current sample
- $N_{\text{samples}}$  = Number of samples in the approximately 1-second frame
- $v[n-n_{90^\circ}]$  = Voltage sample with a 90° phase shift
- $P_{\text{ACTUAL,ph}}$  = Instantaneous actual power for the measured phase
- $P_{\text{REACTIVE}}$  = Instantaneous reactive power for the measured phase
- $P_{\text{APPARENT,ph}}$  = Instantaneous apparent power for the measured phase

The 90° phase shift approach is used for two reasons:

1. This approach allows accurate measurement of the reactive power for very small currents
2. This approach conforms to the measurement method specified by IEC and ANSI standards

The calculated mains frequency is used to calculate the 90° shifted voltage sample. Because the frequency of the mains varies, the mains frequency is first measured accurately to phase shift the voltage samples accordingly.

To get an exact 90° phase shift, interpolation is used between two samples. For these two samples, a voltage sample slightly more than 90 degrees before the current sample and a voltage sample slightly less than 90° before the current sample are used. The phase shift implementation of the application consists of an integer part and a fractional part. The integer part is realized by providing an N samples delay. The fractional part is realized by a one-tap FIR filter.

The cumulative power values can be calculated by summing the per phase power results. The cumulative energy can be calculated by multiplying the cumulative power by the number of samples in the packet.

The host calculates the frequency in terms of samples-per-mains cycle by counting zero crossings of the sine wave. Equation 17 converts this result from a samples-per-mains cycle to Hertz.

$$\text{Frequency (Hz)} = \text{Data rate (samples / second)} / \text{Frequency (samples / cycle)} \quad (17)$$

After the active power and apparent power are calculated, the absolute value of the power factor is calculated. In the internal representation of power factor of the system, a positive power factor corresponds to a capacitive load and a negative power factor corresponds to an inductive load. The sign of the internal representation of power factor is determined by whether the current leads or lags voltage, which is determined in the background process. Therefore, Equation 18 and Equation 19 calculate the internal representation of the power factor:

$$\text{PF} = P_{\text{ACTUAL}} / P_{\text{APPARENT}}, \text{ if capacitive load} \quad (18)$$

$$\text{PF} = -P_{\text{ACTUAL}} / P_{\text{APPARENT}}, \text{ if inductive load} \quad (19)$$

### 9.2.3 Application Curves

A source generator was used to provide the voltages and currents to the system. In this design, a nominal voltage of 240 V between the line and neutral, a calibration current of 10 A, and a nominal frequency of 60 Hz were used for each phase.

When the voltages and currents are applied to the system, the design outputs the cumulative active energy pulses and cumulative reactive energy pulses at a rate of 6400 pulses per kilowatt hour. This pulse output was fed into a reference meter that determined the energy percentage error based on the actual energy provided to the system and the measured energy as determined by the active and reactive energy output pulse of the system.

The current was varied from 50 mA to 100 A for the cumulative active energy error and cumulative reactive energy error testing. A phase shift of 0°, 60°, and -60° was applied between the voltage and current waveforms

fed to the design for cumulative active energy testing. Based on the error from the active energy output pulse, several plots of active energy percentage error versus current were created for 0°, 60°, and –60° phase shifts. For the cumulative reactive energy error testing, a similar process was followed except that 30°, 60°, –30°, and –60° phase shifts were used, and the cumulative reactive energy error was plotted instead of the cumulative active energy error. In the cumulative active and reactive energy testing, the sum of the energy reading of each phase was tested for accuracy.

In addition to testing active energy by varying current, active energy was also tested by varying the RMS voltage from 240 V to 15 V and measuring the active energy percentage error.

The front-end was calibrated before obtaining the following results. The active energy results are within 0.1% at 0° phase shift. At 60° and –60° phase shift, which is allowed to have relaxed accuracy in electricity meter standards, the trend where the results deviate at higher currents is from the CT phase shift varying across current.

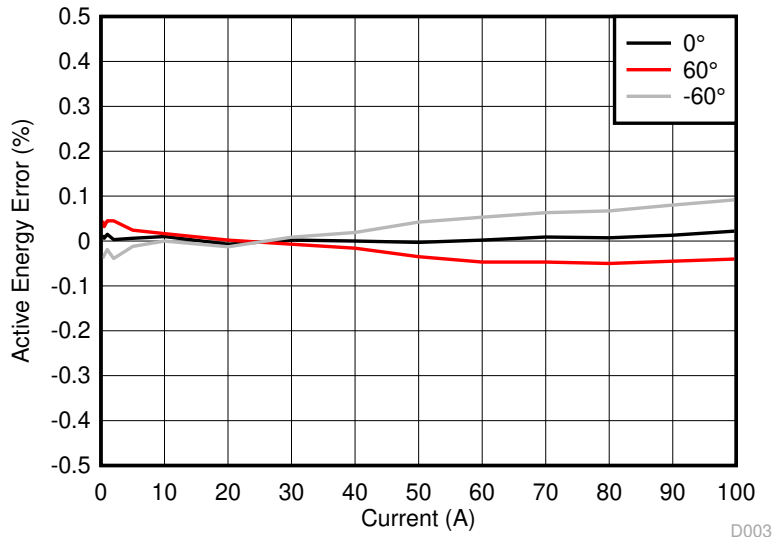
[Table 9-3](#) shows the cumulative active energy accuracy results with changing voltage. [Table 9-4](#) shows the cumulative active energy results with varying current. [Figure 9-8](#) shows a plot of the values in [Table 9-4](#).

**Table 9-3. Cumulative Phase Active Energy % Error Versus Voltage, Two-Voltage Mode**

VOLTAGE (V)	% ERROR
240	0.0353
120	0.022
60	0.016
30	0.014
15	0.013

**Table 9-4. Cumulative Phase Active Energy % Error Versus Current**

CURRENT (A)	0°	60°	–60°
0.05	0.019	0.045	–0.032
0.10	0.006	0.058	–0.032
0.25	0.0125	0.045	–0.0385
0.50	0.006	0.032	–0.032
1.00	0.015	0.045	–0.019
2.00	0.003	0.045	–0.039
5.00	0.006	0.024	–0.012
10.00	0.01	0.0165	0
20.00	–0.007	0.002	–0.013
30.00	0.002	–0.007	0.0085
40.00	0	–0.016	0.019
50.00	–0.003	–0.035	0.042
60.00	0.002	–0.047	0.053
70.00	0.009	–0.047	0.063
80.00	0.007	–0.05	0.067
90.00	0.013	–0.045	0.08
100.00	0.0223	–0.04	0.092

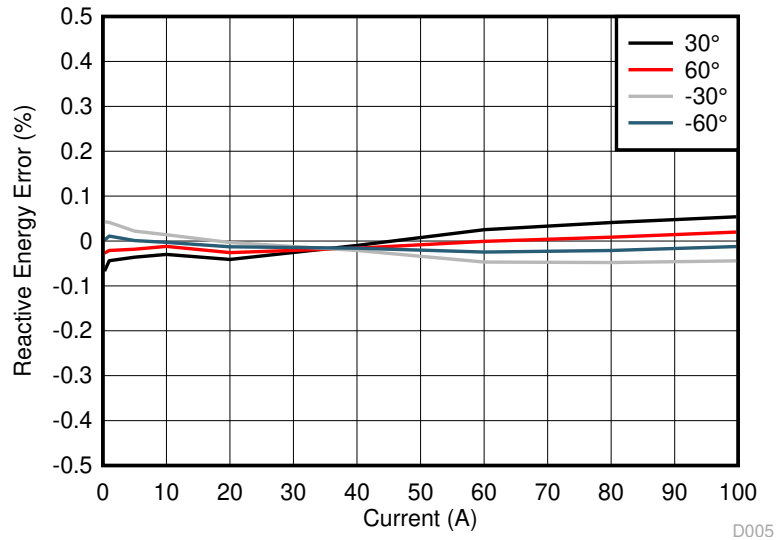


**Figure 9-8. Cumulative Phase Active Energy % Error Versus Current**

Table 9-5 shows the cumulative reactive energy accuracy results with changing current. Figure 9-9 shows a plot of the values in Table 9-4.

**Table 9-5. Cumulative Reactive Energy % Error Versus Current**

CURRENT (A)	30°	60°	-30°	-60°
0.05	-0.003	0.004	-0.023	-0.027
0.10	-0.037	-0.013	0.011	-0.008
0.25	-0.067	-0.027	0.043	0.002
1.00	-0.044	-0.021	0.0415	0.011
5.00	-0.036	-0.0183	0.022	0.001
10.00	-0.03	-0.012	0.014	-0.003
20.00	-0.041	-0.026	-0.0035	-0.013
40.00	-0.01	-0.016	-0.021	-0.016
60.00	0.025	-0.0007	-0.047	-0.0247
80.00	0.041	0.0085	-0.048	-0.021
100.00	0.054	0.02	-0.044	-0.012



**Figure 9-9. Cumulative Reactive Energy % Error Versus Current**

## 10 Power Supply Recommendations

### 10.1 CAP Pin Behavior

The ADS131M08 core digital voltage of 1.8 V is created from an internal LDO from DVDD. The CAP pin outputs the LDO voltage created from the DVDD supply and requires an external bypass capacitor. When operating from DVDD > 2.7 V, place a 220-nF capacitor on the CAP pin to DGND. If DVDD ≤ 2 V, tie the CAP pin directly to the DVDD pin and decouple the star-connected pins using a 100-nF capacitor to DGND.

### 10.2 Power-Supply Sequencing

The power supplies can be sequenced in any order but the analog and digital inputs must never exceed the respective analog or digital power-supply voltage limits.

### 10.3 Power-Supply Decoupling

Good power-supply decoupling is important to achieve optimum performance. AVDD and DVDD must each be decoupled with a 1-μF capacitor. Place the bypass capacitors as close to the power-supply pins of the device as possible with low-impedance connections. Using multi-layer ceramic chip capacitors (MLCCs) that offer low equivalent series resistance (ESR) and inductance (ESL) characteristics are recommended for power-supply decoupling purposes. For very sensitive systems, or for systems in harsh noise environments, avoiding the use of vias for connecting the capacitors to the device pins can offer superior noise immunity. The use of multiple vias in parallel lowers the overall inductance and is beneficial for connections to ground planes. The analog and digital ground are recommended to be connected together as close to the device as possible.

## 11 Layout

### 11.1 Layout Guidelines

For best performance, dedicate an entire PCB layer to a ground plane and do not route any other signal traces on this layer. However, depending on restrictions imposed by specific end equipment, a dedicated ground plane may not be practical. If ground plane separation is necessary, make a direct connection of the planes at the ADC. Do not connect individual ground planes at multiple locations because this configuration creates ground loops.

Route digital traces away from all analog inputs and associated components in order to minimize interference.

Use C0G capacitors on the analog inputs. Use ceramic capacitors (for example, X7R grade) for the power-supply decoupling capacitors. High-K capacitors (Y5V) are not recommended. Place the required capacitors as close as possible to the device pins using short, direct traces. For optimum performance, use low-impedance connections on the ground-side connections of the bypass capacitors.

When applying an external clock, be sure the clock is free of overshoot and glitches. A source-termination resistor placed at the clock buffer often helps reduce overshoot. Glitches present on the clock input can lead to noise within the conversion data.



## 11.2 Layout Example

Figure 11-1 shows an example layout of the ADS131M08 requiring a minimum of two PCB layers. In general, analog signals and planes are partitioned to the left and digital signals and planes to the right.

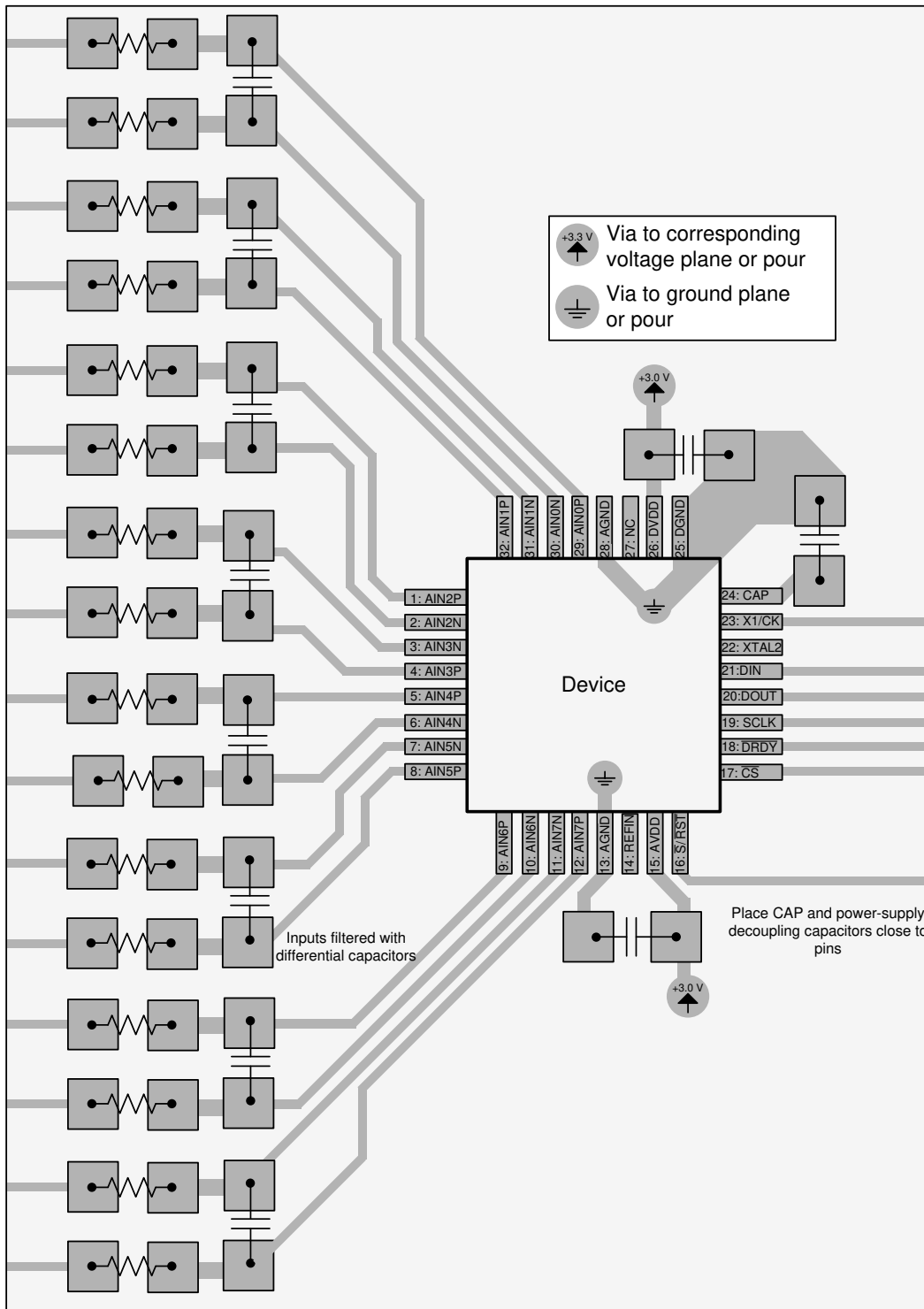


Figure 11-1. Layout Example

## 12 Device and Documentation Support

### 12.1 Documentation Support

#### 12.1.1 Related Documentation

For related documentation see the following:

- Texas Instruments, [One-phase shunt electricity meter reference design using standalone ADCs design guide](#)
- Texas Instruments, [High accuracy split-phase CT electricity meter reference design using standalone ADCs design guide](#)
- Texas Instruments, [ADC energy metrology library software](#)

#### 12.2 Receiving Notification of Documentation Updates

To receive notification of documentation updates, navigate to the device product folder on [ti.com](#). Click on *Subscribe to updates* to register and receive a weekly digest of any product information that has changed. For change details, review the revision history included in any revised document.

#### 12.3 Support Resources

TI E2E™ [support forums](#) are an engineer's go-to source for fast, verified answers and design help — straight from the experts. Search existing answers or ask your own question to get the quick design help you need.

Linked content is provided "AS IS" by the respective contributors. They do not constitute TI specifications and do not necessarily reflect TI's views; see TI's [Terms of Use](#).

#### 12.4 Trademarks

TI E2E™ is a trademark of Texas Instruments.

All trademarks are the property of their respective owners.

#### 12.5 Electrostatic Discharge Caution



This integrated circuit can be damaged by ESD. Texas Instruments recommends that all integrated circuits be handled with appropriate precautions. Failure to observe proper handling and installation procedures can cause damage.

ESD damage can range from subtle performance degradation to complete device failure. Precision integrated circuits may be more susceptible to damage because very small parametric changes could cause the device not to meet its published specifications.

#### 12.6 Glossary

[TI Glossary](#) This glossary lists and explains terms, acronyms, and definitions.

## 13 Mechanical, Packaging, and Orderable Information

The following pages include mechanical, packaging, and orderable information. This information is the most current data available for the designated devices. This data is subject to change without notice and revision of this document. For browser-based versions of this data sheet, refer to the left-hand navigation.

**PACKAGING INFORMATION**

Orderable Device	Status (1)	Package Type	Package Drawing	Pins	Package Qty	Eco Plan (2)	Lead finish/ Ball material (6)	MSL Peak Temp (3)	Op Temp (°C)	Device Marking (4/5)	Samples
ADS131M08IPBS	ACTIVE	TQFP	PBS	32	250	RoHS & Green	NIPDAU	Level-2-260C-1 YEAR	-40 to 125	131M08	<a href="#">Samples</a>
ADS131M08IPBSR	ACTIVE	TQFP	PBS	32	1000	RoHS & Green	NIPDAU	Level-2-260C-1 YEAR	-40 to 125	131M08	<a href="#">Samples</a>
ADS131M08IRSNR	ACTIVE	QFN	RSN	32	3000	RoHS & Green	NIPDAU	Level-1-260C-UNLIM	-40 to 125	ADS 131M08	<a href="#">Samples</a>
ADS131M08IRSNT	ACTIVE	QFN	RSN	32	250	RoHS & Green	NIPDAU	Level-1-260C-UNLIM	-40 to 125	ADS 131M08	<a href="#">Samples</a>

(1) The marketing status values are defined as follows:

**ACTIVE:** Product device recommended for new designs.

**LIFEBUY:** TI has announced that the device will be discontinued, and a lifetime-buy period is in effect.

**NRND:** Not recommended for new designs. Device is in production to support existing customers, but TI does not recommend using this part in a new design.

**PREVIEW:** Device has been announced but is not in production. Samples may or may not be available.

**OBSELETE:** TI has discontinued the production of the device.

(2) **RoHS:** TI defines "RoHS" to mean semiconductor products that are compliant with the current EU RoHS requirements for all 10 RoHS substances, including the requirement that RoHS substance do not exceed 0.1% by weight in homogeneous materials. Where designed to be soldered at high temperatures, "RoHS" products are suitable for use in specified lead-free processes. TI may reference these types of products as "Pb-Free".

**RoHS Exempt:** TI defines "RoHS Exempt" to mean products that contain lead but are compliant with EU RoHS pursuant to a specific EU RoHS exemption.

**Green:** TI defines "Green" to mean the content of Chlorine (Cl) and Bromine (Br) based flame retardants meet JS709B low halogen requirements of <=1000ppm threshold. Antimony trioxide based flame retardants must also meet the <=1000ppm threshold requirement.

(3) MSL, Peak Temp. - The Moisture Sensitivity Level rating according to the JEDEC industry standard classifications, and peak solder temperature.

(4) There may be additional marking, which relates to the logo, the lot trace code information, or the environmental category on the device.

(5) Multiple Device Markings will be inside parentheses. Only one Device Marking contained in parentheses and separated by a "-" will appear on a device. If a line is indented then it is a continuation of the previous line and the two combined represent the entire Device Marking for that device.

(6) Lead finish/Ball material - Orderable Devices may have multiple material finish options. Finish options are separated by a vertical ruled line. Lead finish/Ball material values may wrap to two lines if the finish value exceeds the maximum column width.

**Important Information and Disclaimer:**The information provided on this page represents TI's knowledge and belief as of the date that it is provided. TI bases its knowledge and belief on information provided by third parties, and makes no representation or warranty as to the accuracy of such information. Efforts are underway to better integrate information from third parties. TI has taken and

continues to take reasonable steps to provide representative and accurate information but may not have conducted destructive testing or chemical analysis on incoming materials and chemicals. TI and TI suppliers consider certain information to be proprietary, and thus CAS numbers and other limited information may not be available for release.

In no event shall TI's liability arising out of such information exceed the total purchase price of the TI part(s) at issue in this document sold by TI to Customer on an annual basis.

**TAPE AND REEL INFORMATION**

**QUADRANT ASSIGNMENTS FOR PIN 1 ORIENTATION IN TAPE**


\*All dimensions are nominal

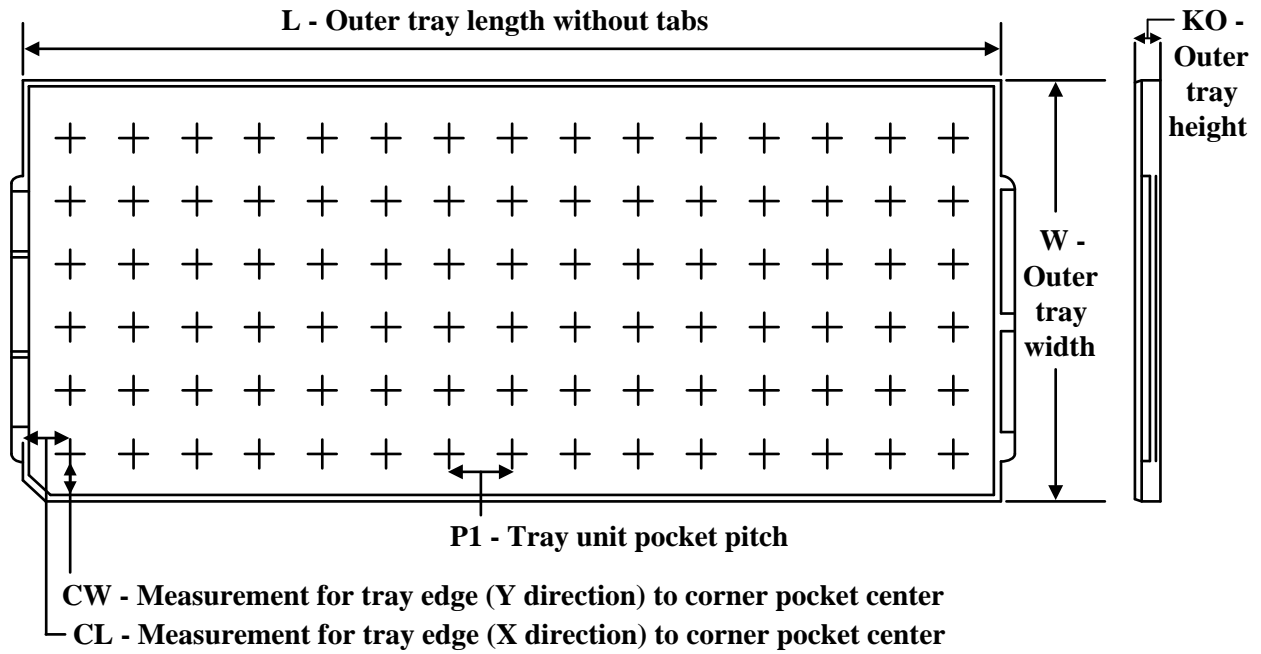
Device	Package Type	Package Drawing	Pins	SPQ	Reel Diameter (mm)	Reel Width W1 (mm)	A0 (mm)	B0 (mm)	K0 (mm)	P1 (mm)	W (mm)	Pin1 Quadrant
ADS131M08IPBSR	TQFP	PBS	32	1000	330.0	16.4	7.2	7.2	1.5	12.0	16.0	Q2
ADS131M08IRSNR	QFN	RSN	32	3000	330.0	12.4	4.25	4.25	1.15	8.0	12.0	Q2
ADS131M08IRSNT	QFN	RSN	32	250	180.0	12.4	4.25	4.25	1.15	8.0	12.0	Q2

**TAPE AND REEL BOX DIMENSIONS**


\*All dimensions are nominal

Device	Package Type	Package Drawing	Pins	SPQ	Length (mm)	Width (mm)	Height (mm)
ADS131M08IPBSR	TQFP	PBS	32	1000	367.0	367.0	38.0
ADS131M08IRSNR	QFN	RSN	32	3000	367.0	367.0	35.0
ADS131M08IRSNT	QFN	RSN	32	250	210.0	185.0	35.0

**TRAY**



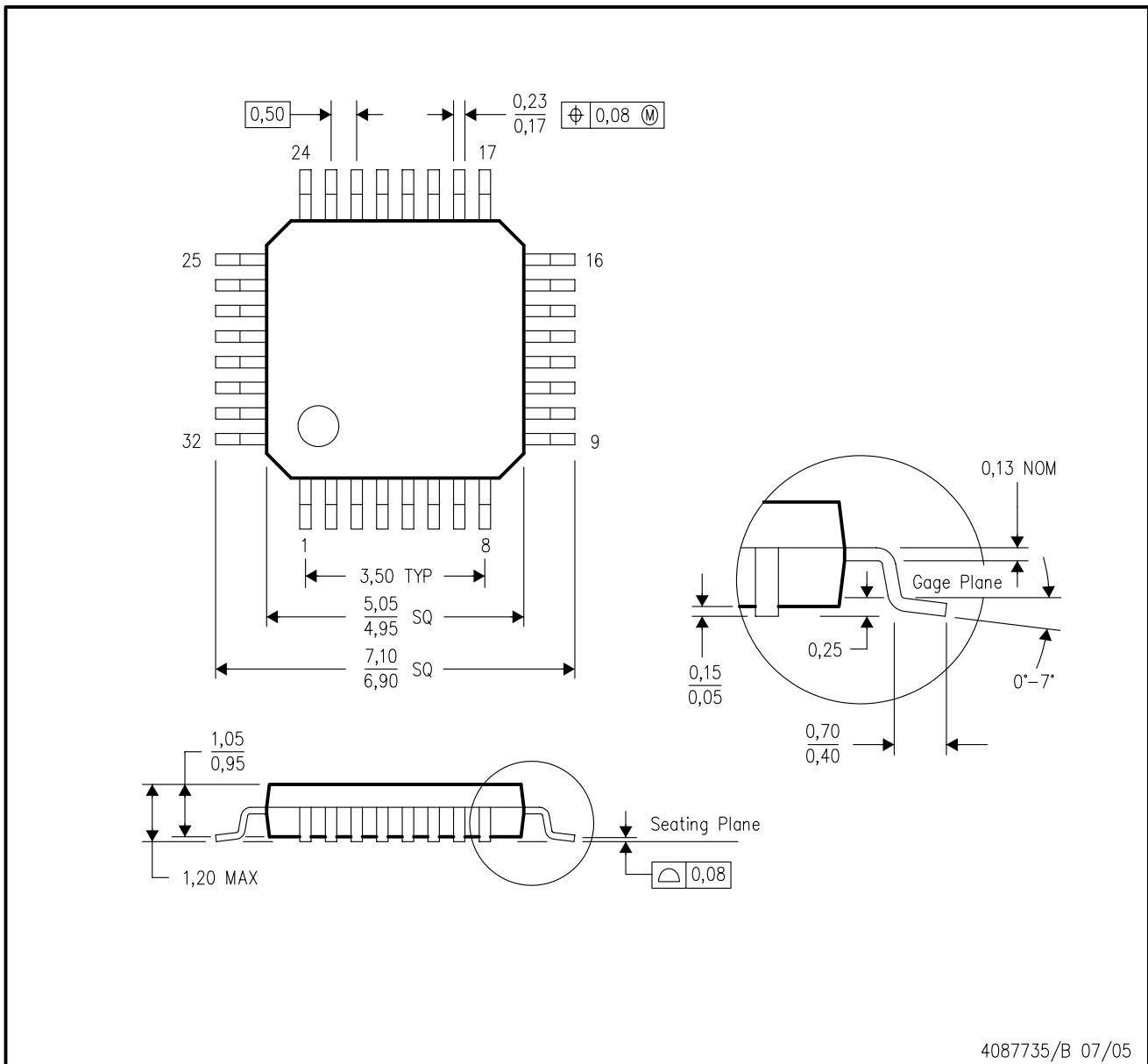
Chamfer on Tray corner indicates Pin 1 orientation of packed units.

\*All dimensions are nominal

Device	Package Name	Package Type	Pins	SPQ	Unit array matrix	Max temperature (°C)	L (mm)	W (mm)	K0 (µm)	P1 (mm)	CL (mm)	CW (mm)
ADS131M08IPBS	PBS	TQFP	32	250	10 x 25	150	315	135.9	7620	12.2	11.5	11.45

PBS (S-PQFP-G32)

PLASTIC QUAD FLATPACK

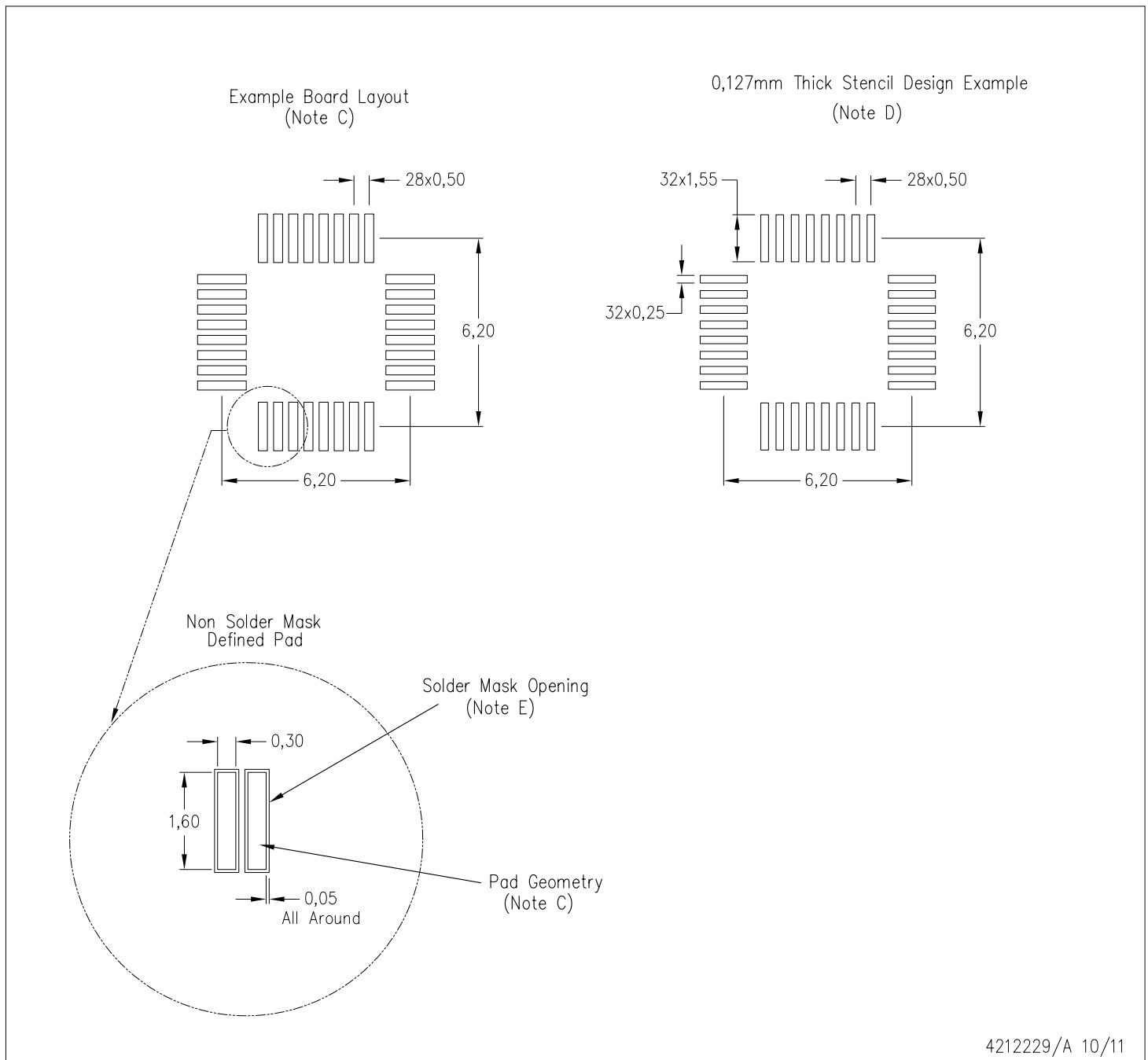


- NOTES: A. All linear dimensions are in millimeters.  
B. This drawing is subject to change without notice.



PBS (S-PQFP-G32)

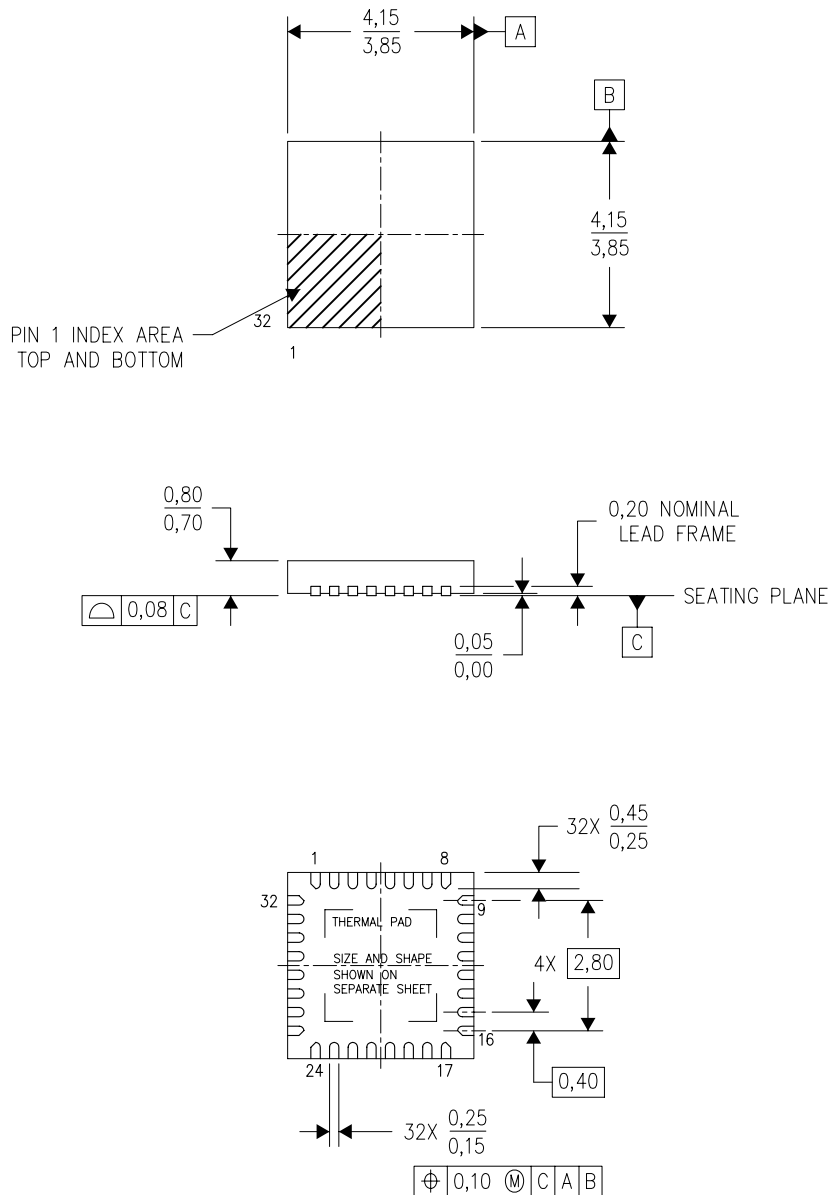
PLASTIC QUAD FLATPACK



- NOTES:
- All linear dimensions are in millimeters.
  - This drawing is subject to change without notice.
  - Publication IPC-7351 is recommended for alternate designs.
  - Laser cutting apertures with trapezoidal walls and also rounding corners will offer better paste release. Customers should contact their board assembly site for stencil design recommendations. Refer to IPC 7525 for stencil design considerations.
  - Customers should contact their board fabrication site for recommended solder mask tolerances between and around signal pads.

RSN (S-PWQFN-N32)

PLASTIC QUAD FLATPACK NO-LEAD



4207561/C 08/11

- NOTES:
- All linear dimensions are in millimeters. Dimensioning and tolerancing per ASME Y14.5M-1994.
  - This drawing is subject to change without notice.
  - QFN (Quad Flatpack No-Lead) Package configuration.
  - The package thermal pad must be soldered to the board for thermal and mechanical performance.
  - See the additional figure in the Product Data Sheet for details regarding the exposed thermal pad features and dimensions.

## THERMAL PAD MECHANICAL DATA

RSN (S-PWQFN-N32)

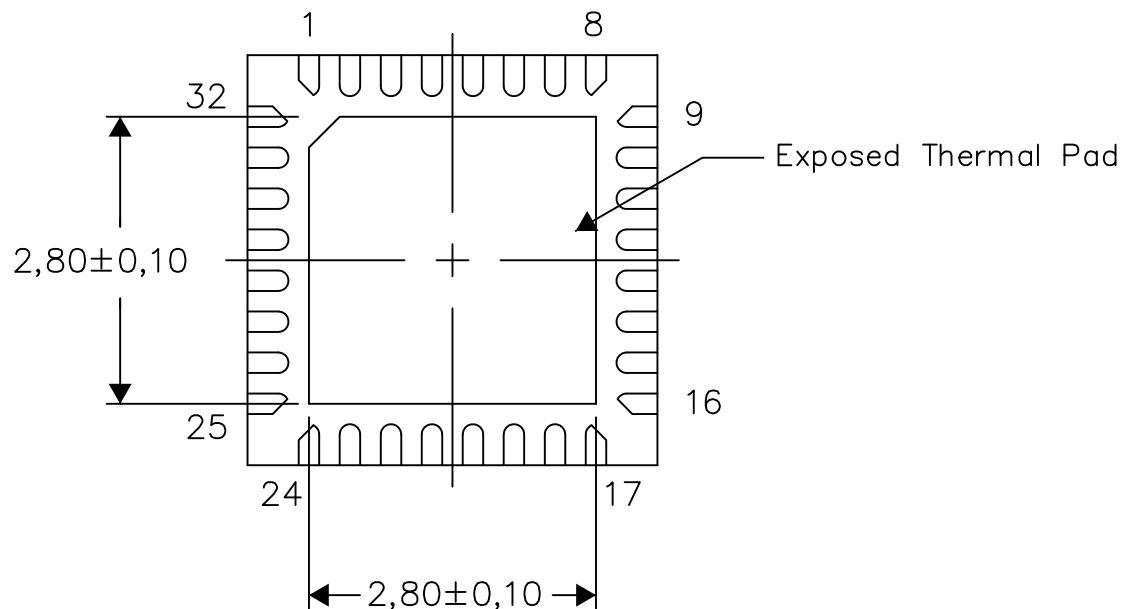
PLASTIC QUAD FLATPACK NO-LEAD

### THERMAL INFORMATION

This package incorporates an exposed thermal pad that is designed to be attached directly to an external heatsink. The thermal pad must be soldered directly to the printed circuit board (PCB). After soldering, the PCB can be used as a heatsink. In addition, through the use of thermal vias, the thermal pad can be attached directly to the appropriate copper plane shown in the electrical schematic for the device, or alternatively, can be attached to a special heatsink structure designed into the PCB. This design optimizes the heat transfer from the integrated circuit (IC).

For information on the Quad Flatpack No-Lead (QFN) package and its advantages, refer to Application Report, QFN/SON PCB Attachment, Texas Instruments Literature No. SLUA271. This document is available at [www.ti.com](http://www.ti.com).

The exposed thermal pad dimensions for this package are shown in the following illustration.



Bottom View

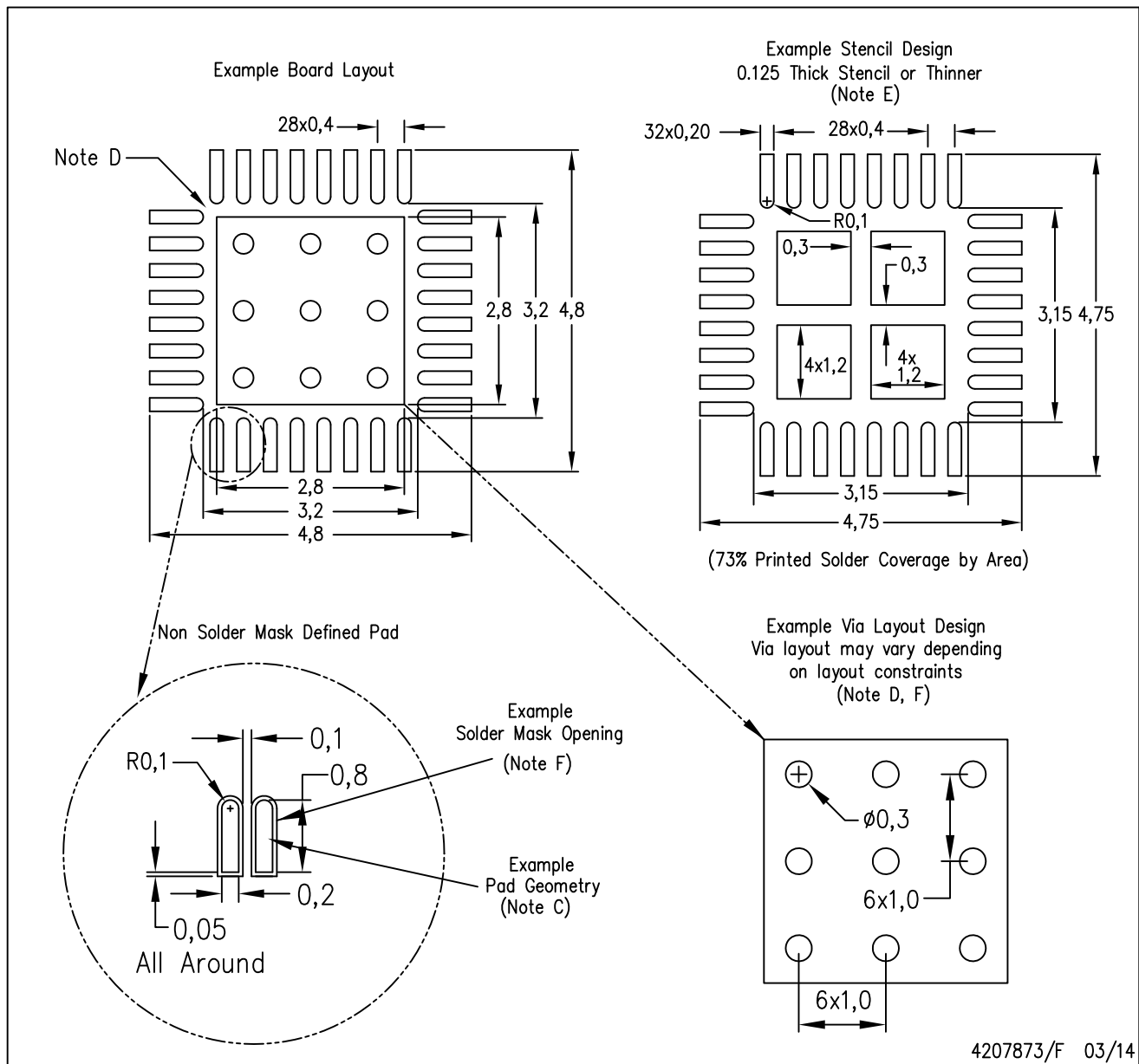
Exposed Thermal Pad Dimensions

4209775-2/F 03/14

NOTE: All linear dimensions are in millimeters

RSN (S-PWQFN-N32)

PLASTIC QUAD FLATPACK NO-LEAD



- NOTES:
- All linear dimensions are in millimeters.
  - This drawing is subject to change without notice.
  - Publication IPC-7351 is recommended for alternate designs.
  - This package is designed to be soldered to a thermal pad on the board. Refer to Application Note, Quad Flat-Pack Packages, Texas Instruments Literature No. SLUA271, and also the Product Data Sheets for specific thermal information, via requirements, and recommended board layout. These documents are available at [www.ti.com](http://www.ti.com) <<http://www.ti.com>>.
  - Laser cutting apertures with trapezoidal walls and also rounding corners will offer better paste release. Customers should contact their board assembly site for stencil design recommendations. Refer to IPC 7525 for stencil design considerations.
  - Customers should contact their board fabrication site for recommended solder mask tolerances and via tenting recommendations for vias placed in the thermal pad.

## IMPORTANT NOTICE AND DISCLAIMER

TI PROVIDES TECHNICAL AND RELIABILITY DATA (INCLUDING DATA SHEETS), DESIGN RESOURCES (INCLUDING REFERENCE DESIGNS), APPLICATION OR OTHER DESIGN ADVICE, WEB TOOLS, SAFETY INFORMATION, AND OTHER RESOURCES "AS IS" AND WITH ALL FAULTS, AND DISCLAIMS ALL WARRANTIES, EXPRESS AND IMPLIED, INCLUDING WITHOUT LIMITATION ANY IMPLIED WARRANTIES OF MERCHANTABILITY, FITNESS FOR A PARTICULAR PURPOSE OR NON-INFRINGEMENT OF THIRD PARTY INTELLECTUAL PROPERTY RIGHTS.

These resources are intended for skilled developers designing with TI products. You are solely responsible for (1) selecting the appropriate TI products for your application, (2) designing, validating and testing your application, and (3) ensuring your application meets applicable standards, and any other safety, security, regulatory or other requirements.

These resources are subject to change without notice. TI grants you permission to use these resources only for development of an application that uses the TI products described in the resource. Other reproduction and display of these resources is prohibited. No license is granted to any other TI intellectual property right or to any third party intellectual property right. TI disclaims responsibility for, and you will fully indemnify TI and its representatives against, any claims, damages, costs, losses, and liabilities arising out of your use of these resources.

TI's products are provided subject to [TI's Terms of Sale](#) or other applicable terms available either on [ti.com](https://www.ti.com) or provided in conjunction with such TI products. TI's provision of these resources does not expand or otherwise alter TI's applicable warranties or warranty disclaimers for TI products.

TI objects to and rejects any additional or different terms you may have proposed.

Mailing Address: Texas Instruments, Post Office Box 655303, Dallas, Texas 75265  
Copyright © 2023, Texas Instruments Incorporated