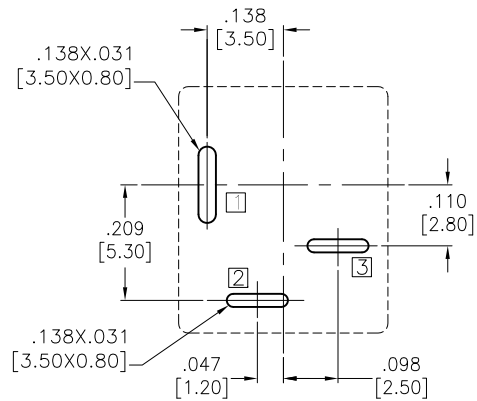
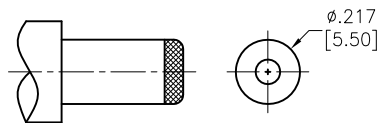
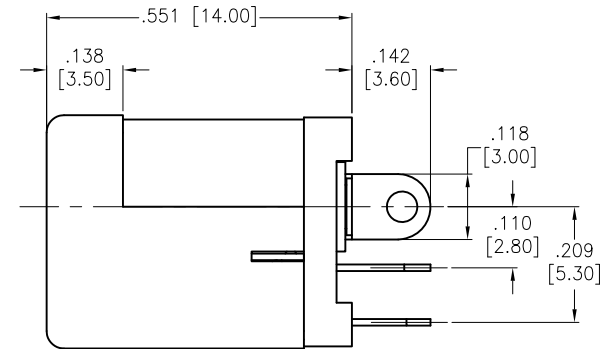
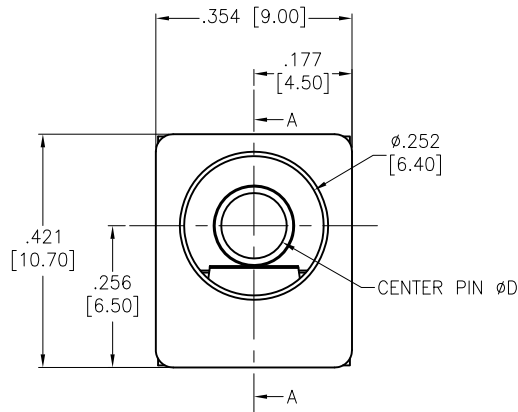


APPROVED: _____
 DATE: _____ TITLE: _____

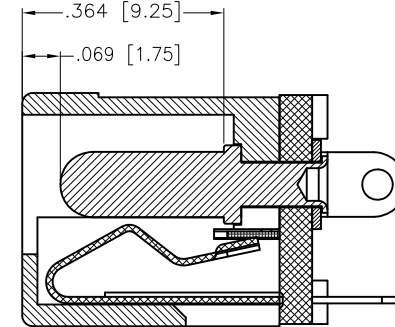
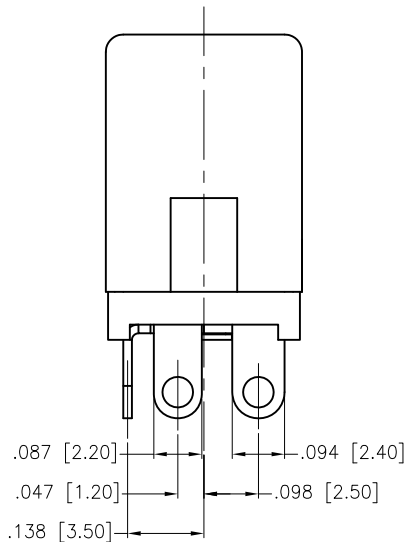
Rev	AWO #	Description	Date	Appr
-		RELEASED	6/8/17	



RECOMMENDED PCB LAYOUT



DC MATE PLUG

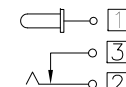


SECTION A-A

SPECIFICATIONS:
 Material:
 Insulator: PBT, rated UL 94V-0
 Insulator color: Black
 Center Pin: Copper Alloy, Cu/Sn plated
 Contacts: Copper Alloy
 Plating:
 Silver over Nickel underplate overall
 Electrical:
 Rating: 12VDC, 5A
 Contact resistance: 30 mohms max
 Insulation resistance: 100 Mohms min
 Withstanding voltage: 500 VAC
 Temperature Rating:
 Operating temperature: -20°C to +70°C
 Environmental:
 Lead free, RoHS compliant



SCHMATIC



PART NO.	CENTER PIN DIA.
ADC-H-010-1	.079 [2.00]
ADC-H-010-2	.098 [2.50]
ADC-H-010-5	.092 [2.35]
ADC-H-010-10	.118 [3.00]

UNLESS OTHERWISE SPECIFIED
 ALL DIMENSIONS ARE INCHES [MM]
 TOLERANCES: EXCEPT AS NOTED
 INCHES HOLES

.X ± .10	∅X ± .10
.XX ± .020	∅XX ± .015
.XXX ± .015	∅XXX ± .010

ADAM TECH

909 Rahway Avenue, Union, NJ 07083
 Phone: 908-687-5000 Fax: 908-687-5710

APPROVALS		DATE
DRAWN	HR	6/8/17
CHECKED	MY	6/8/17
APPROVED		

TITLE			
DC POWER JACK, STRAIGHT, HIGH CURRENT			
SIZE	PART NO.	REV.	
X	ADC-H-010-X	-	
REF:	S00002C	SCALE:	NTS
		SHEET 1 OF 1	