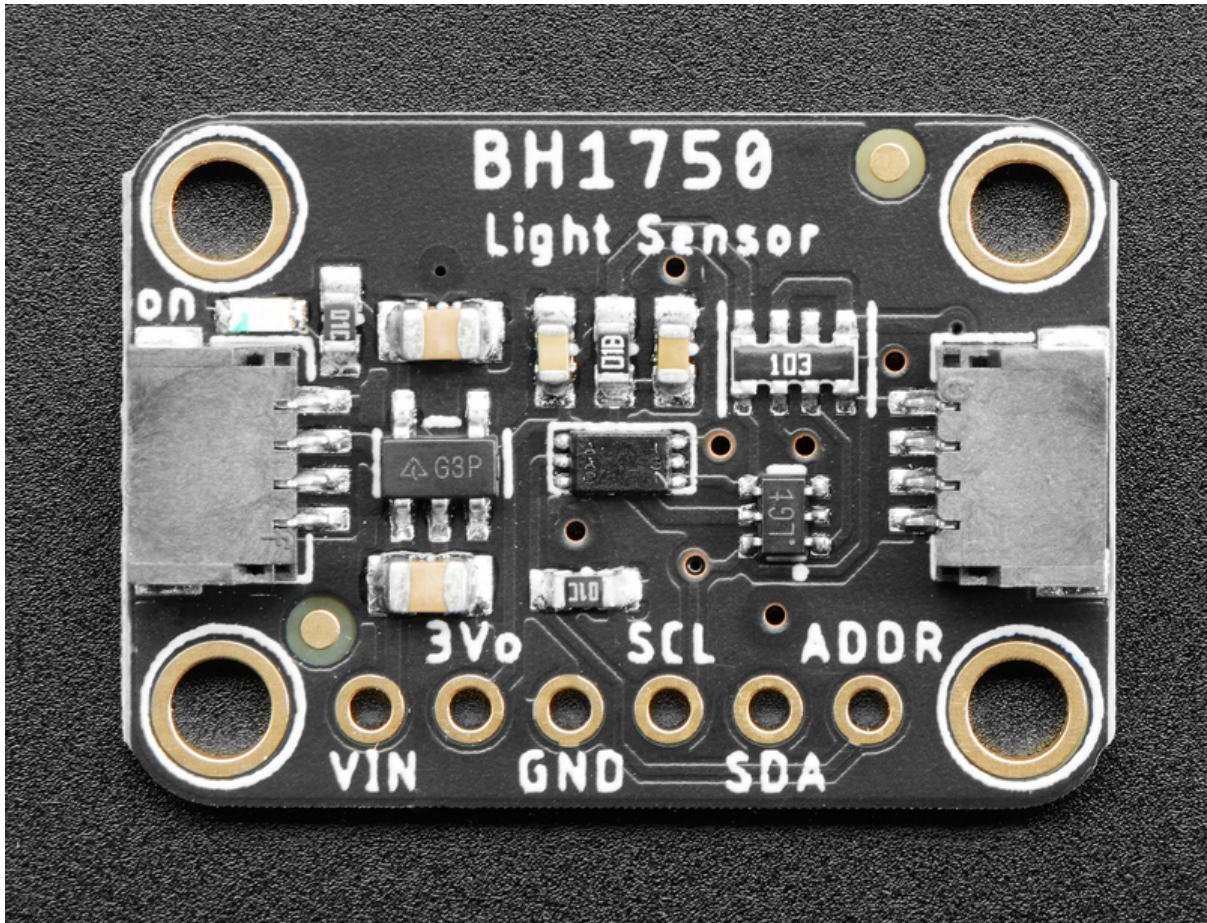




Adafruit BH1750 Ambient Light Sensor

Created by Bryan Siepert



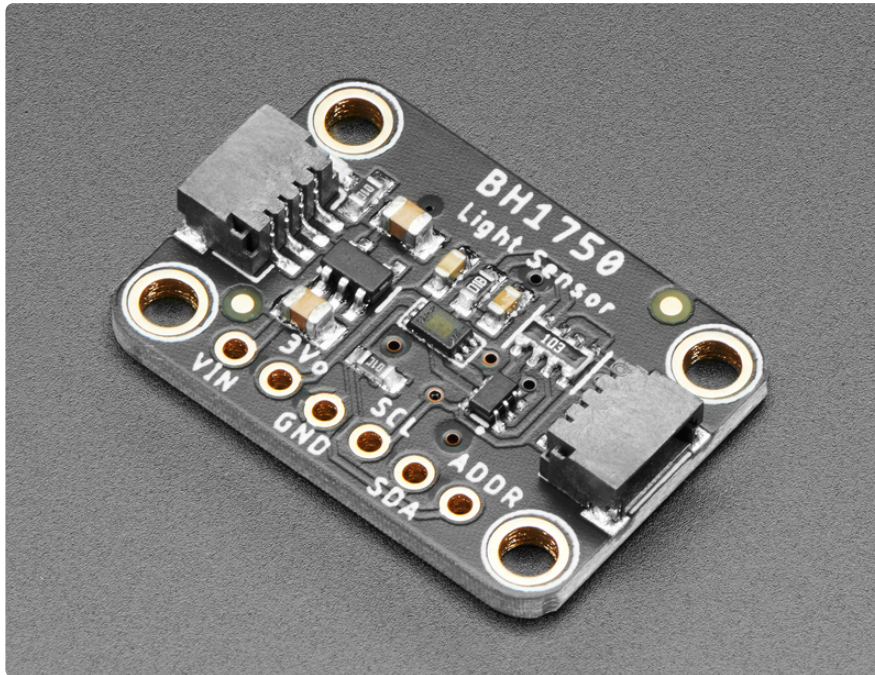
<https://learn.adafruit.com/adafruit-bh1750-ambient-light-sensor>

Last updated on 2023-08-29 04:29:05 PM EDT

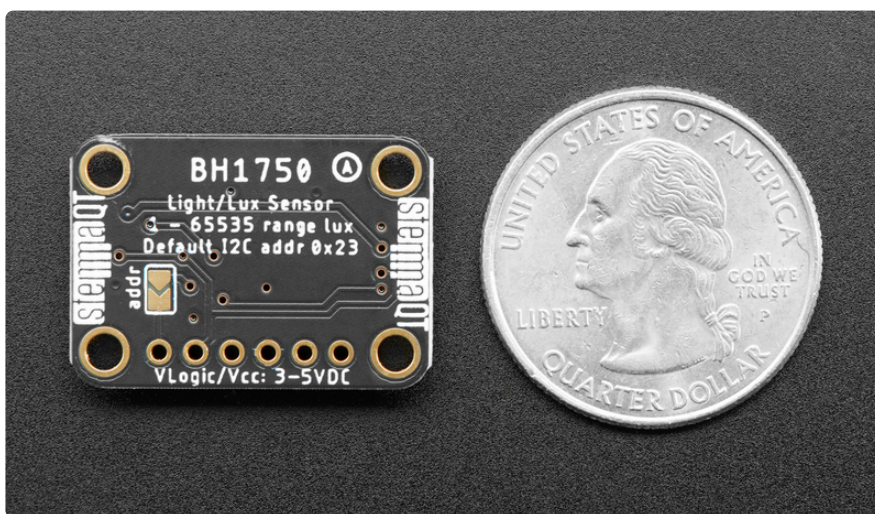
Table of Contents

Overview	3
Pinouts	5
<ul style="list-style-type: none">• Power Pins• I2C Logic Pins	
Arduino	6
<ul style="list-style-type: none">• I2C Wiring• Library Installation• Load Example• Example Code	
Arduino Docs	8
Python & CircuitPython	8
<ul style="list-style-type: none">• CircuitPython Microcontroller Wiring• Python Computer Wiring• CircuitPython Installation of BH1750 Library• Python Installation of BH1750 Library• CircuitPython & Python Usage• Example Code	
Python Docs	12
Downloads	12
<ul style="list-style-type: none">• Files• Schematic• Fab Print	

Overview

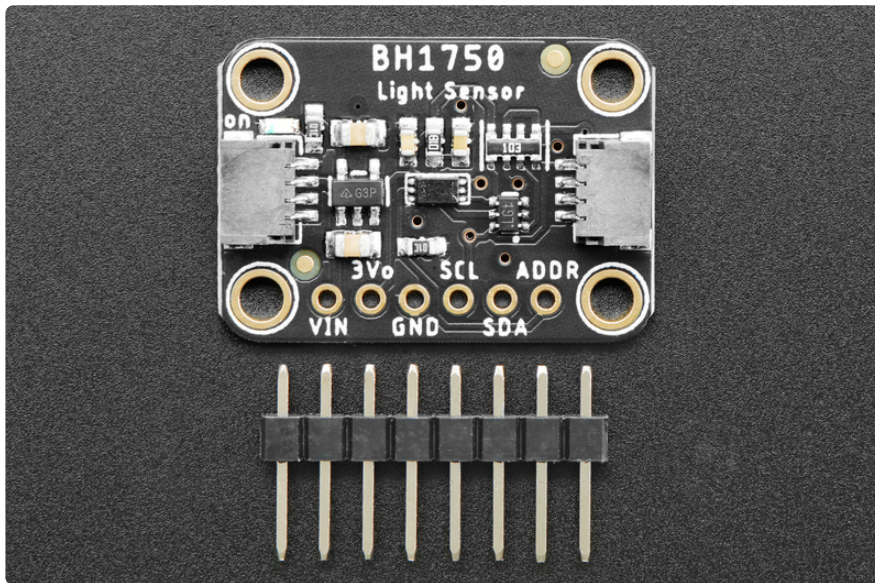


This is the BH1750 16-bit Ambient Light sensor from Rohm. Because of how important it is to humans and most other living things, sensing the amount of light in an environment is a common place to get started when learning to work with microcontrollers and sensors. Should we turn up the brightness of our display or dim it to save power? Which direction should your robot move to stay in an area with the most light? Is it day or night? All of these questions can be answered with the help of the [BH1750](#) (). It's a small, capable and inexpensive light sensor that you can include into your next project to add the detection and measurement of light.

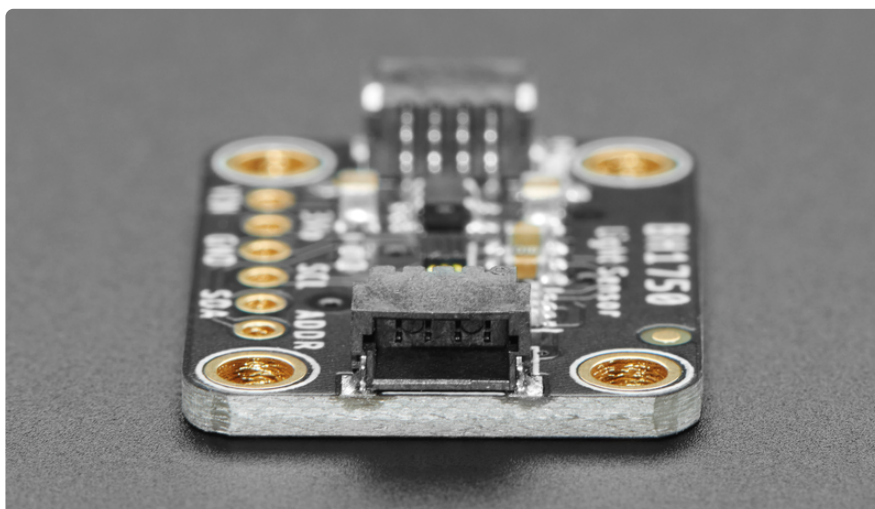


The BH1750 provides 16-bit light measurements in lux, the SI unit for measuring light making it easy to compare against other values like references and measurements from other sensors. Able to measure from 0 to 65K+ lux, the BH1750. With some

calibration and advanced adjustment of the measurement time, it can even be convinced to measure as much as 100,000 lux!



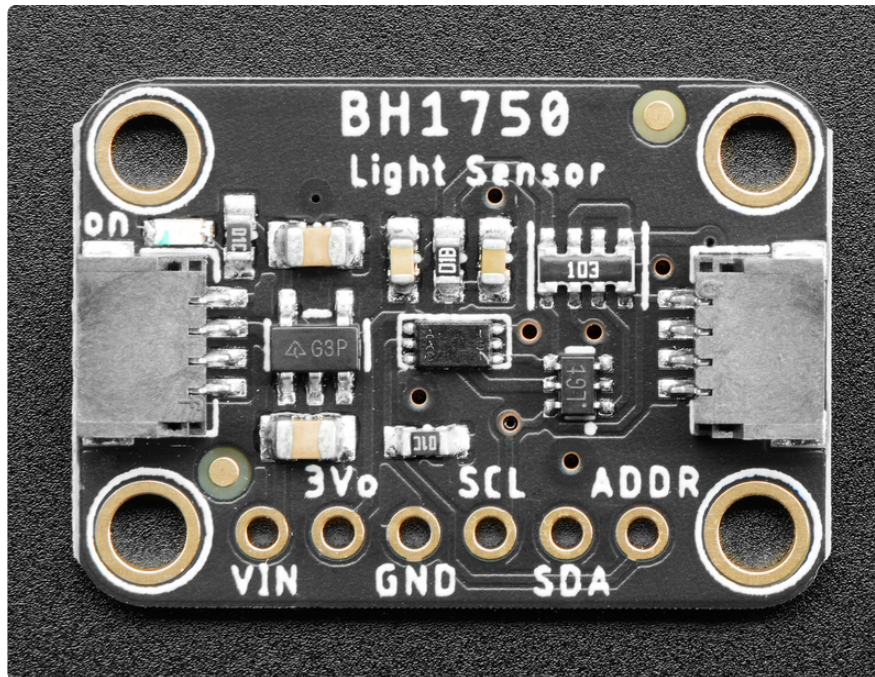
Sensors tend to come in small packages and the BH1750 is no different. Not much bigger than a grain of rice, this handy light sensing friend needs some help to be used by folks experimenting and without the desire or tools to work with surface mount parts. We're here to help! Packaged on a PCB in our Stemma QT form factor, the BH1750 comes integrated with a voltage regulator and level shifting circuitry to allow it to be used with 3.3V devices like a Feather M4 or Raspberry Pi, or 5V devices such as an Arduino. Rather than working with the itty bitty little contacts on the sensor, the PCB it's packaged on breaks out all the pins to a standard 0.1 inch / 2.54mm pitch header.



To make things easier and a bit more flexible, we've also included [SparkFun Qwiic \(\)](#) compatible [STEMMA QT \(\)](#) connectors for the I2C bus so you don't even need to solder! Just plug in a compatible cable and attach it to your MCU of choice and you're ready to load up some software and measure some light. To help with the software

part we've written a library that you can use with CircuitPython compatible devices as well as computers like the Raspberry Pi by installing it using PyPi. You can even use it on a full sized computer by using a [MCP2221 breakout](#). () Arduino users can use the well-crafted [hp_BH1750](#) () library by [Stefan Armbrorst](#) () and our installation instructions and wiring diagrams.

Pinouts



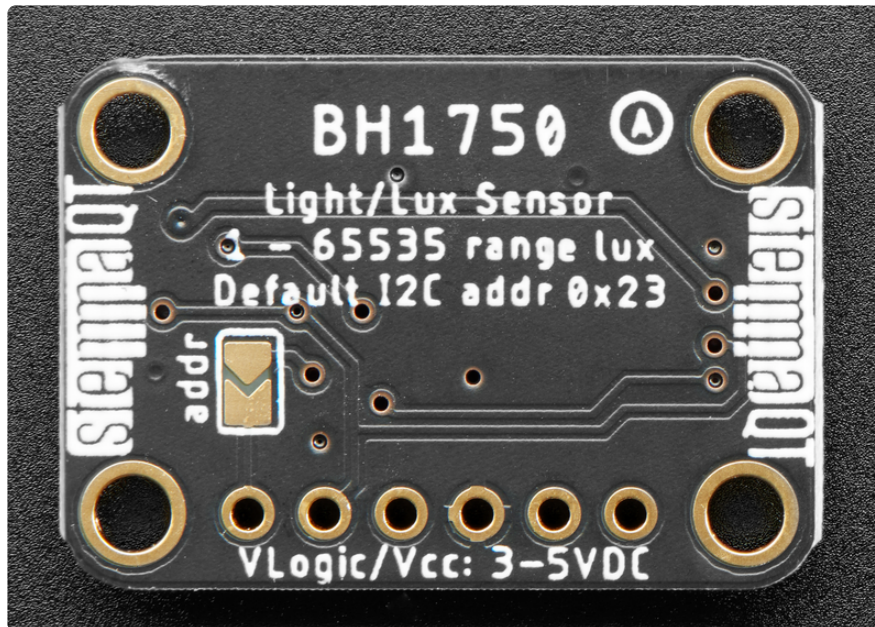
Power Pins

- VIN - this is the power pin. Since the sensor chip uses 3 VDC, we have included a voltage regulator on board that will take 3-5VDC and safely convert it down. To power the board, give it the same power as the logic level of your microcontroller - e.g. for a 5V microcontroller like Arduino, use 5V
- 3Vo - this is the 3.3V output from the voltage regulator, you can grab up to 100mA from this if you like
- GND - common ground for power and logic

I2C Logic Pins

- SCL - I2C clock pin, connect to your microcontroller I2C clock line. This pin is level shifted so you can use 3-5V logic, and there's a 10K pullup on this pin.
- SDA - I2C data pin, connect to your microcontroller I2C data line. This pin is level shifted so you can use 3-5V logic, and there's a 10K pullup on this pin.

- [STEMMA QT \(\)](#) - These connectors allow you to connect to dev boards with STEMMA QT connectors or to other things with [various associated accessories \(\)](#)
- ADDR/AD0 Jumper - I2C Address pin. Pulling this pin high or bridging the solder jumper on the back will change the I2C address from 0x23 to 0x5C



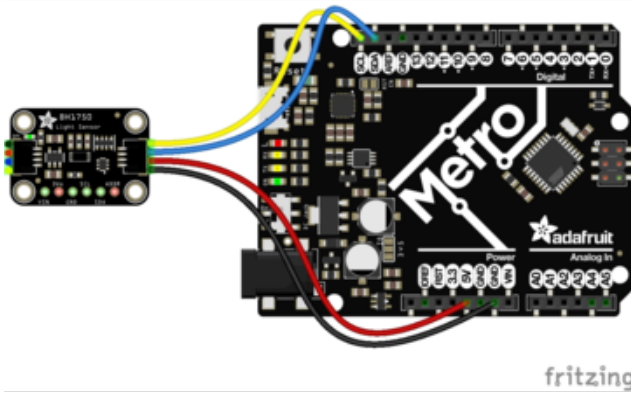
Arduino

Using the BH1750 with Arduino is a simple matter of wiring up the sensor to your Arduino-compatible microcontroller, installing the [hp_BH1750 \(\)](#) library written by [Stefan Armbrorst \(\)](#), and running one of many very well written examples. Usually we write our own library but we were so impressed by Stefan's that we didn't think we could possibly improve on it, so use it!

I2C Wiring

Use this wiring if you want to connect via I2C interface. The I2C address for the BH1750 is 0x23 and can be switched to 0x5C by pulling the address pin high to VCC

Here is how to wire up the sensor using one of the [STEMMA QT \(\)](#) connectors. The examples show a Metro but wiring will work the same for an Arduino or other compatible board.



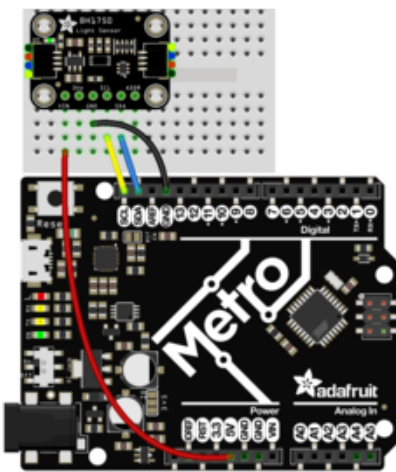
Connect board VIN (red wire) to Arduino 5V if you are running a 5V board Arduino (Uno, etc.). If your board is 3V, connect to that instead.

Connect board GND (black wire) to Arduino GND

Connect board SCL (yellow wire) to Arduino SCL

Connect board SDA (blue wire) to Arduino SDA

Here is how to wire the sensor to a board using a solderless breadboard:



Connect board VIN (red wire) to Arduino 5V if you are running a 5V board Arduino (Uno, etc.). If your board is 3V, connect to that instead.

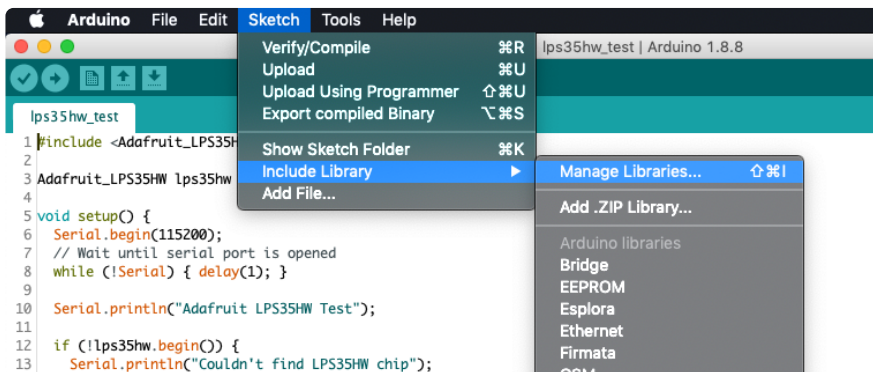
Connect board GND (black wire) to Arduino GND

Connect board SCL (yellow wire) to Arduino SCL

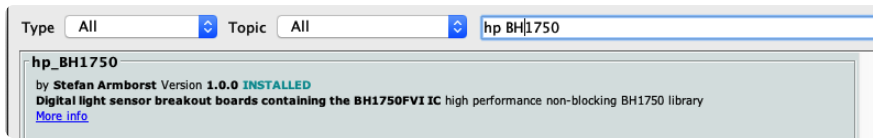
Connect board SDA (blue wire) to Arduino SDA

Library Installation

You can install the [hp_BH1750 \(\)](#) library for Arduino using the Library Manager in the Arduino IDE.



Click the Manage Libraries ... menu item, search for hp BH1750, and select the hp_BH 1750 library:



Load Example

To show the fundamental feature of the sensor, measuring the ambient light in lux, you can use the modestly titled "BareMinimum" example:

Open File -> Examples -> hp_BH1750 -> BareMinimum

After opening the demo file, upload to your Arduino wired up to the sensor. Once you upload the code, you will see the Lux values being printed when you open the Serial Monitor (Tools->Serial Monitor) at 9600 baud, similar these measurements I got from waving a flashlight at the sensor

```
331.67
331.67
332.92
338.75
442.50
1443.33
1790.00
515.42
1530.00
1312.92
1257.50
1280.00
345.42
343.75
344.17
```

Example Code

A [full listing \(\)](#) of the above example can be found in the hp_BH1750 repo's [example directory \(\)](#) along with several other examples that show the many features of the library.

Arduino Docs

[Arduino Docs \(\)](#)

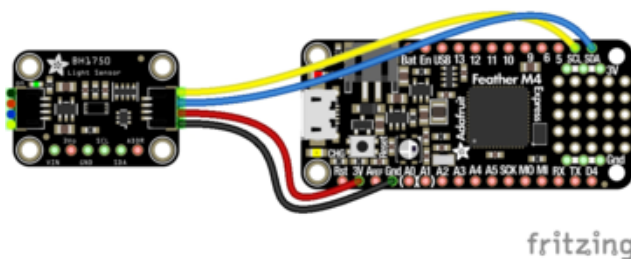
Python & CircuitPython

It's easy to use the BH1750 with Python or CircuitPython, and the [Adafruit CircuitPython BH1750 \(\)](#) module. This module allows you to easily write Python code that reads lux measurements from the BH1750.

You can use this sensor with any CircuitPython microcontroller board or with a computer that has GPIO and Python [thanks to Adafruit_Blinka, our CircuitPython-for-Python compatibility library \(\)](#).

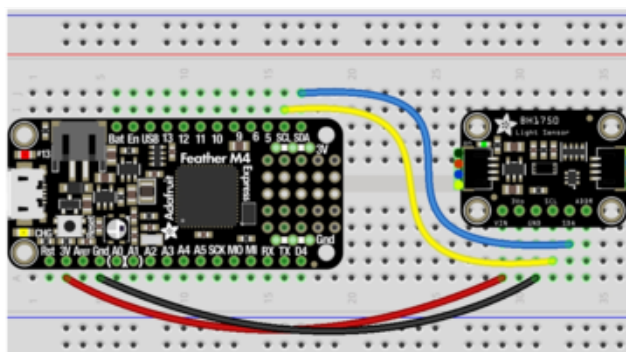
CircuitPython Microcontroller Wiring

First wire up a BH1750 to your board exactly as shown below. Here's an example of wiring a Feather M4 to the sensor with I2C using one of the handy [STEMMA QT \(\)](#) connectors:



- Board 3V to sensor VIN (red wire)
- Board GND to sensor GND (black wire)
- Board SCL to sensor SCL (yellow wire)
- Board SDA to sensor SDA (blue wire)

You can also use the standard 0.100" pitch headers to wire it up on a breadboard:

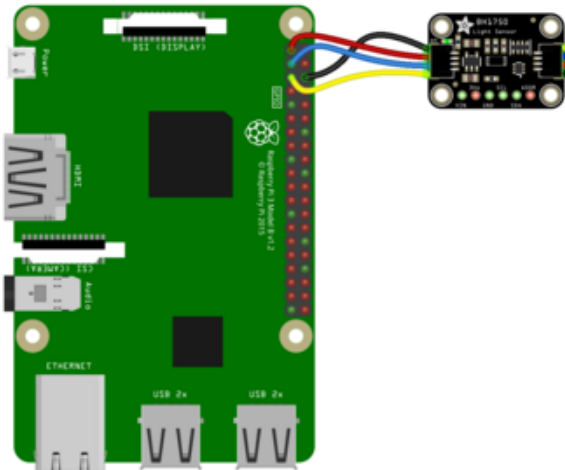


- Board 3V to sensor VIN (red wire)
- Board GND to sensor GND (black wire)
- Board SCL to sensor SCL (yellow wire)
- Board SDA to sensor SDA (blue wire)

Python Computer Wiring

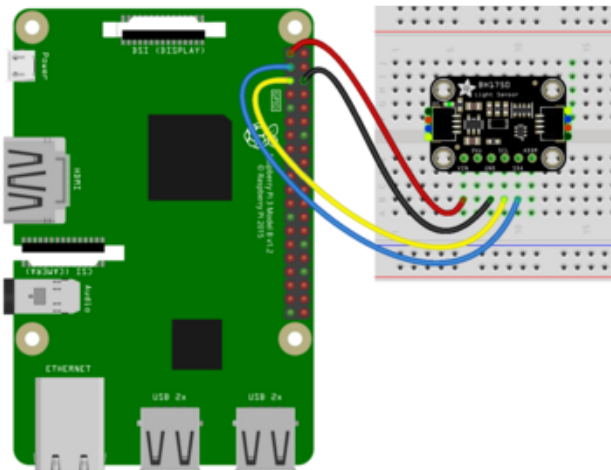
Since there's dozens of Linux computers/boards you can use, we will show wiring for Raspberry Pi. For other platforms, [please visit the guide for CircuitPython on Linux to see whether your platform is supported \(\)](#).

Here's the Raspberry Pi wired to the sensor using I2C and a [STEMMA QT \(\)](#) connector:



- Pi 3V to sensor VCC (red wire)
- Pi GND to sensor GND (black wire)
- Pi SCL to sensor SCL (yellow wire)
- Pi SDA to sensor SDA (blue wire)

Finally here is an example of how to wire up a Raspberry Pi to the sensor using a solderless breadboard



- Pi 3V to sensor VCC (red wire)
- Pi GND to sensor GND (black wire)
- Pi SCL to sensor SCL (yellow wire)
- Pi SDA to sensor SDA (blue wire)

CircuitPython Installation of BH1750 Library

You'll need to install the [Adafruit CircuitPython BH1750 \(\)](#) library on your CircuitPython board.

First make sure you are running the [latest version of Adafruit CircuitPython \(\)](#) for your board.

Next you'll need to install the necessary libraries to use the hardware--carefully follow the steps to find and install these libraries from [Adafruit's CircuitPython library bundle \(\)](#). Our CircuitPython starter guide has [a great page on how to install the library bundle \(\)](#).

Before continuing make sure your board's lib folder or root filesystem has the adafruit_bh1750.mpy file and adafruit_bus_device folder copied over.

Next [connect to the board's serial REPL \(\)](#) so you are at the CircuitPython >>> prompt.

Python Installation of BH1750 Library

You'll need to install the Adafruit_Blinka library that provides the CircuitPython support in Python. This may also require enabling I2C on your platform and verifying you are running Python 3. [Since each platform is a little different, and Linux changes often, please visit the CircuitPython on Linux guide to get your computer ready \(\)!](#)

Once that's done, from your command line run the following command:

- sudo pip3 install adafruit-circuitpython-bh1750

If your default Python is version 3 you may need to run 'pip' instead. Just make sure you aren't trying to use CircuitPython on Python 2.x, it isn't supported!

CircuitPython & Python Usage

To demonstrate the usage of the sensor we'll initialize it and read the temperature and humidity measurements from the board's Python REPL.

Run the following code to import the necessary modules and initialize the I2C connection with the sensor:

```
>>> import board
>>> import adafruit_bh1750
>>> i2c = board.I2C()
>>> sensor = adafruit_bh1750.BH1750(i2c)
```

Now you're ready to read values from the sensor using the lux property to return the ambient light level in lux, the [SI derived unit \(\)](#) for [measuring illuminance \(\)](#)

```
>>> print("%.2f Lux" % sensor.lux)
333.33 Lux
```

Example Code

```
# SPDX-FileCopyrightText: 2020 Bryan Siepert, written for Adafruit Industries
# SPDX-License-Identifier: Unlicense
import time
import board
import adafruit_bh1750

i2c = board.I2C() # uses board.SCL and board.SDA
# i2c = board.STEMMA_I2C() # For using the built-in STEMMMA QT connector on a
microcontroller
sensor = adafruit_bh1750.BH1750(i2c)

while True:
    print("%.2f Lux" % sensor.lux)
    time.sleep(1)
```

Python Docs

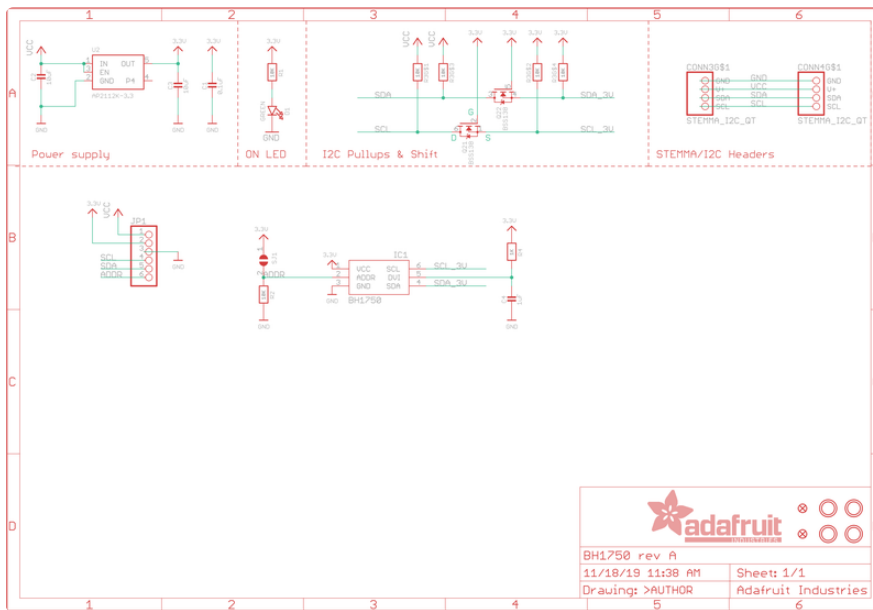
[Python Docs \(\)](#)

Downloads

Files

- [BH1750 Datasheet \(\)](#)
- [EagleCAD files on GitHub \(\)](#)
- [Fritzing object in the Adafruit Fritzing Library \(\)](#)

Schematic



Fab Print

