

DO NOT SCALE FROM THIS PRINT

DESIGNED & DIMENSIONED IN MILLIMETERS [INCHES]

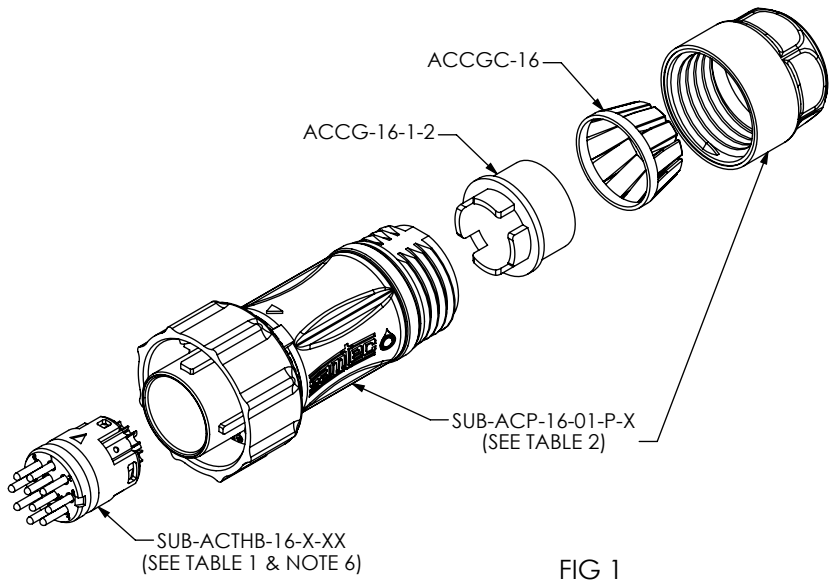


FIG 1
ACPC-16-02-X-T-P-1 SHOWN

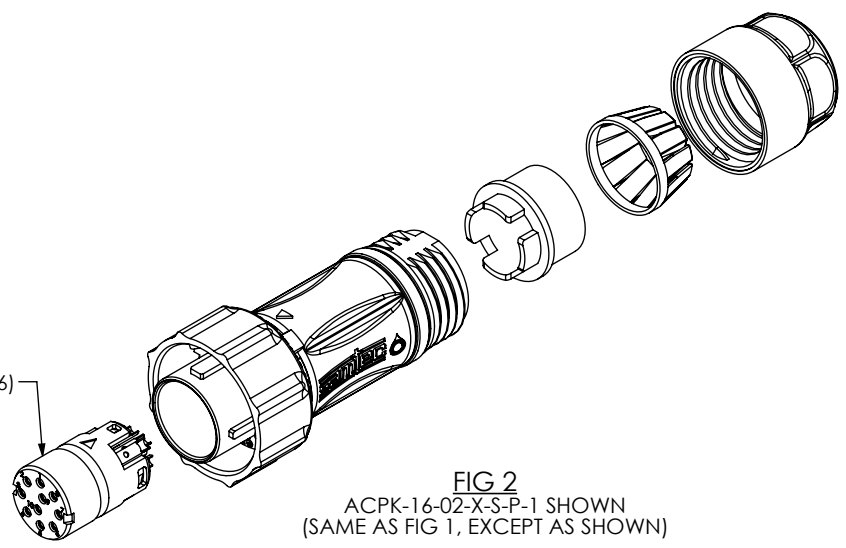


FIG 2
ACPC-16-02-X-S-P-1 SHOWN
(SAME AS FIG 1, EXCEPT AS SHOWN)

NOTES:

1. KIT COMPONENTS TO BE PACKAGED IN BAGS PER PACKAGING STANDARD CO-RF-WI-3001-M.
2. KEY FEATURE DETERMINES COLOR OF KEY RING AND DUSTCAP LANYARD IF APPLICABLE.
3. REFER TO DCA-ACP-16-P-X PRINT FOR DUST CAP.
4. TORQUE SPECIFICATION FOR CABLE NUT: 1.1Nm [10.00 IN-LB] - 1.7Nm [15.00 IN-LB].
5. CABLE DIAMETER SPECIFICATION: 5.08 [200] - 8.67 [341].
6. RECOMMENDED INSERTION TOOL: CAT-AC-16-M.
7. NOTE DELETED.

ACPC-16-XX-X-X-P-X

PLUG KIT
SIZE

KEY FEATURE
(SEE NOTE 2, SEE SHT. 4)
-1: ORANGE
-2: GREEN
-3: BLUE
-4: YELLOW

- LEAD STYLE
- 01: 14 POS (0.5 TERM/SKT), 26 - 30 AWG
 - 02: 10 POS (1.0 TERM/SKT), 20 - 24 AWG
 - 03: 4 POS PWR (1.5 TERM/SKT), 14 - 18 AWG
 - * -04: 4 POS COMBO (2 X COAX PLUG/JACK), CCA-316 (2 X 1.0 TERM/SKT), 20 - 24 AWG
 - * -05: 4 POS COMBO (3 X 1.5 TERM/SKT), 14 - 18 AWG (1 X COAX PLUG/JACK), CCA-316
 - 06: 10 POS COMBO (2 X 1.5 TERM/SKT), 14 - 18 AWG (8 X 0.5 TERM/SKT), 26 - 30 AWG
 - * -07: 7 POS COMBO (1 X COAX PLUG/JACK), CCA-316 (6 X 1.0 TERM/SKT), 20 - 24 AWG

STYLE
-P: PLASTIC

GENDER
-T: TERMINAL
-S: SOCKET

PLATING
-G: 10µ" GOLD ON CONTACT
-H: 30µ" GOLD ON CONTACT

* = NOT RELEASED FOR PRODUCTION

KEY FEATURE	SUB-ACP-16-XX-P-X
-1	SUB-ACP-16-01-P-1
-2	SUB-ACP-16-01-P-2
-3	SUB-ACP-16-01-P-3
-4	SUB-ACP-16-01-P-4

LEAD STYLES	GENDER	SUB-ASSEMBLY/HOLDER BODY PART #		RF PLUG/JACK PART #	
		PLATING		AC-X-C-H-ST-CA1	QTY
		-G	-H		
-01	-T	SUB-ACSHB-16-G-01	SUB-ACSHB-16-H-01	NA	
-02	-T	SUB-ACSHB-16-G-02	SUB-ACSHB-16-H-02	NA	
-03	-T	SUB-ACSHB-16-G-03	SUB-ACSHB-16-H-03	NA	
* -04	-T	SUB-ACSHB-16-G-04	SUB-ACSHB-16-H-04	AC-P-C-H-ST-CA1	2
* -05	-T	SUB-ACSHB-16-G-05	SUB-ACSHB-16-H-05	AC-P-C-H-ST-CA1	1
-06	-T	SUB-ACSHB-16-G-06	SUB-ACSHB-16-H-06	NA	
* -07	-T	SUB-ACSHB-16-G-07	SUB-ACSHB-16-H-07	AC-P-C-H-ST-CA1	1
-01	-S	SUB-ACSHB-16-G-01	SUB-ACSHB-16-H-01	NA	
-02	-S	SUB-ACSHB-16-G-02	SUB-ACSHB-16-H-02	NA	
-03	-S	SUB-ACSHB-16-G-03	SUB-ACSHB-16-H-03	NA	
* -04	-S	SUB-ACSHB-16-G-04	SUB-ACSHB-16-H-04	AC-J-C-H-ST-CA1	2
* -05	-S	SUB-ACSHB-16-G-05	SUB-ACSHB-16-H-05	AC-J-C-H-ST-CA1	1
-06	-S	SUB-ACSHB-16-G-06	SUB-ACSHB-16-H-06	NA	
* -07	-S	SUB-ACSHB-16-G-07	SUB-ACSHB-16-H-07	AC-J-C-H-ST-CA1	1

UNLESS OTHERWISE SPECIFIED, DIMENSIONS ARE IN MILLIMETERS. TOLERANCES ARE:

DECIMALS	ANGLES
X.X: ±0.3 [01]	2°
X.XX: ±0.13 [005]	
X.XXX: ±0.051 [0020]	

PROPRIETARY NOTE
THIS DOCUMENT CONTAINS CONFIDENTIAL AND PROPRIETARY INFORMATION AND ALL DESIGN, MANUFACTURING, REPRODUCTION, USE, PATENT RIGHTS AND SALES RIGHTS ARE EXPRESSLY RESERVED BY SAMTEC, INC. THIS DOCUMENT SHALL NOT BE DISCLOSED, IN WHOLE OR PART, TO ANY UNAUTHORIZED PERSON OR ENTITY NOR REPRODUCED, TRANSFERRED OR INCORPORATED IN ANY OTHER PROJECT IN ANY MANNER WITHOUT THE EXPRESS WRITTEN CONSENT OF SAMTEC, INC.

520 PARK EAST BLVD, NEW ALBANY, IN 47150
PHONE: 812-944-6733 FAX: 812-948-5047
e-Mail: info@SAMTEC.com code 53322

MATERIAL: DO NOT SCALE DRAWING SHEET SCALE: 1:1
SHELLS/LOCKING SLEEVE/NUT: NYLON, COLOR: BLACK
HOLDER BODY: PBT, COLOR: BLACK
TERMINALS: BRASS
CONTACTS: BRASS/BeCu
COLOR RING: SILICONE
GROMMET CAGE: NYLON, COLOR: BLACK
GROMMET: NITRILE

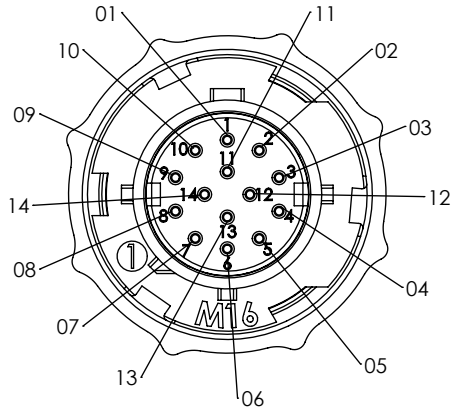
DESCRIPTION:
ACCLIMATE CIRC. FIELD TERM. KIT

DWG. NO.
ACPC-16-XX-X-X-P-X

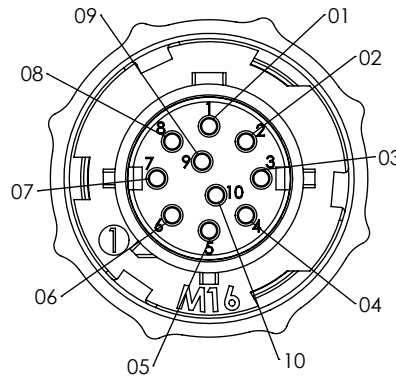
BY: J. BORGELT 3/5/2011 SHEET 1 OF 4

T- END OPTIONS

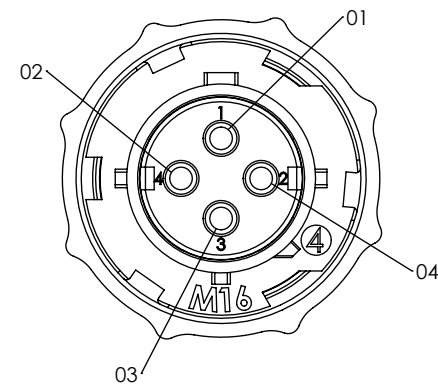
-01: 14 POS
Ø0.5 TERMINALS



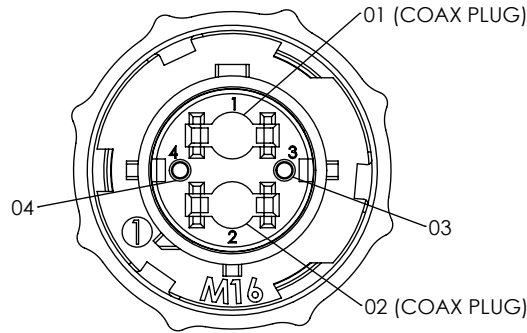
-02: 10 POS
Ø1.0 TERMINALS



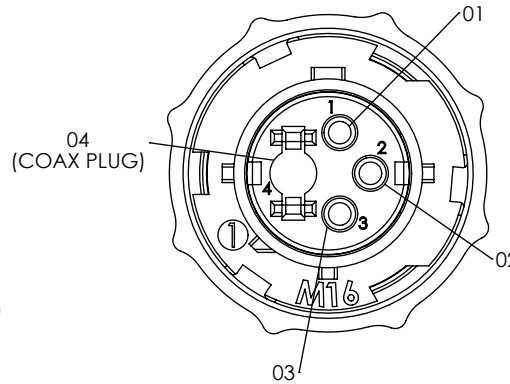
-03: 4 POS
Ø1.5 TERMINALS



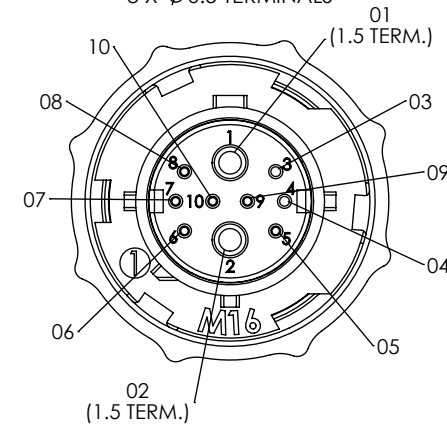
***-04: 4 POS COMBO**
2 X COAX PLUG
2 X Ø1.0 TERMINALS



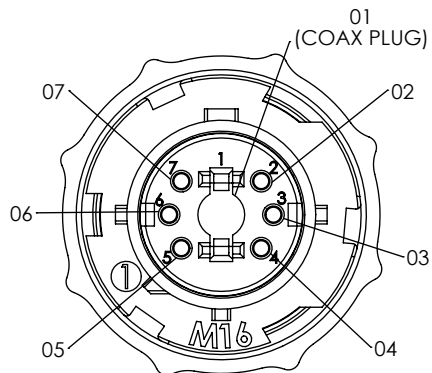
*** -05: 4 POS COMBO**
3 X Ø1.5 TERMINALS
1 X COAX PLUG



-06: 10 POS COMBO
2 X Ø1.5 TERMINALS
8 X Ø0.5 TERMINALS



***-07: 7 POS COMBO**
1 X COAX PLUG
6 X Ø1.0 TERMINALS



*** = NOT RELEASED FOR PRODUCTION**

PROPRIETARY NOTE
THIS DOCUMENT CONTAINS CONFIDENTIAL AND PROPRIETARY INFORMATION AND ALL DESIGN, MANUFACTURING, REPRODUCTION, USE, PATENT RIGHTS AND SALES RIGHTS ARE EXPRESSLY RESERVED BY SAMTEC, INC. THIS DOCUMENT SHALL NOT BE DISCLOSED, IN WHOLE OR PART, TO ANY UNAUTHORIZED PERSON OR ENTITY NOR REPRODUCED, TRANSFERRED OR INCORPORATED IN ANY OTHER PROJECT IN ANY MANNER WITHOUT THE EXPRESS WRITTEN CONSENT OF SAMTEC, INC.

DO NOT SCALE DRAWING

SHEET SCALE: 2:1

samtec

520 PARK EAST BLVD, NEW ALBANY, IN 47150
PHONE: 812-944-6733 FAX: 812-948-5047
e-Mail: info@SAMTEC.com code 55322

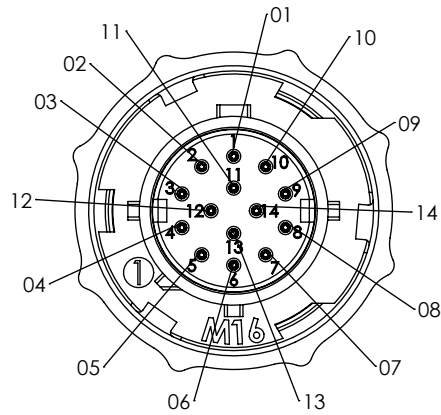
DESCRIPTION: ACCLIMATE CIRC. FIELD TERM. KIT

DWG. NO. ACPK-16-XX-X-X-P-X

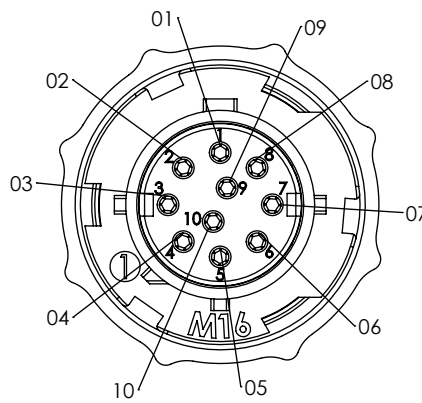
BY: J. BORGELT 3/5/2011 SHEET 2 OF 4

-S END OPTIONS

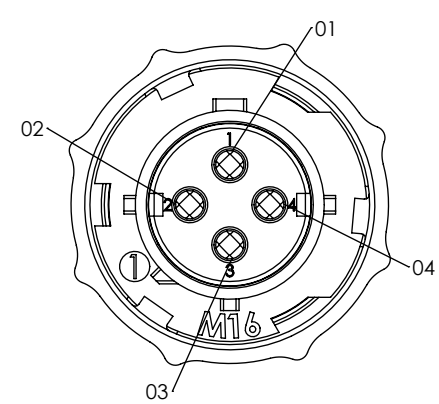
-01: 14 POS
Ø0.5 SOCKETS



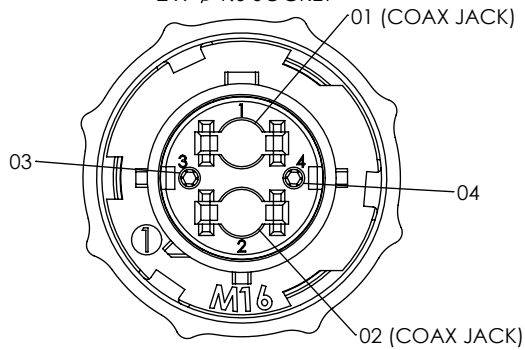
-02: 10 POS
Ø1.0 SOCKETS



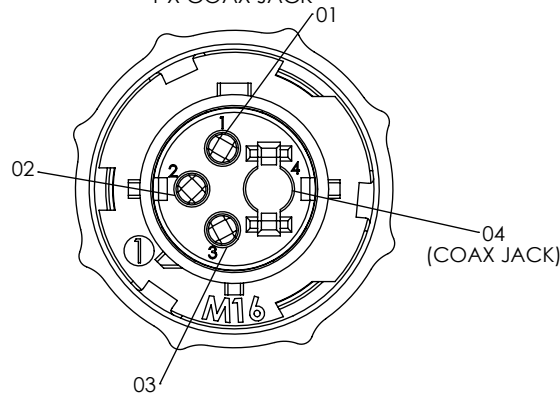
-03: 4 POS
Ø1.5 SOCKETS



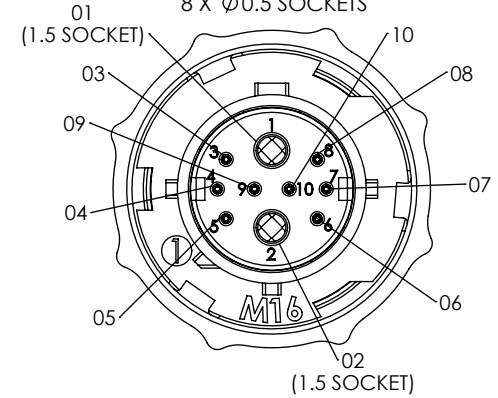
* -04: 4 POS COMBO
2 X COAX JACK
2 X Ø1.0 SOCKET



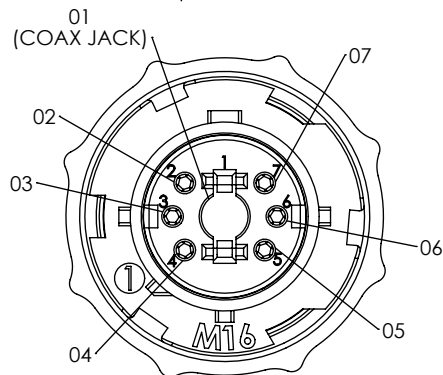
* -05: 4 POS COMBO
3 X Ø1.5 SOCKETS
1 X COAX JACK



-06: 10 POS COMBO
2 X Ø1.5 SOCKETS
8 X Ø0.5 SOCKETS



* -07: 7 POS COMBO
1 X COAX JACK
6 X Ø1.0 SOCKETS



*** = NOT RELEASED FOR PRODUCTION**

PROPRIETARY NOTE
THIS DOCUMENT CONTAINS CONFIDENTIAL AND PROPRIETARY INFORMATION AND ALL DESIGN, MANUFACTURING, REPRODUCTION, USE, PATENT RIGHTS AND SALES RIGHTS ARE EXPRESSLY RESERVED BY SAMTEC, INC. THIS DOCUMENT SHALL NOT BE DISCLOSED, IN WHOLE OR PART, TO ANY UNAUTHORIZED PERSON OR ENTITY NOR REPRODUCED, TRANSFERRED OR INCORPORATED IN ANY OTHER PROJECT IN ANY MANNER WITHOUT THE EXPRESS WRITTEN CONSENT OF SAMTEC, INC.

DO NOT SCALE DRAWING

SHEET SCALE: 2:1

samtec

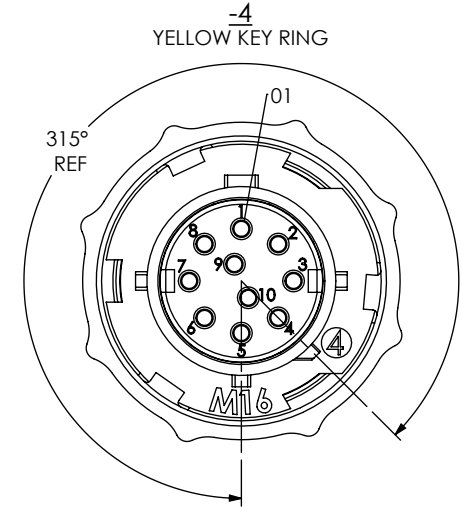
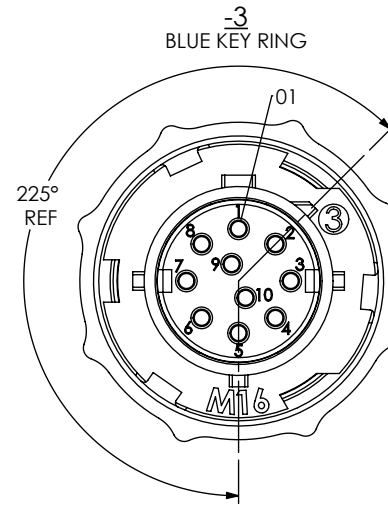
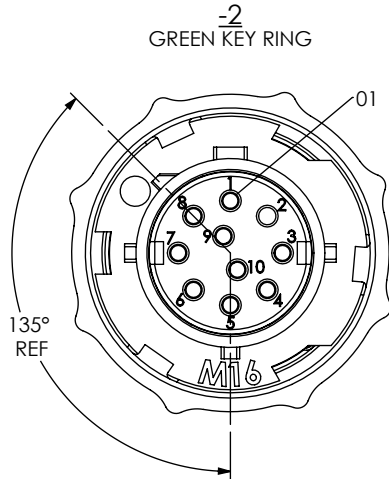
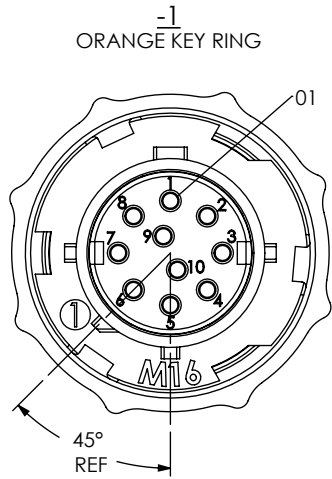
520 PARK EAST BLVD, NEW ALBANY, IN 47150
PHONE: 812-944-6733 FAX: 812-948-5047
e-Mail info@SAMTEC.com code 55322

DESCRIPTION: ACCLIMATE CIRC. FIELD TERM. KIT

DWG. NO. ACPK-16-XX-X-X-P-X

BY: J. BORGELT 3/5/2011 SHEET 3 OF 4

KEY FEATURE
(SEE NOTE 2)



PROPRIETARY NOTE
THIS DOCUMENT CONTAINS CONFIDENTIAL AND PROPRIETARY INFORMATION AND ALL DESIGN, MANUFACTURING, REPRODUCTION, USE, PATENT RIGHTS AND SALES RIGHTS ARE EXPRESSLY RESERVED BY SAMTEC, INC. THIS DOCUMENT SHALL NOT BE DISCLOSED, IN WHOLE OR PART, TO ANY UNAUTHORIZED PERSON OR ENTITY NOR REPRODUCED, TRANSFERRED OR INCORPORATED IN ANY OTHER PROJECT IN ANY MANNER WITHOUT THE EXPRESS WRITTEN CONSENT OF SAMTEC, INC.

DO NOT SCALE DRAWING

SHEET SCALE: 2:1



520 PARK EAST BLVD, NEW ALBANY, IN 47150
PHONE: 812-944-6733 FAX: 812-948-5047
e-Mail info@SAMTEC.com code 55322

DESCRIPTION:
ACCLIMATE CIRC. FIELD TERM. KIT

DWG. NO.
ACPK-16-XX-X-X-P-X

BY: J. BORGELT 3/5/2011 SHEET 4 OF 4