

DO NOT SCALE FROM THIS PRINT

DESIGNED & DIMENSIONED IN MILLIMETERS[INCHES]

ACPK-16-XX-X-X-M-X

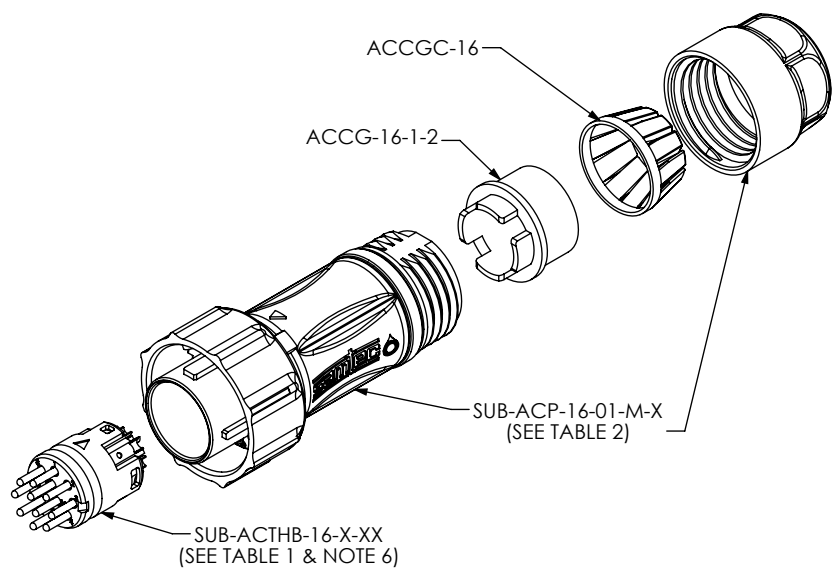


FIG 1
ACPK-16-02-X-T-M-1 SHOWN

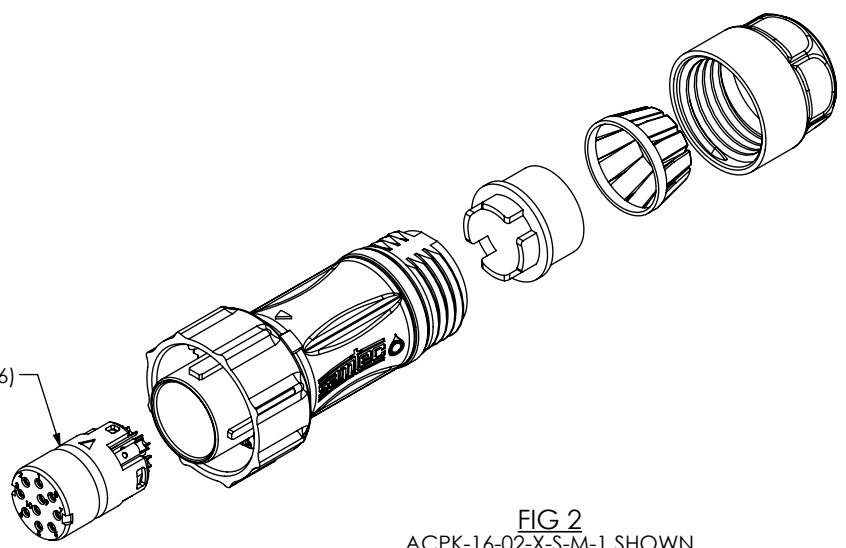


FIG 2
ACPK-16-02-X-S-M-1 SHOWN
(SAME AS FIG 1, EXCEPT AS SHOWN)

NOTES:

1. KIT COMPONENTS TO BE PACKAGED IN BAGS PER PACKAGING STANDARD CO-RF-WI-3001-M.
2. KEY FEATURE DETERMINES COLOR OF KEY RING AND DUST CAP LANYARD IF APPLICABLE.
3. REFER TO DCA-ACP-16-M-X PRINT FOR DUST CAP.
4. TORQUE SPECIFICATION FOR CABLE NUT: 1.1Nm[10.00 IN-LB] - 1.7Nm[15.00 IN-LB].
5. CABLE DIAMETER SPECIFICATION: 5.08[.200] - 8.67[.341].
6. RECOMMENDED INSERTION TOOL: CAT-AC-16-M.
7. NOTE DELETED.

PLUG KIT
SIZE

KEY FEATURE
(SEE NOTE 2, SEE SHT. 4)
-1: ORANGE
-2: GREEN
-3: BLUE
-4: YELLOW

- LEAD STYLE**
- 01: 14 POS (0.5 TERM/SKT), 26 - 30 AWG
 - 02: 10 POS (1.0 TERM/SKT), 20 - 24 AWG
 - 03: 4 POS PWR (1.5 TERM/SKT), 14 - 18 AWG
 - *-04: 4 POS COMBO (2 X COAX PLUG/JACK), CCA-316 (2 X 1.0 TERM/SKT), 20 - 24 AWG
 - *-05: 4 POS COMBO (3 X 1.5 TERM/SKT), 14 - 18 AWG (1 X COAX PLUG/JACK), CCA-316
 - 06: 10 POS COMBO (2 X 1.5 TERM/SKT), 14 - 18 AWG (8 X 0.5 TERM/SKT), 26 - 30 AWG
 - *-07: 7 POS COMBO (1 X COAX PLUG/JACK), CCA-316 (6 X 1.0 TERM/SKT), 20 - 24 AWG

STYLE
-M: METAL

GENDER
-T: TERMINAL
-S: SOCKET

PLATING
-G: 10µ" GOLD ON CONTACT
-H: 30µ" GOLD ON CONTACT

*** = NOT RELEASED FOR PRODUCTION**

TABLE 2	
KEY FEATURE	SUB-ACP-16-XX-M-X
-1	SUB-ACP-16-01-M-1
-2	SUB-ACP-16-01-M-2
-3	SUB-ACP-16-01-M-3
-4	SUB-ACP-16-01-M-4

TABLE 1					
LEAD STYLES	GENDER	SUB-ASSEMBLY/HOLDER BODY PART #		COAX PLUG/JACK PART #	
		PLATING		AC-X-C-H-ST-CA1	QTY
		-G	-H		
-01	-T	SUB-ACTHB-16-G-01	SUB-ACTHB-16-H-01	NA	
-02	-T	SUB-ACTHB-16-G-02	SUB-ACTHB-16-H-02	NA	
-03	-T	SUB-ACTHB-16-G-03	SUB-ACTHB-16-H-03	NA	
*-04	-T	SUB-ACTHB-16-G-04	SUB-ACTHB-16-H-04	AC-P-C-H-ST-CA1	2
*-05	-T	SUB-ACTHB-16-G-05	SUB-ACTHB-16-H-05	AC-P-C-H-ST-CA1	1
-06	-T	SUB-ACTHB-16-G-06	SUB-ACTHB-16-H-06	NA	
*-07	-T	SUB-ACTHB-16-G-07	SUB-ACTHB-16-H-07	AC-P-C-H-ST-CA1	1
-01	-S	SUB-ACSHB-16-G-01	SUB-ACSHB-16-H-01	NA	
-02	-S	SUB-ACSHB-16-G-02	SUB-ACSHB-16-H-02	NA	
-03	-S	SUB-ACSHB-16-G-03	SUB-ACSHB-16-H-03	NA	
*-04	-S	SUB-ACSHB-16-G-04	SUB-ACSHB-16-H-04	AC-J-C-H-ST-CA1	2
*-05	-S	SUB-ACSHB-16-G-05	SUB-ACSHB-16-H-05	AC-J-C-H-ST-CA1	1
-06	-S	SUB-ACSHB-16-G-06	SUB-ACSHB-16-H-06	NA	
*-07	-S	SUB-ACSHB-16-G-07	SUB-ACSHB-16-H-07	AC-J-C-H-ST-CA1	1

UNLESS OTHERWISE SPECIFIED, DIMENSIONS ARE IN MILLIMETERS.
TOLERANCES ARE:
DECIMALS ANGLES
X.X: ±0.3 [.01]
X.XX: ±0.13 [.005]
X.XXX: ±0.051 [.0020]

PROPRIETARY NOTE
THIS DOCUMENT CONTAINS CONFIDENTIAL AND PROPRIETARY INFORMATION AND ALL DESIGN, MANUFACTURING, REPRODUCTION, USE, PATENT RIGHTS AND SALES RIGHTS ARE EXPRESSLY RESERVED BY SAMTEC, INC. THIS DOCUMENT SHALL NOT BE DISCLOSED, IN WHOLE OR PART, TO ANY UNAUTHORIZED PERSON OR ENTITY NOR REPRODUCED, TRANSFERRED OR INCORPORATED IN ANY OTHER PROJECT IN ANY MANNER WITHOUT THE EXPRESS WRITTEN CONSENT OF SAMTEC, INC.

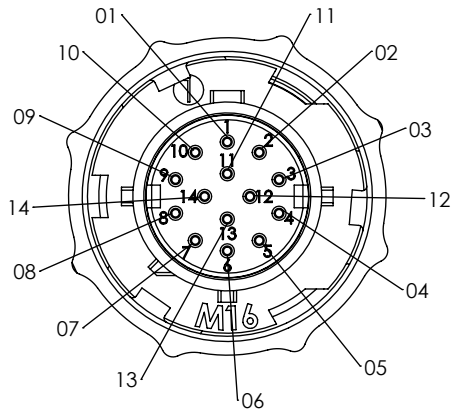
samtec
520 PARK EAST BLVD, NEW ALBANY, IN 47150
PHONE: 812-944-6733 FAX: 812-948-5047
e-Mail: info@SAMTEC.com code 53322

MATERIAL: DO NOT SCALE DRAWING SHEET SCALE: 1:1
CABLE SUB-ASM SHELLS/LOCKING SLEEVE/NUT: ZAMAK 3
HOLDER BODY: PBT, COLOR: BLACK
RETAINING RING: CARBON STEEL
COLOR RING: SILICONE
GROMMET CAGE: NYLON, COLOR: BLACK
TERMINALS: BRASS
CONTACTS: BRASS/BeCu
GROMMET: NITRILE

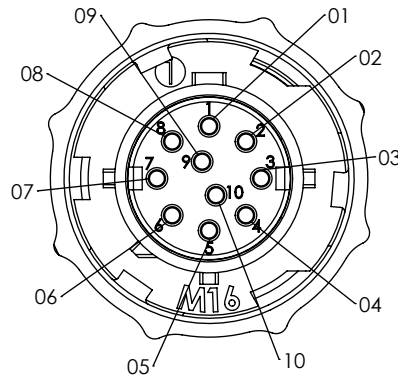
DESCRIPTION:	ACCLIMATE CIRC. FIELD TERM. KIT
DWG. NO.	ACPK-16-XX-X-X-M-X
BY: T NEWTON 5/11/2011	SHEET 1 OF 4

-T END OPTIONS

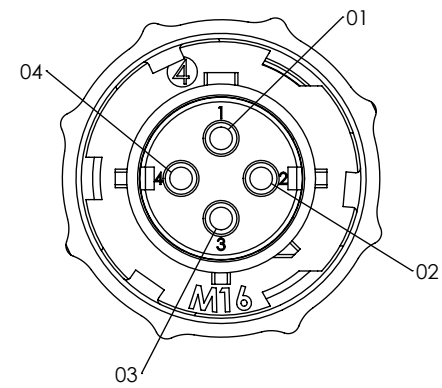
-01: 14 POS
Ø0.5 TERMINALS



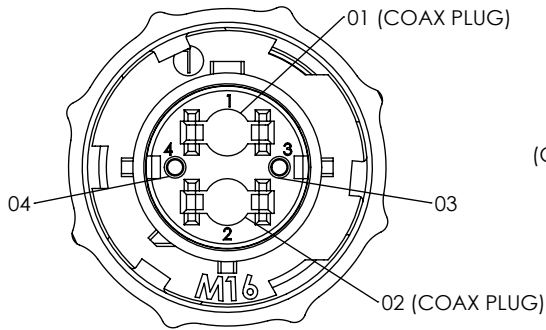
-02: 10 POS
Ø1.0 TERMINALS



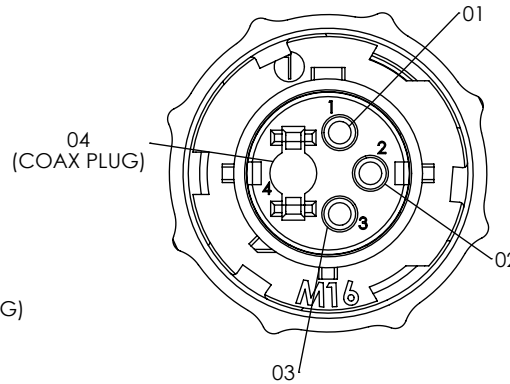
-03: 4 POS
Ø1.5 TERMINALS



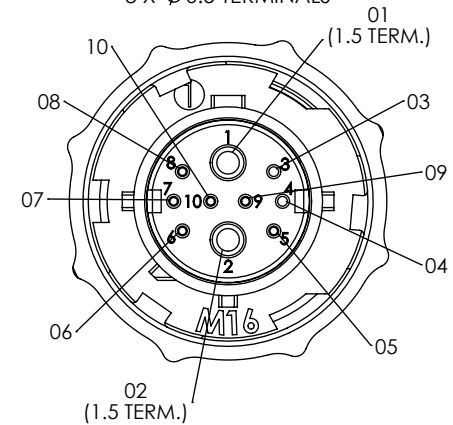
***-04: 4 POS COMBO**
2 X COAX PLUGS
2 X Ø1.0 TERMINAL



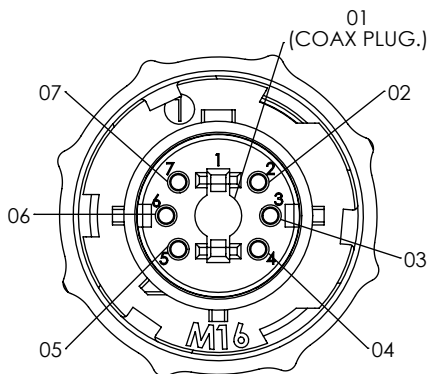
***-05: 4 POS COMBO**
3 X Ø1.5 TERMINALS
1 X COAX PLUG



-06: 10 POS COMBO
2 X Ø1.5 TERMINALS
8 X Ø0.5 TERMINALS



***-07: 7 POS COMBO**
1 X COAX PLUG
6 X Ø1.0 TERMINALS



*** = NOT RELEASED FOR PRODUCTION**

PROPRIETARY NOTE
THIS DOCUMENT CONTAINS CONFIDENTIAL AND PROPRIETARY INFORMATION AND ALL DESIGN, MANUFACTURING, REPRODUCTION, USE, PATENT RIGHTS AND SALES RIGHTS ARE EXPRESSLY RESERVED BY SAMTEC, INC. THIS DOCUMENT SHALL NOT BE DISCLOSED, IN WHOLE OR PART, TO ANY UNAUTHORIZED PERSON OR ENTITY NOR REPRODUCED, TRANSFERRED OR INCORPORATED IN ANY OTHER PROJECT IN ANY MANNER WITHOUT THE EXPRESS WRITTEN CONSENT OF SAMTEC, INC.

DO NOT SCALE DRAWING

SHEET SCALE: 1.5:1

samtec

520 PARK EAST BLVD, NEW ALBANY, IN 47150
PHONE: 812-944-6733 FAX: 812-948-5047
e-Mail: info@SAMTEC.com code 55322

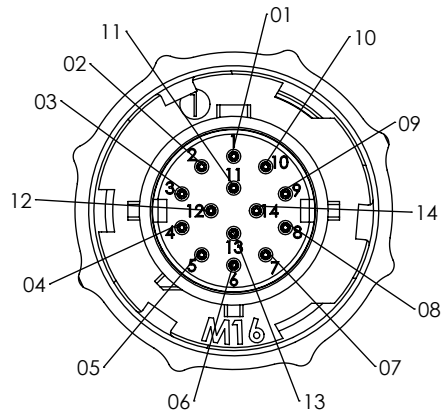
DESCRIPTION: ACCLIMATE CIRC. FIELD TERM. KIT

DWG. NO. ACPK-16-XX-X-X-M-X

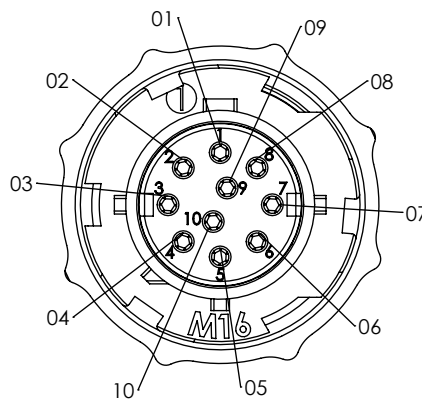
BY: T NEWTON 5/11/2011 SHEET 2 OF 4

-S END OPTIONS

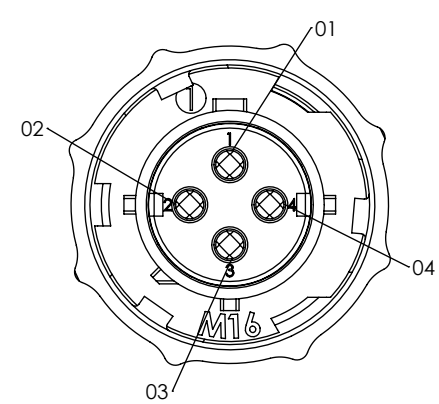
-01: 14 POS
Ø0.5 SOCKETS



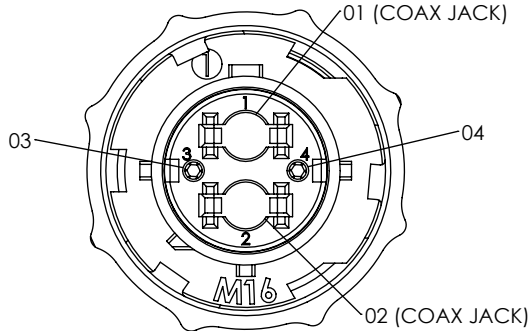
-02: 10 POS
Ø1.0 SOCKETS



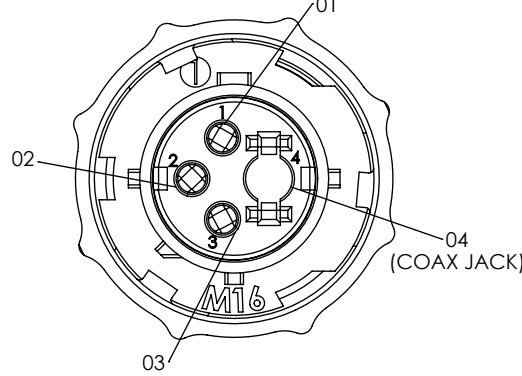
-03: 4 POS
Ø1.5 SOCKETS



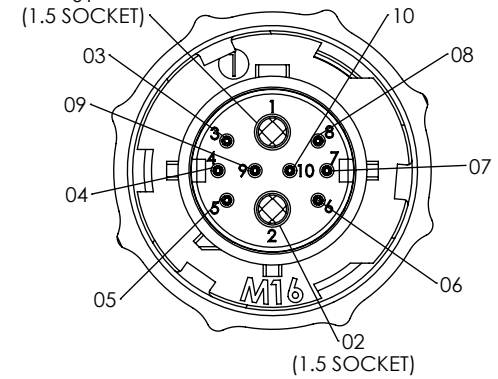
*-04: 4 POS COMBO
2 X COAX JACK
2 X Ø1.0 SOCKETS



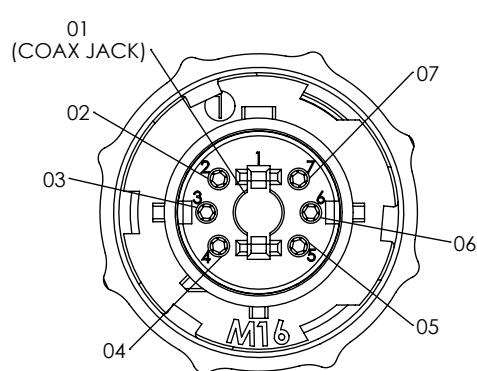
*-05: 4 POS COMBO
3 X Ø1.5 SOCKETS
1 X COAX JACK



-06: 10 POS COMBO
2 X Ø1.5 SOCKETS
8 X Ø0.5 SOCKETS



*-07: 7 POS COMBO
1 X COAX JACK
6 X Ø1.0 SOCKETS



*** = NOT RELEASED FOR PRODUCTION**

PROPRIETARY NOTE
THIS DOCUMENT CONTAINS CONFIDENTIAL AND PROPRIETARY INFORMATION AND ALL DESIGN, MANUFACTURING, REPRODUCTION, USE, PATENT RIGHTS AND SALES RIGHTS ARE EXPRESSLY RESERVED BY SAMTEC, INC. THIS DOCUMENT SHALL NOT BE DISCLOSED, IN WHOLE OR PART, TO ANY UNAUTHORIZED PERSON OR ENTITY NOR REPRODUCED, TRANSFERRED OR INCORPORATED IN ANY OTHER PROJECT IN ANY MANNER WITHOUT THE EXPRESS WRITTEN CONSENT OF SAMTEC, INC.

DO NOT SCALE DRAWING

SHEET SCALE: 1.5:1

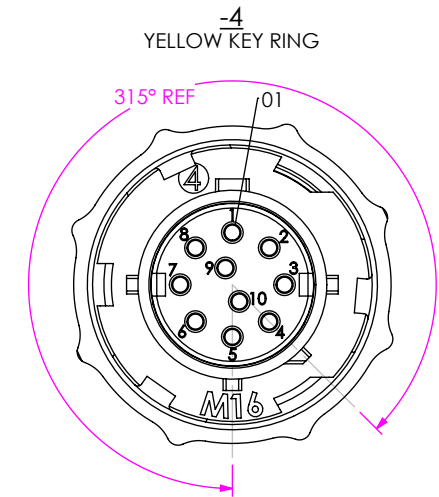
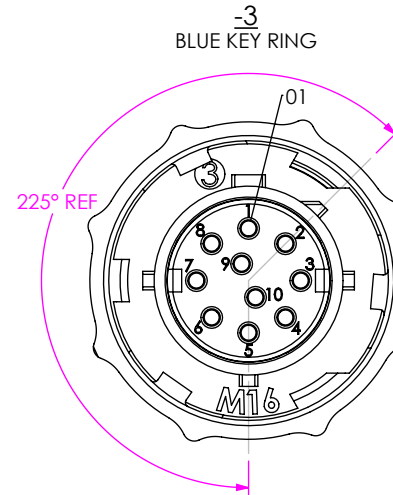
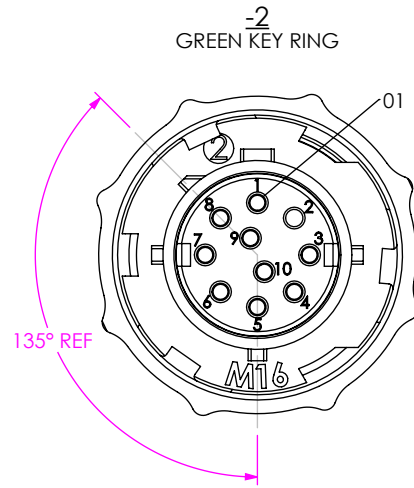
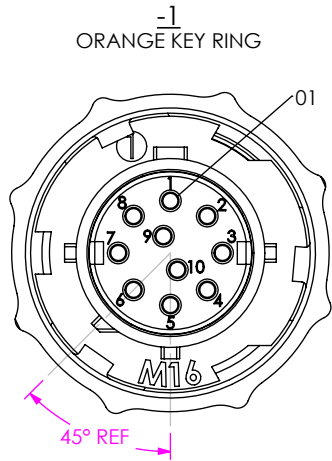
samtec

520 PARK EAST BLVD, NEW ALBANY, IN 47150
PHONE: 812-944-6733 FAX: 812-948-5047
e-Mail info@SAMTEC.com code 55322

DESCRIPTION: ACCLIMATE CIRC. FIELD TERM. KIT

DWG. NO. ACPK-16-XX-X-X-M-X

BY: T NEWTON 5/11/2011 SHEET 3 OF 4



PROPRIETARY NOTE
THIS DOCUMENT CONTAINS CONFIDENTIAL AND PROPRIETARY INFORMATION AND ALL DESIGN, MANUFACTURING, REPRODUCTION, USE, PATENT RIGHTS AND SALES RIGHTS ARE EXPRESSLY RESERVED BY SAMTEC, INC. THIS DOCUMENT SHALL NOT BE DISCLOSED, IN WHOLE OR PART, TO ANY UNAUTHORIZED PERSON OR ENTITY NOR REPRODUCED, TRANSFERRED OR INCORPORATED IN ANY OTHER PROJECT IN ANY MANNER WITHOUT THE EXPRESS WRITTEN CONSENT OF SAMTEC, INC.

DO NOT SCALE DRAWING

SHEET SCALE: 1:1

samtec

520 PARK EAST BLVD, NEW ALBANY, IN 47150
PHONE: 812-944-6733 FAX: 812-948-5047
e-Mail info@SAMTEC.com code 55322

DESCRIPTION: ACCLIMATE CIRC. FIELD TERM. KIT

DWG. NO. ACPK-16-XX-X-X-M-X

BY: T NEWTON 5/11/2011 SHEET 4 OF 4