

ACP Cable Connector for the 047 Semi-Rigid Cable

Technical Data Sheet

ACP-047-P

Description

The ACP Cable Connector assembly is designed for use with the 047 Semi-Rigid Cable. This solderless connector is reusable and field replaceable. The ACP connector sets a new standard in performance, longevity and value in the coaxial connector industry.

Features

Max. Operating Frequency 110 GHz
 Small Footprint (6MM flat to flat)
 Solderless Attachment Possible

Configuration

047 Semi-Rigid Cable
 50 Ohms
 Straight Body Connector Assembly

Applications

General Purpose Test
 Signal Integrity Measurements

Test Fixtures
 Transmissions Systems

Mechanical Specifications

Size:	
Length(MM)	11.4
Width/Dia. (MM)	5.9
Weight (G)	1.50
Mating Cycles	>500

Material Specifications

Component Description

Connector Assembly

Construction Material

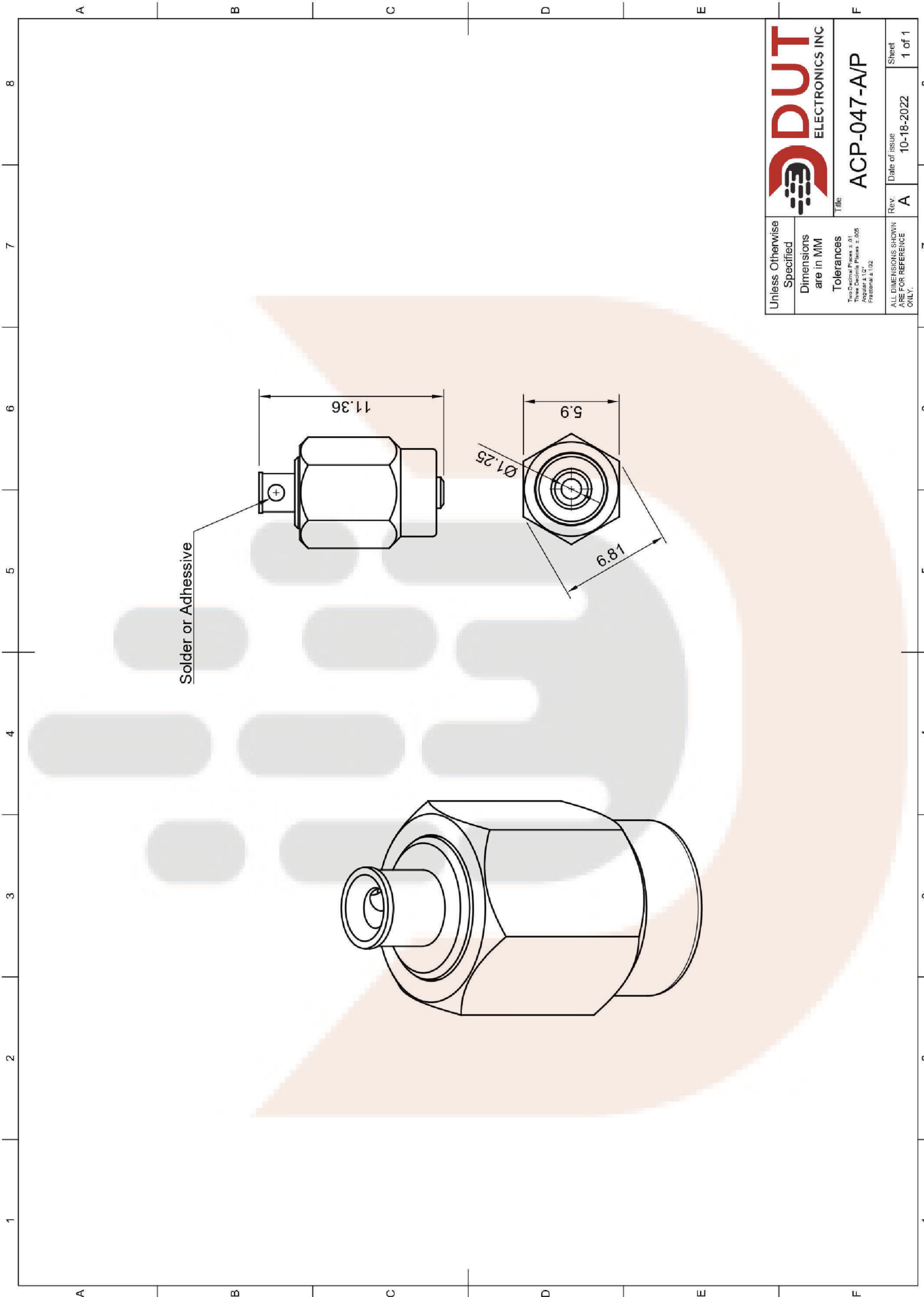
Brass

Surface Finish

ENIG

Environmental Specifications

-55 to 140 °C (Continuous Operating Temperature)



Unless Otherwise Specified Dimensions are in MM Tolerances Two Decimal Places $\pm .01$ Three Decimal Places $\pm .005$ Angular $\pm 1.2^\circ$ Fractional $\pm 1/32$			Sheet 1 of 1
	ACP-047-A/P		Date of Issue 10-18-2022
ALL DIMENSIONS SHOWN ARE FOR REFERENCE ONLY.		Rev A	8