

# XS130B3PAL5

inductive sensor XS1 M30, L45mm, brass,  
Sn15mm, 12..24VDC, cable 5 m



## Main

|                                    |  |
|------------------------------------|--|
| Range of Product                   | Telemecanique Inductive proximity sensors XS                 |
| Series name                        | General purpose  |
| Sensor Type                        | Inductive proximity sensor                                   |
| Device Application                 | Mobile equipment   |
| Sensor name                        | XS1  |
| Sensor design                      | Cylindrical M30  |
| Size                               | 45 mm  |
| Body type                          | Fixed  |
| Detector flush mounting acceptance | Flush mountable  |
| Material                           | Metal  |
| Type of output signal              | Discrete   |
| Wiring Technique                   | 3-wire   |
| [Sn] nominal sensing distance      | 0.59 in (15 mm)  |
| Discrete output function           | 1 NO   |
| Output circuit type                | DC   |
| Discrete output type               | PNP  |
| Electrical connection              | Cable  |
| Cable length                       | 16.40 ft (5 m)   |
| [Us] rated supply voltage          | 12...24 V DC reverse polarity protection                     |
| Switching capacity in mA           | <= 200 mA overload and short-circuit protection              |
| IP degree of protection            | IP65 conforming to IEC 60529<br>IP67 conforming to IEC 60529 |

## Complementary

|                          |                            |
|--------------------------|----------------------------|
| Thread type              | M30 x 1.5                  |
| Detection face           | Frontal                    |
| Front material           | PPS                        |
| Enclosure Material       | Nickel Plated Brass        |
| Operating zone           | 0.00...0.47 in (0...12 mm) |
| Differential travel      | 1...15% of Sr              |
| Cable composition        | 3 x 0.34 mm <sup>2</sup>   |
| Wire insulation material | PvR                        |
| Status LED               | Output state 1 LED yellow) |
| Supply voltage limits    | 10...36 V DC               |
| Switching frequency      | <= 500 Hz                  |
| Maximum voltage drop     | <2 V closed)               |
| Current consumption      | <= 10 mA no-load           |
| Maximum delay first up   | 10 ms                      |
| Maximum delay response   | 0.6 ms                     |
| Maximum delay recovery   | 1.4 ms                     |
| Marking                  | CE                         |
| Threaded length          | 1.26 in (32 mm)            |
| Length                   | 1.77 in (45 mm)            |

## Environment

|                                       |   |
|---------------------------------------|---|
| Product Certifications                | E2<br>UL<br>CSA                         |
| Ambient Air Temperature for Operation | -13...158 °F (-25...70 °C)              |
| Ambient Air Temperature for Storage   | -40...185 °F (-40...85 °C)              |
| Vibration resistance                  | 25 gn +/- 2 mm 10...55 Hz)IEC 60068-2-6 |
| Shock resistance                      | 50 gn 11 ms IEC 60068-2-27              |

## Ordering and shipping details

|                       |                          |
|-----------------------|--------------------------|
| Category              | 22486-SENSORS, PROXIMITY |
| Discount Schedule     | DS2                      |
| GTIN                  | 3389119036719            |
| Nbr. of units in pkg. | 1                        |
| Package weight(Lbs)   | 8.32 oz (236.0 g)        |
| Returnability         | No                       |
| Country of origin     | ID                       |

## Packing Units

|                              |                          |
|------------------------------|--------------------------|
| Unit Type of Package 1       | PCE                      |
| Package 1 Height             | 2.76 in (7 cm)           |
| Package 1 width              | 3.94 in (10 cm)          |
| Package 1 Length             | 5.12 in (13 cm)          |
| Unit Type of Package 2       | PAL                      |
| Number of Units in Package 2 | 224                      |
| Package 2 Weight             | 130.87 lb(US) (59.36 kg) |
| Package 2 Height             | 23.62 in (60 cm)         |
| Package 2 width              | 31.50 in (80 cm)         |
| Package 2 Length             | 88.19 in (224 cm)        |
| Unit Type of Package 3       | S03                      |
| Number of Units in Package 3 | 24                       |
| Package 3 Weight             | 14.01 lb(US) (6.354 kg)  |
| Package 3 Height             | 11.81 in (30 cm)         |
| Package 3 width              | 11.81 in (30 cm)         |
| Package 3 Length             | 15.75 in (40 cm)         |

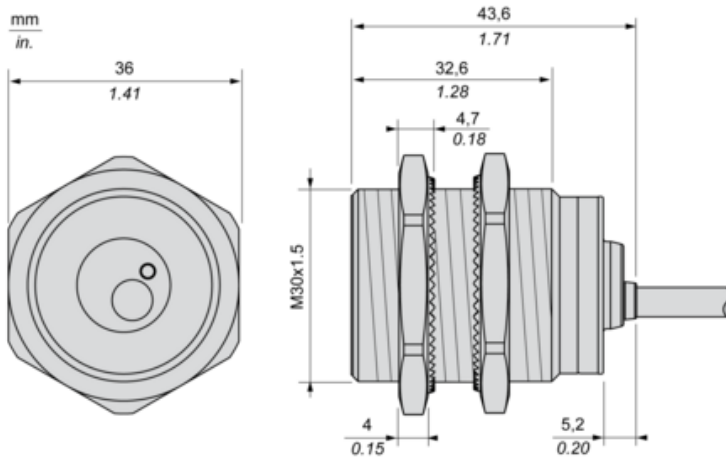
## Offer Sustainability

|                            |   |
|----------------------------|---|
| Sustainable offer status   | Green Premium product   |
| California proposition 65  | WARNING: This product can expose you to chemicals including: Diisononyl phthalate (DINP), which is known to the State of California to cause cancer, and Di-isodecyl phthalate (DIDP), which is known to the State of California to cause birth defects or other reproductive harm. For more information go to <a href="http://www.P65Warnings.ca.gov">www.P65Warnings.ca.gov</a> |
| REACH Regulation           | <a href="#">REACH Declaration</a>   |
| EU RoHS Directive          | Pro-active compliance (Product out of EU RoHS legal scope) <a href="#">EU RoHS Declaration</a>  |
| Mercury free               | Yes   |
| RoHS exemption information | <a href="#">Yes</a>   |
| Environmental Disclosure   | <a href="#">Product Environmental Profile</a>   |
| Circularity Profile        | <a href="#">End Of Life Information</a>   |

## Contractual warranty

|          |           |
|----------|-----------|
| Warranty | 18 months |
|----------|-----------|

Dimensions



---

Minimum Mounting Distances

---

Side by side



$e (1) \geq 30 \text{ mm}/1.18 \text{ in.}$

Face to face



$e (2) \geq 180 \text{ mm}/7.09 \text{ in.}$

Facing a metal object



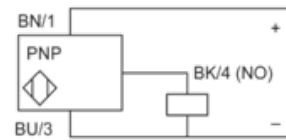
$e (3) \geq 45 \text{ mm}/1.77 \text{ in.}$

---

## Wiring Schemes

---

PNP



BU : Blue

BN : Brown

BK : Black