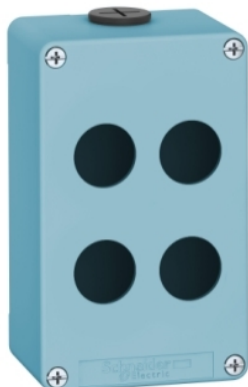


XAPM2504

Harmony XAP, XB2 SL, Empty control station, zinc alloy, blue, 4 cut-outs, Ø22, 80 x 130 x 77 mm



Main

| | |
|-----------------------------|---|
| Range of Product | Harmony XAP |
| Product or Component Type | Die-cast empty control station |
| Device short name | XAPM |
| Product destination | For Ø 22 mm control and signalling units |
| Product front plate size | 80 x 130 mm |
| Usable depth | 2.93 in (74.5 mm) |
| Number of cut-out | 4 cut-outs |
| Colour of base of enclosure | Blue |
| Colour of cover | Blue |
| Material | Zinc alloy |
| Cable entry | 1 hole with blanking plug for cable gland 0.55 in (14 mm) 1 hole without blanking plug for cable gland 0.55 in (14 mm) |
| Device mounting | Flush |
| IP degree of protection | IP65 IEC 60529 IP69 NF C 20-010 IP69K |

Complementary

| | |
|-------------------------|-----------------------|
| Number of vertical rows | 2 |
| Net Weight | 1.79 lb(US) (0.81 kg) |

Environment

| | |
|---------------------------------------|--|
| Protective treatment | TC |
| Ambient Air Temperature for Storage | -40...158 °F (-40...70 °C) |
| Ambient air temperature for operation | -40...158 °F (-40...70 °C) |
| Overtoltage category | Class I IEC 60536 Class I NF C 20-030 |

Ordering and shipping details

| | |
|-----------------------|-----------------------|
| Category | 22475 - WALL STATIONS |
| Discount Schedule | CS2 |
| GTIN | 3389110312942 |
| Nbr. of units in pkg. | 1 |
| Package weight(Lbs) | 33.79 oz (958 g) |
| Returnability | No |
| Country of origin | MA |

Packing Units

| | |
|------------------------------|--------------------------|
| Unit Type of Package 1 | PCE |
| Package 1 Height | 3.54 in (9 cm) |
| Package 1 width | 3.74 in (9.5 cm) |
| Package 1 Length | 6.10 in (15.5 cm) |
| Unit Type of Package 2 | S03 |
| Number of Units in Package 2 | 12 |
| Package 2 Weight | 26.61 lb(US) (12.072 kg) |
| Package 2 Height | 11.81 in (30 cm) |
| Package 2 width | 11.81 in (30 cm) |
| Package 2 Length | 15.75 in (40 cm) |
| Package 3 Height | 30.31 in (77 cm) |

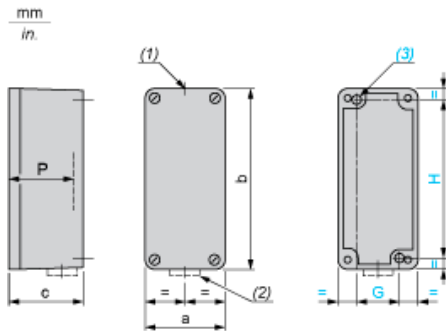
Offer Sustainability

| | |
|----------------------------|---|
| Sustainable offer status | Green Premium product |
| California proposition 65 | WARNING: This product can expose you to chemicals including: Di-isodecyl phthalate (DIDP), which is known to the State of California to cause birth defects or other reproductive harm. For more information go to www.P65Warnings.ca.gov |
| REACH Regulation | REACH Declaration |
| REACH free of SVHC | Yes |
| EU RoHS Directive | Pro-active compliance (Product out of EU RoHS legal scope) EU RoHS Declaration |
| Toxic heavy metal free | Yes |
| Mercury free | Yes |
| RoHS exemption information | Yes |
| China RoHS Regulation | China RoHS Declaration |
| Environmental Disclosure | Product Environmental Profile |
| Circularity Profile | End Of Life Information |

Contractual warranty

| | |
|----------|-----------|
| Warranty | 18 months |
|----------|-----------|

Dimensions and Fixing

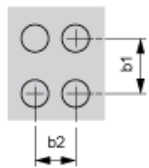


- (1) 1 hole, without blanking plug, for cable gland with 14 mm/0.55 in. maximum clamping capacity
 - (2) 1 hole, with blanking plug (protrusion 6 mm/0.23 in.), for cable gland with 14 mm/0.55 in. maximum clamping capacity
 - (3) 2 x Ø 5.6 mm/0.22 in. holes, depth 20 mm/0.78 in.
- P Usable depth

| a | | b | | c | | G | | H | | P | |
|----|------|-----|------|----|------|----|------|-----|------|------|------|
| mm | in. | mm | in. | mm | in. | mm | in. | mm | in. | mm | in. |
| 80 | 3.15 | 130 | 5.12 | 77 | 3.03 | 50 | 1.97 | 115 | 4.53 | 74.5 | 2.93 |

Refer to the product characteristics to get the number of cut-outs.

Cut-out interaxis dimensions (vertical mounting)



- b1 Vertical interaxis: 40 mm/1.57 in.
- b2 Horizontal interaxis: 30 mm/1.18 in.