



- 10 Gigabit for LAN / WAN Ethernet applications
- Designed to meet IEEE802.3
- Maximum Reflow Temp. 260°
- Operating Temperature Range: 0°C to +70°C

Electrical Specifications @ 25°C

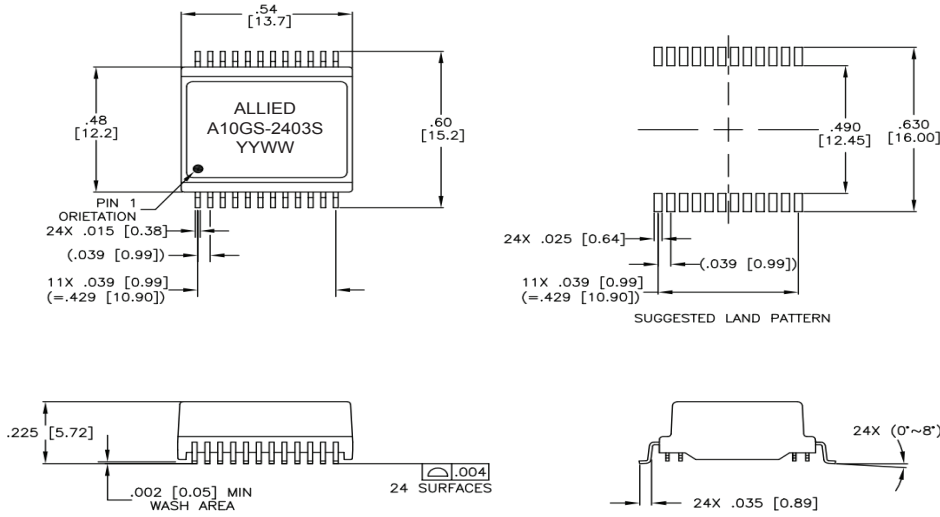
Part Number	OCL(μH Min) @ 100KHz, 0.1V	Turns Ratio chip: cable (±2%)	Insertion Loss (dB Max)		Return Loss (dB Min)				
			100KHz	100-500MHz	1MHz	2-100MHz	100-200MHz	200-400MHz	400-500MHz
A10GS-2403S	200	1CT:1CT	-3.0	-1.0	-22	-25	-22	-11	-8

Electrical Specifications @ 25°C

Part Number	Differential Common Mode Rejection (dB Min)		Cross Talk (dB Min)		Isolation HI-POT (Vrms)
	1-250MHz	250-500MHz	1-100MHz	100-500MHz	
A10GS-2403S	-30	-22	-40	-30	1500

All specifications subject to change without notice.

MECHANICAL



DIMENSIONS ARE IN INCHES [MILLIMETERS] WITH THE FOLLOWING TOLERANCES: [MILLIMETERS] ARE FOR REFERENCE ONLY.  
 .XX = ±.02 [±0.50]  
 .XXX = ±.010 [±0.25]

SCHEMATICS

