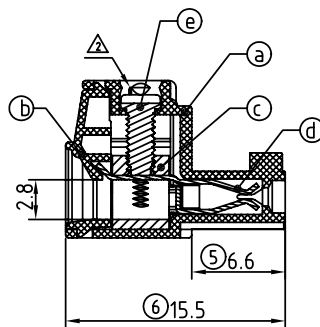
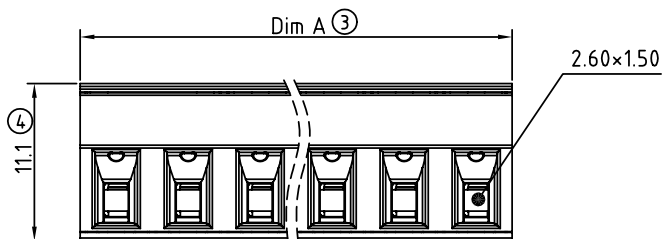
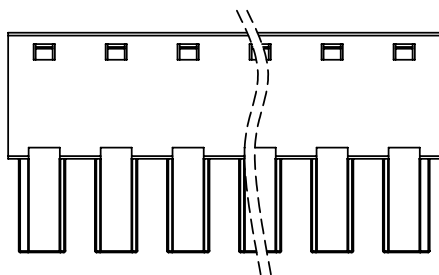


| | | | | | | | | |
|-------|-------|-------|-------|--------|--------|--------|--------|-------|
| Poles | 02 | 03 | 04 | 05 | 06 | 07 | 08 | 09 |
| Dim A | 10.16 | 15.24 | 20.32 | 25.4 | 30.48 | 35.56 | 40.64 | 45.72 |
| Dim B | 5.08 | 10.16 | 15.24 | 20.32 | 25.4 | 30.48 | 35.56 | 40.64 |
| TOL | ±0.15 | | | | ±0.20 | | | |
| Poles | 10 | 11 | 12 | 13 | 14 | 15 | 16 | 17 |
| Dim L | 50.8 | 55.88 | 60.96 | 66.04 | 71.12 | 76.2 | 81.28 | 86.36 |
| Dim B | 45.72 | 50.8 | 55.88 | 60.96 | 66.04 | 71.12 | 76.2 | 81.28 |
| TOL | ±0.30 | | | | ±0.35 | | | |
| Poles | 18 | 19 | 20 | 21 | 22 | 23 | 24 | |
| Dim L | 91.44 | 96.52 | 101.6 | 106.68 | 111.76 | 116.84 | 121.92 | |
| Dim B | 86.36 | 91.44 | 96.52 | 101.6 | 106.68 | 111.76 | 116.84 | |
| TOL | ±0.40 | | | | | | | |



SECTION A-A



| SIGN | DATE | DESCRIPTION | APPROVER |
|------|------------|-----------------------|----------|
| △ | 2009.12.28 | Add UL standard | Jacke |
| △ | 2010.05.24 | The design is changed | Jacke |

THIS IS CAD DRAWING, DO NOT REVISE MANUALLY!!!

Material

- Item ① Insulating body: Thermoplastic (UL94V-0)
- Item ② Insulating cover: Thermoplastic (UL94V-0)
- Item ③ Contact: Brass, Tin plated
- Item ④ Wire guard: PhBz, Tin plated
- Item ⑤ Terminal screw: Steel Cr3+ Zinc plating "-" slot type

Electrical

- Voltage rating: 300VAC
- Current rating: 10A
- Wire range:
 - Solid wire(AWG): 14-30
 - Stranded wire(AWG): 14-30
- Torque(Lb-In): 2
- Screw: M2
- Wire strip length: 7-8mm
- Withstanding Voltage: 1.6KV
- Operating temperature: -40°C to +115°C
- Soldering temperature: 250°C±10°C/5 Sec

△ ● Safety Approval: **us**

VR xx 51x 0 xxxx G

| | | | | | | |
|-----|-------------|---|-------------------|--|-------------------|--------------|
| 02 | 2 CONTACTS | 0 | Black (RAL9005) | 0000 | Standard @ Logo | RoHS |
| 03 | 3 CONTACTS | 2 | Red (RAL3001/D) | 000A | Standard ANY Logo | Pb<40,000ppm |
| ... | ... | 3 | Orange(RAL2011/P) | Any special item by customer request, please contact sales department. | | |
| 24 | 24 CONTACTS | 4 | Yellow(RAL1018/A) | | | |
| | | 5 | Green(RAL6018/T) | | | |
| | | 6 | Blue (RAL5015/A) | | | |
| | | 8 | Grey(RAL7035/D) | | | |

ANYTEK

CUSTOMER COPY

ALL RIGHTS RESERVED. REPRODUCTION OR ISSUE TO THIRD PARTIES IN ANY FORM WHATSOEVER IS NOT PERMITTED WITHOUT WRITTEN AUTHORITY FROM THE PROPRIETOR. PROPERTY OF ANYTEK TECHNOLOGY CO., LTD

| | | | | | | | |
|----------|---------|--|------------|--------------|---------|-------------|---------|
| TITLE | | VR 5.08 Series W/o flange (Contact on down side) | | | | | |
| PART NO. | | VRxx51x0xxxG | | | DWG NO. | | 8VR0001 |
| APPROVED | CHECKED | DESIGNED | DRAWN | CUST NO. | | Tolerance | |
| | | Jacke | Jacke | | | X. ±0.50 | |
| | | 2010.05.24 | 2010.05.24 | | | X.X ±0.30 | |
| | | | | | | UNIT: mm | |
| | | | | | | SCALE: NONE | |
| | | | | SHEET: 01/01 | | REV.: D | |
| | | | | | | X.XX ±0.10 | |
| | | | | | | X° ±1° | |