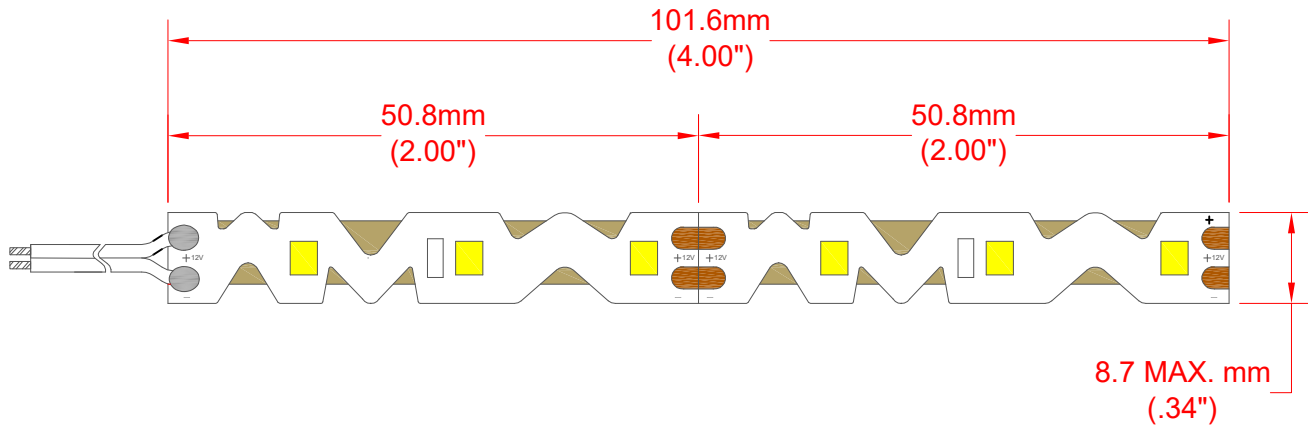


12V COOL WHITE LED BENDABLE FLEX RIBBON

Features

VOLTAGE: 12V DC
CURRENT: 5.0 Amps

STANDARD PACKAGING:
5 METER REEL (300 LED'S)



JKL Part Number	Color	Number of LED'S	Input Voltage (V DC)	Power (W)	Radiance Angle	CCT (K)	Lumen Flux (lm)
ZFS-8500BND-CW	Cool White	300	12	60	120°	6000°K	4760



ATTENTION

OBSERVE PRECAUTION FOR HANDLING ELECTROSTATIC DISCHARGE SENSITIVE DEVICES

<p>THIRD ANGLE PROJECTION</p>		<p>METRIC</p>		<p>DIMENSIONS ARE IN mm (INCHES)</p> <p>TOLERANCE UNLESS OTHERWISE SPECIFIED</p> <p>1 PL +/- REF.</p> <p>2 PL +/- REF.</p> <p>ANGLE +/-</p>		<p>JKL COMPONENTS CORPORATION</p>									
<p>RELEASED & CANCEL PL-1603-04</p>		<p>2/15/17</p>		<p>DRAWN BY L. WENGSTROM</p>		<p>APPV'D BY L.R.</p>		<p>DATE 2/15/17</p>		<p>SCALE NONE</p>		<p>DRAWING NO. ZFS-8500BND-CW</p>		<p>TITLE 12V COOL WHITE LED BENDABLE FLEX RIBBON</p>	
<p>REV. NO.</p>		<p>DESCRIPTION/ECO NUMBER</p>		<p>APPV'D DATE</p>		<p>- CAD DRAWING -</p> <p>MANUAL REVISIONS NOT PERMITTED</p>		<p>RELEASED DATE 2/15/17</p>		<p>REVISION DATE</p>		<p>REV. NO.</p>		<p>SHEET 1 OF 1</p>	