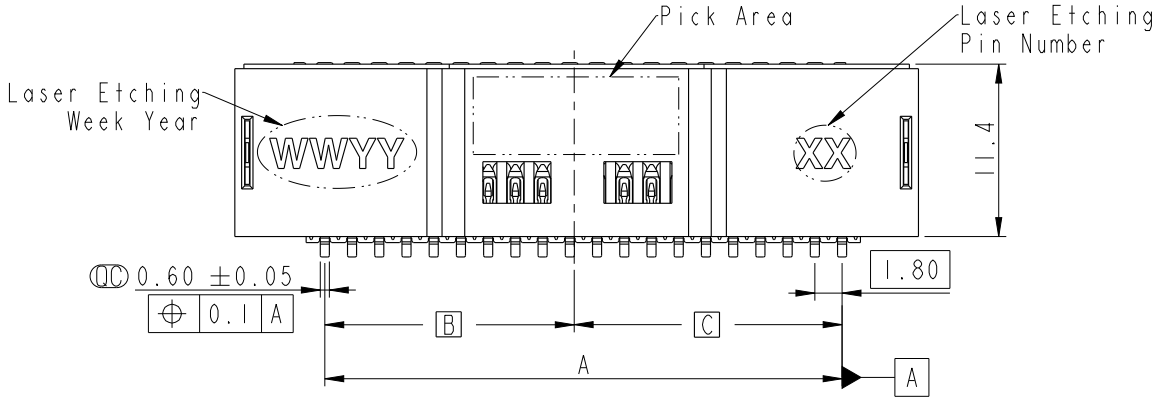


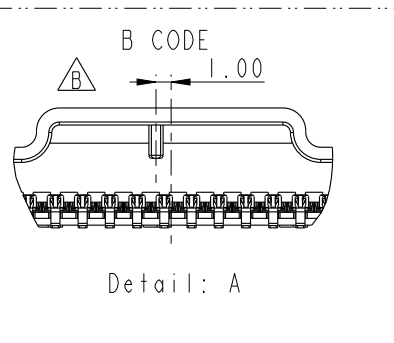
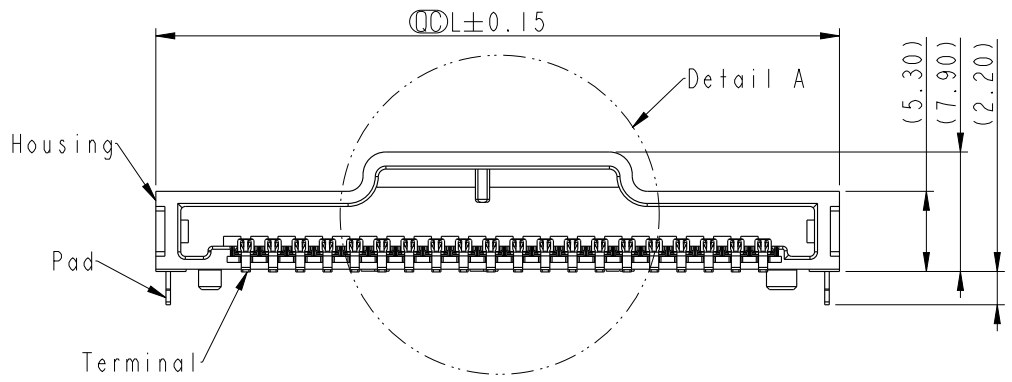
THIS DOCUMENT IS SUBJECT TO CHANGE WITHOUT NOTICE. IT IS CONFIDENTIAL AND A PROPERTY OF Amphenol LTW. DISCLOSURE TO THIRD PARTY HAS TO BE AUTHORIZED BY Amphenol LTW.

REV.	ECN NO.	DATE	SIGN	DESCRIPTION
A		2021/10/09	Xiaofeng	New Initial
B	C220320	2022/03/02	Xiaofeng	$\triangle$ B XI



ZCONNECT SIZE

PIN	L(mm)	A(mm)	B(mm)	C(mm)
11	29.0	18.0	9.45	8.55
12	30.8	19.8	9.45	10.35
13	32.6	21.6	11.25	10.35
14	34.4	23.4	11.25	12.15
15	36.2	25.2	13.05	12.15
16	38.0	27.0	13.05	13.95
17	39.8	28.8	14.85	13.95
18	41.6	30.6	14.85	15.75
19	43.4	32.4	16.65	15.75
20	45.2	34.2	16.65	17.55



ZB-XX BFRS-BA0001  
 XX-Number of Contacts

Note:  
 \*  $\varnothing$  Important Dimensions To Check.  
 \* Housing: Thermoplastic Black.  
 \* Terminal: Copper Alloy Gold Plated.  
 \* Pad: Metal.

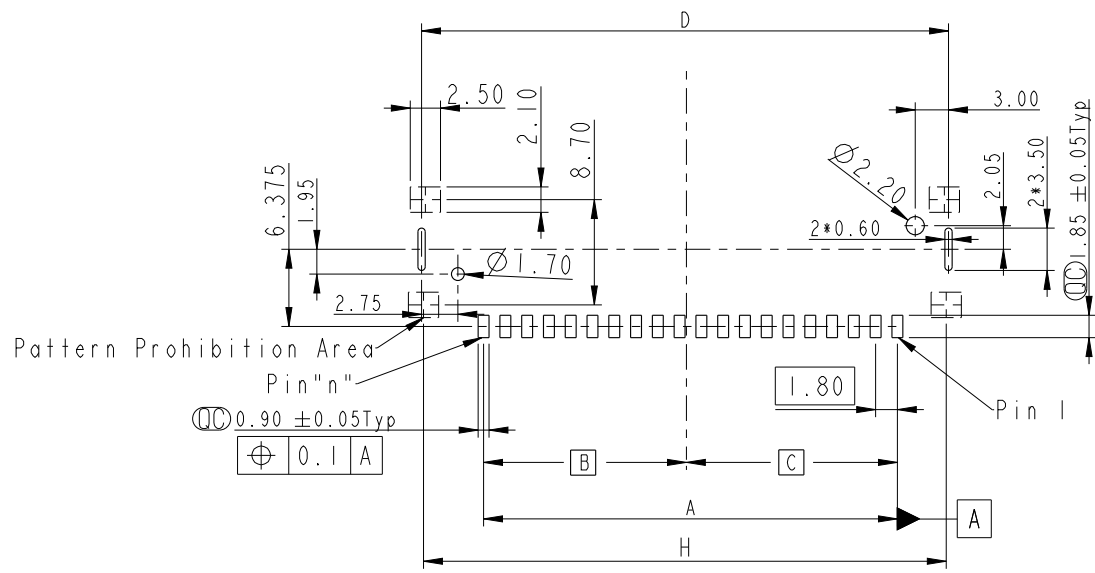
UNIT: mm

TOLERANCE	
.X	±0.25
.XX	±0.1
.XXX	±0.05
ANGLES	±1°

TITLE Z CONN., N SHLD, B, P 1.8, F SMD			
SCALE	SIZE	SHEET	OF
1:1	A4	1	4
REV.	WC-REV.	$\varnothing$ : Inspection item	
B	.0		

**Amphenol LTW**  
 安費諾亮泰企業股份有限公司

ITEM NO.	DRAWN BY	DATE
	Xiaofeng	2021/10/09
DWG NO.	CHECKED BY	DATE
ZB-XXBFRS-BA0001	Feng-Li	2021/10/09
CUSTOMER	APPROVED BY	DATE
ALTW	Jerry	2021/10/09



RECOMMENDED PCB LAYOUT

PCB LAYOUT SIZE					
PIN	A(mm)	B(mm)	C(mm)	D(mm)	H(mm)
11	18.0	9.45	8.55	27.35	27.0
12	19.8	9.45	10.35	29.15	28.8
13	21.6	11.25	10.35	30.95	30.6
14	23.4	11.25	12.15	32.75	32.4
15	25.2	13.05	12.15	34.55	34.2
16	27.0	13.05	13.95	36.35	36.0
17	28.8	14.85	13.95	38.15	37.8
18	30.6	14.85	15.75	39.95	39.6
19	32.4	16.65	15.75	41.75	41.4
20	34.2	16.65	17.55	43.55	43.2

UNIT: mm

TOLERANCE  
 .X ±0.25  
 .XX ±0.1  
 .XXX ±0.05  
 ANGLES ±1°

TITLE Z CONN., N SHLD, B, P 1.8, F SMD

SCALE 1:1 SIZE A4 SHEET 2 OF 4

REV. B WC-REV. .0

Ⓞ: Inspection item

**Amphenol LTW**  
 安費諾亮泰企業股份有限公司

ITEM NO

DWG NO ZB-XXBFRS-BA0001

CUSTOMER ALTW

DRAWN BY Xiaofeng

CHECKED BY Feng-Li

APPROVED BY Jerry

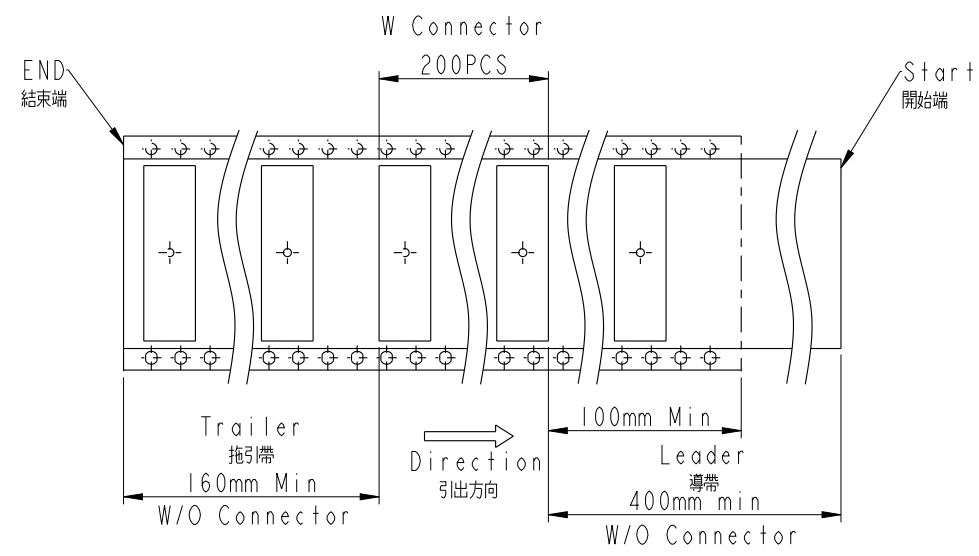
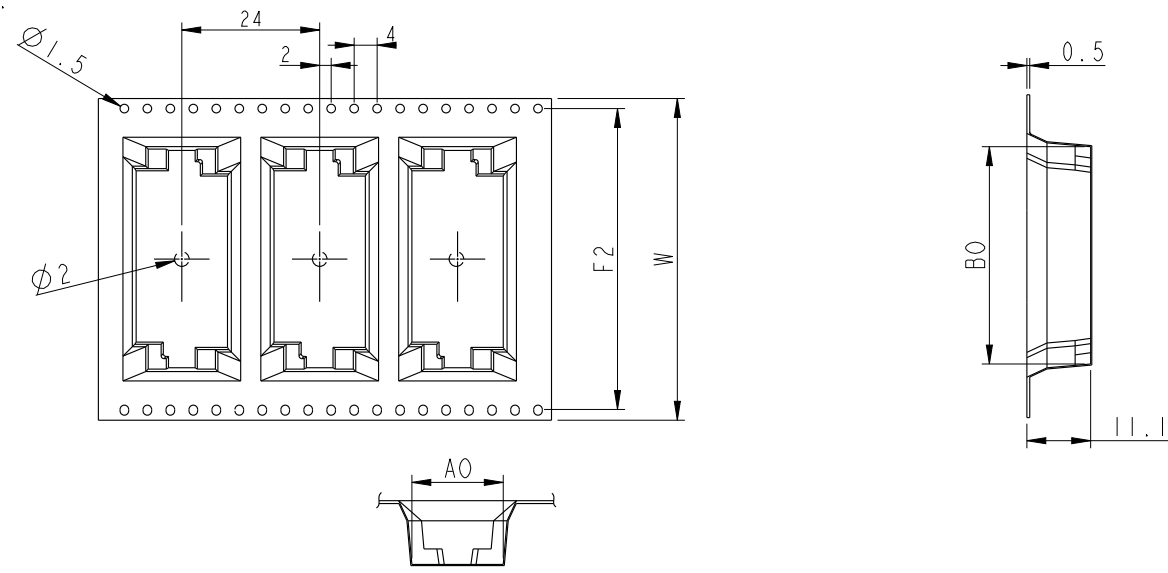
DATE 2021/10/09

DATE 2021/10/09

DATE 2021/10/09

THIS DOCUMENT IS SUBJECT TO CHANGE WITHOUT NOTICE. IT IS CONFIDENTIAL AND A PROPERTY OF Amphenol LTW. DISCLOSURE TO THIRD PARTY HAS TO BE AUTHORIZED BY Amphenol LTW.

Packing:



PIN	B0(mm)	W(mm)	F2(mm)	A0(mm)
11	29.3	44	40.4	15.9
12	31.1	56	52.4	
13	32.9			
14	34.7			
15	36.5			
16	38.3			
17	40.1			72
18	41.9			
19	43.7			
20	45.5			

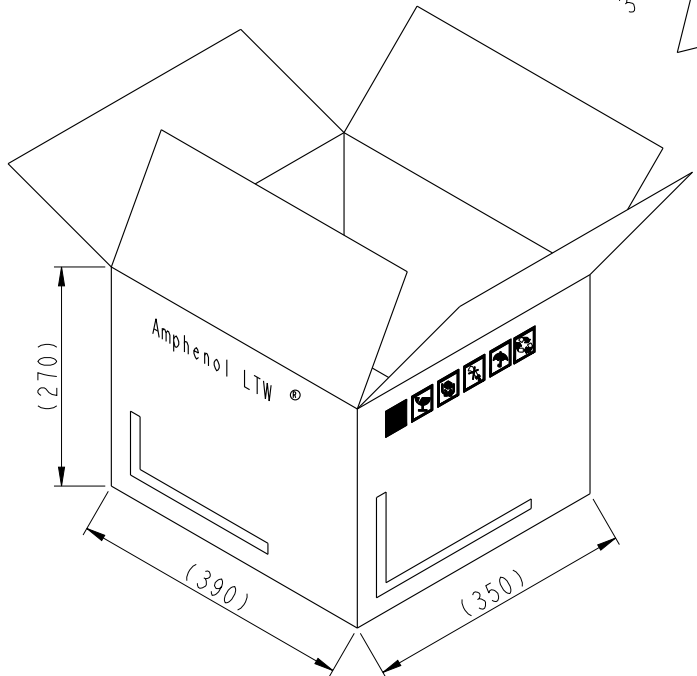
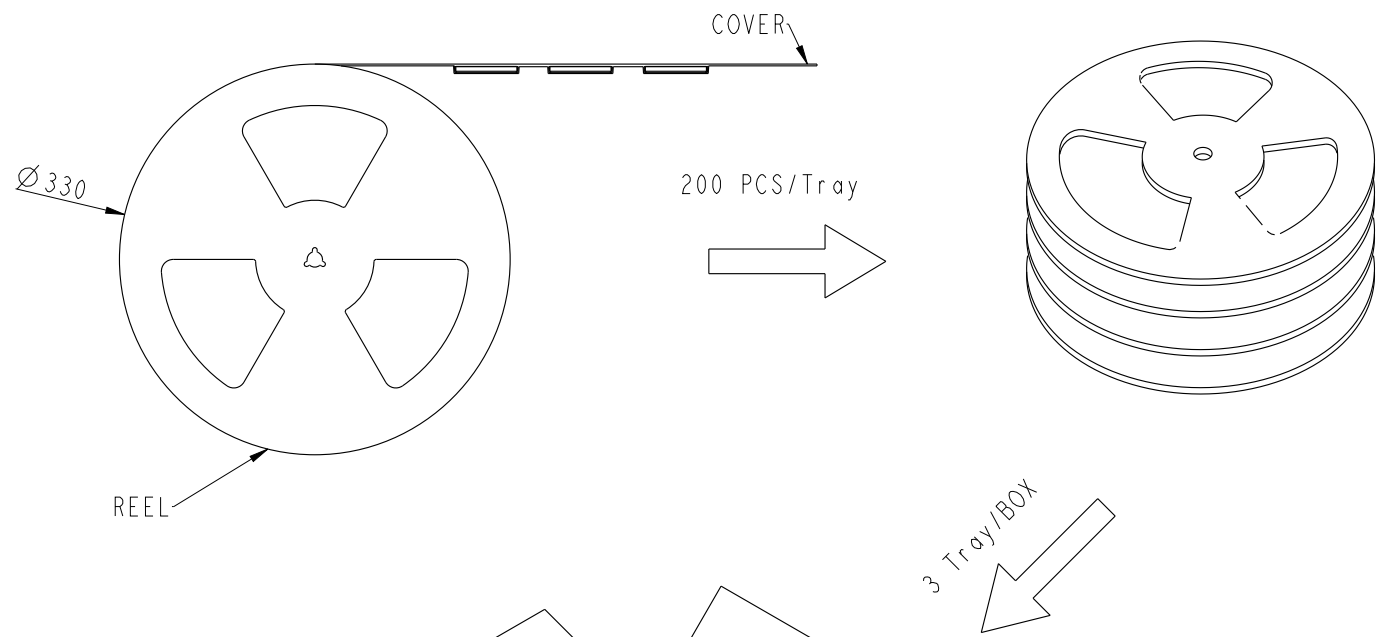
UNIT: mm		
TOLERANCE	±0.25	
.X	±0.1	
.XX	±0.05	
.XXX	±0.05	
ANGLES	±1°	

TITLE Z CONN., N SHLD, B, P 1.8, F SMD			
SCALE 1:1	SIZE A4	SHEET 3 OF 4	
REV. B	WC-REV. .0	QC: Inspection item	

**Amphenol LTW**  
安費諾亮泰企業股份有限公司

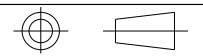
ITEM NO	DRAWN BY Xiaofeng	DATE 2021/10/09
DWG NO ZB-XXBFRS-BA0001	CHECKED BY Feng-Li	DATE 2021/10/09
CUSTOMER ALTW	APPROVED BY Jerry	DATE 2021/10/09

THIS DOCUMENT IS SUBJECT TO CHANGE WITHOUT NOTICE. IT IS CONFIDENTIAL AND A PROPERTY OF Amphenol LTW. DISCLOSURE TO THIRD PARTY HAS TO BE AUTHORIZED BY Amphenol LTW.



Note:  
 \*  $\varnothing$  Important Dimensions.  
 \* MATERIAL: BLACK CONDUCTIVE POLYSTYRENE ALLOY(UP-6100).

UNIT:mm



TITLE Z CONN., N SHLD, B, P 1.8, F  
SMD

**Amphenol LTW**

ITEM NO

DRAWN BY  
Xiaofeng

DATE  
2021/10/09

DWG NO  
ZB-XXBFRS-BA0001

CHECKED BY  
Feng-Li

DATE  
2021/10/09

CUSTOMER  
ALTW

APPROVED BY  
Jerry

DATE  
2021/10/09

TOLERANCE  
 .X ±0.25  
 .XX ±0.1  
 .XXX ±0.05  
 ANGLES ±1°

SCALE 1:1 SIZE A4 SHEET 4 OF 4

安費諾亮泰企業股份有限公司

REV. B WC-REV. .0  $\varnothing$  Inspection item