

# MICRO SWITCH

FREERPORT ILLINOIS, U.S.A  
A DIVISION OF HONEYWELL  
FED. MFG. CODE 91829

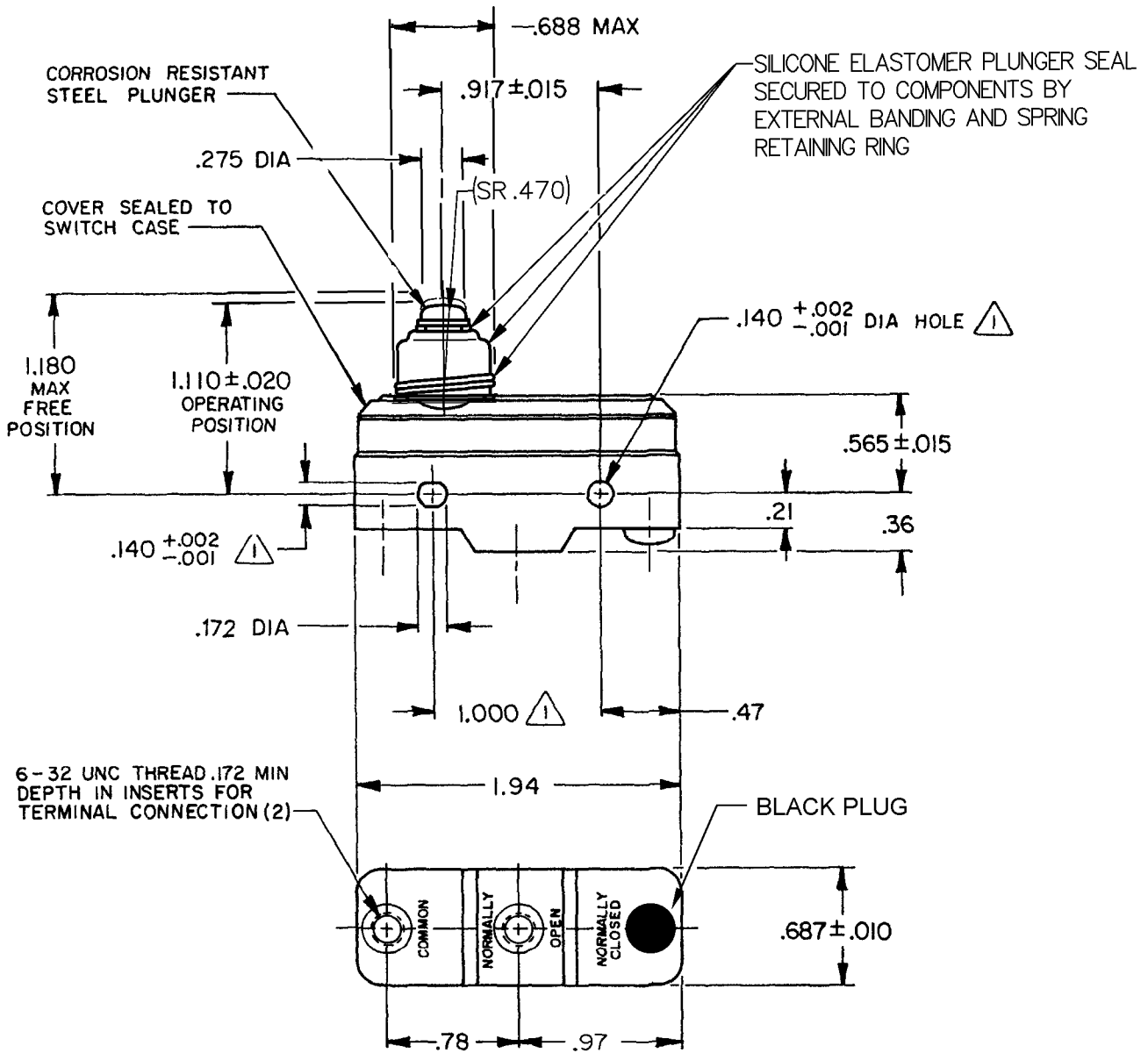
# SWITCH - BASIC

CATALOG LISTING

YZ-2RDS5551-A22

AWP2740

CATALOG LISTING  
**M** YZ-2RDS5551-A22  
PAGE 1 OF 1  
REPLACES  
RELEASE NO. PR-14519  
DRAWING NUMBER  
**9**  
ISSUE

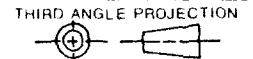


6-32 UNC THREAD .172 MIN DEPTH IN INSERTS FOR TERMINAL CONNECTION (2)

**NOTES**

- 1 MOUNTING HOLES WILL ACCEPT PINS OR SCREWS OF .139 MAX DIA ON 1.000 ± .002 CENTERS
- 2 SEALED CONSTRUCTION PROVIDES SPLASH RESISTANCE

THIS DRAWING COVERS A PROPRIETARY ITEM AND IS THE PROPERTY OF MICRO SWITCH, A DIVISION OF HONEYWELL. THIS DRAWING IS NOT TO BE COPIED OR USED WITHOUT THE APPROVAL OF MICRO SWITCH.



CHARACTERISTICS	
OPERATING FORCE	-----13-19 OZ
RELEASE FORCE	-----4 OZ MIN
DIFFERENTIAL TRAVEL	----.0004-.0025
OVERTRAVEL	-----.060 MIN

ELECTRICAL DATA	
CONTACT ARRANGEMENT S P N O	
L96 15A 125, <u>250</u> OR 480 VAC 1/8 HP 125 VAC, 1/4 HP <u>250</u> VAC 1/2A 125 VDC, 1/4A <u>250</u> VDC	
L288 L306 L315	CE  05
16A 250V ~ T85 5E4	

SCALE FULL			
DO NOT SCALE PRINT			
TOLERANCES APPLY TO DESIGN UNITS. CONVERSIONS ARE ONLY FOR REFERENCE. UNLESS NOTED, TOLERANCES ARE ±			
DIM. mm	TOL. mm/in	DIM. in	TOL. mm/in
NO PLACES ONE PLACE TWO PLACES THREE PLACES ANGLES	X X.X X.XX X.XXX	0.1/018 0.15/006	X.X X.XX X.XXX 0.8/03 0.38/015 0.13/005
DESIGN UNITS <input type="checkbox"/> BI METRIC		US CUSTOMARY <input checked="" type="checkbox"/>	
WEIGHT .085 LB			

REVISIONS  
A C067209 J A P 3 MAY 90  
B C071458 J A L 21 NOV 91  
C CO-77588 K D R 29 MAR 94  
D CO-78275 S A D 22 JUL 94  
E C083108 G J W 13 JUN 96  
F C093346 D L T 22 SEP 98  
G 0000763 C S L 2 JUL 03  
H 0017586 T S G 09 JAN 06  
CHECK K A G 18 FEB 86  
DRAWN RASTER  
J A S 17 FEB 86