



產品規格 / 承認書

PRODUCT SPECIFICATION / APPROVAL SHEET



客戶

CUSTOMER:

元山型號

Y.S. TECH MODEL NO.:

YW08025012BM

客戶型號

CUSTOMER MODEL NO.:



本承認書內容若貴公司確認無誤，懇請於下方承認欄內簽章寄回。  
Please confirm your acceptance of this approval sheet by return fax.

承認欄 CONFIRMATION SIGNATURE

元山科技工業股份有限公司  
電子熱傳事業部 / Y.S.TECH  
YEN SUN TECHNOLOGY  
CORPORATION

高雄縣仁武鄉鳳仁路三二九號 (814)  
No.329 Feng Ren Road, Ren Wu Shiang,  
Kaohsiung , Taiwan ROC 814  
Tel: 886-7-3713588 Fax: 886-7-3719643  
E-mail: ystech@ystech.com.tw  
URL: www.ystech.com.tw

SPEC No.	RS040491
Issue Date	04/15/04
Edition	0 版
Revised Date	MM / DD / YY

APPD.	EDAM	DRAW
許志聰	余慧珍	張馥怡

# 產品規格 / 承認書

## PRODUCT SPECIFICATION / APPROVAL SHEET

### A. 一般規格 (General Specification)

項 目 (Item)		規 格 / 條 件 (Specification / Condition)	
01	型號 (Part No.)	YW08025012BM	
02	外型尺寸 (Outline Dimension)	80 x 80 x 25	mm
03	額定電壓 (Rated Voltage)	DC 12.0 V	
04	電壓範圍 (Voltage Range)	DC 7.0 V ~ DC 13.2 V	
05	起動電壓 (Starting Voltage)	DC 7.0 V	a. 額定電壓 (Rated Voltage) b. 25 °C c. 65 % RH
06	額定電流 (Rated Current)	0.16 A	
07	額定功率 (Rated Power Consumption)	1.92 W	
08	轉速 (Speed)	2500 R.P.M. ± 10%	a. 65% RH , 25 °C b. 自由空氣 (Free Air) c. 額定電壓 (Rated Voltage)
09	最大風量 (Max. Airflow)	37.0 CFM (ft3/min)	a. 額定電壓 (Rated Voltage) b. AMCA標準 (Standard) c. 額定電流 (Rated Current)
		1.047 m3/min	
10	最大靜壓 (Max. Static Pressure)	0.087 in-H <sub>2</sub> O	
		2.2 mm-H <sub>2</sub> O	
11	音量位準 (Noise Level)	30.0 dB(A)	a. 額定電壓 (Rated Voltage) b. 無響室測試 (Measured in a Non-Echo Chamber) c. CNS 8753標準 (Standard) d. ISO 3744測試條件 (Test Condition)
12	壽命 (Life Expentancy)	80000 / hrs at 30°C	a. L <sub>10</sub> at Conf. Level 90% b. 額定電壓 (Rated Voltage)
13	極數 (No. of Pole)	4 極 (Poles)	
14	迴轉方向 (Rotating Direction)	逆時針 (Counter-Clockwise)	

### B. 電氣規格 (Electrical Specification)

項 目 (Item)		規 格 / 條 件 (Specification / Condition)	
01	扇葉鎖住保護 (Locked Rotor Protection)	<input type="radio"/> 安規條件。(Safety Condition)	
		<input checked="" type="radio"/> 1.額定電壓鎖住1秒, 自動斷電。 (Auto power off after locked at rated voltage for 1 sec.) 2.自動斷電後, 2至6秒自動嘗試啟動。	
02	極性保護 (Polarity Protection)	<input type="radio"/> Vcc與GND反接時, 不導通。(Open circuit when Vcc & GND are exchanged)	
		<input type="radio"/> Vcc與GND反接時, 5秒內迴路不燒燬(Circuit won't be burned within 5 seconds when Vcc & GND are exchanged)	
03	絕緣阻抗 (Insulation Resistance)	10 MΩ/ 裸線與外框間測量, 500 VDC/min(10 MΩ / b/w unshielded wire and frame at 500 VDC/min)	
04	絕緣耐壓 (Dielectric Strength)	5 mA Max. / 導線與外框間測量, 500 VAC/min(5 mA Max. / Measured b/w lead wire (+) and frame at 500 VAC/min)	

C. 主要材料/零件規格 (Main Materials / Parts Specification)

材料/零件 (Materials / Parts)		規格 (Specification)
01	塑膠材料 / 扇葉、外框、絕緣套 (Plastic Material/Blade, Housing, Bobbin)	a. UL 94V-0 b. P.B.T. + 30% GF Black
02	軸承 (Bearing)	雙滾珠軸承(Two Ball Bearing)
03	導線 (Lead Wire)	Red ( + ), Black ( - ): UL 1007 \ 24 AWG
04	端子 (Connector)	

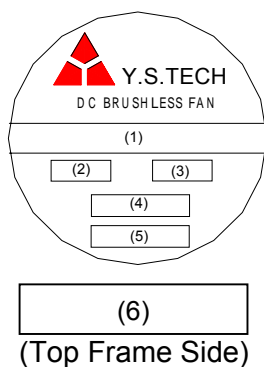
D. 安規規格 (Safety Approvals)

安規 (Safety Approvals)	安規編號 (File No.)	安規 (Safety Approvals)	安規編號 (File No.)
UL	E223068	VDE	
CUL	E223068	T MARK	
TUV	R50036021		
安規承認電流 0.16A + 10% ( Approved current is 0.16A with tolernace of 10% )			

E. 環境測試 (Environmental Specification)

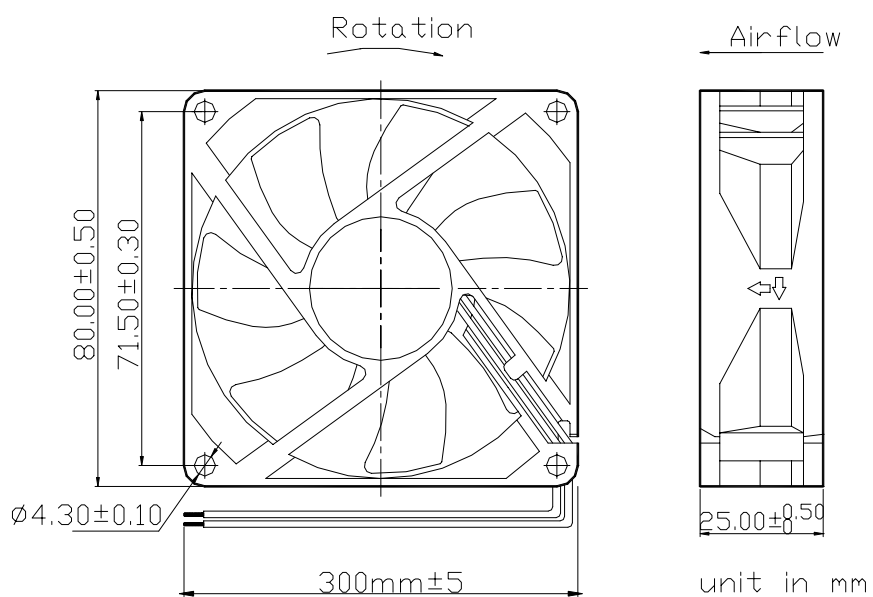
項目 (Item)	規格/條件 (Specification / Condition)
01 運轉溫/溼度範圍 (Operating Temp. Range)	溫度 / Temperature : -10 °C - 70 °C
	溼度 / Humidity : 35 % - 85 % RH
02 保存溫/溼度範圍 (Storge Temp. Range)	溫度 / Temperature : -10 °C - 70 °C
	溼度 / Humidity : 35 % - 80 % RH

F. 商標 (Label Marking)



( 1 )	型號 (Model No.)
( 2 )	額定電壓 (Rated Voltage)
( 3 )	電流 (Current)
( 4 )	安規 (Safety Approvals)
( 5 )	產地 (Location)
( 6 )	附碼 (Appendix Code)

### G. 外觀尺寸圖 (Outline Dimension)





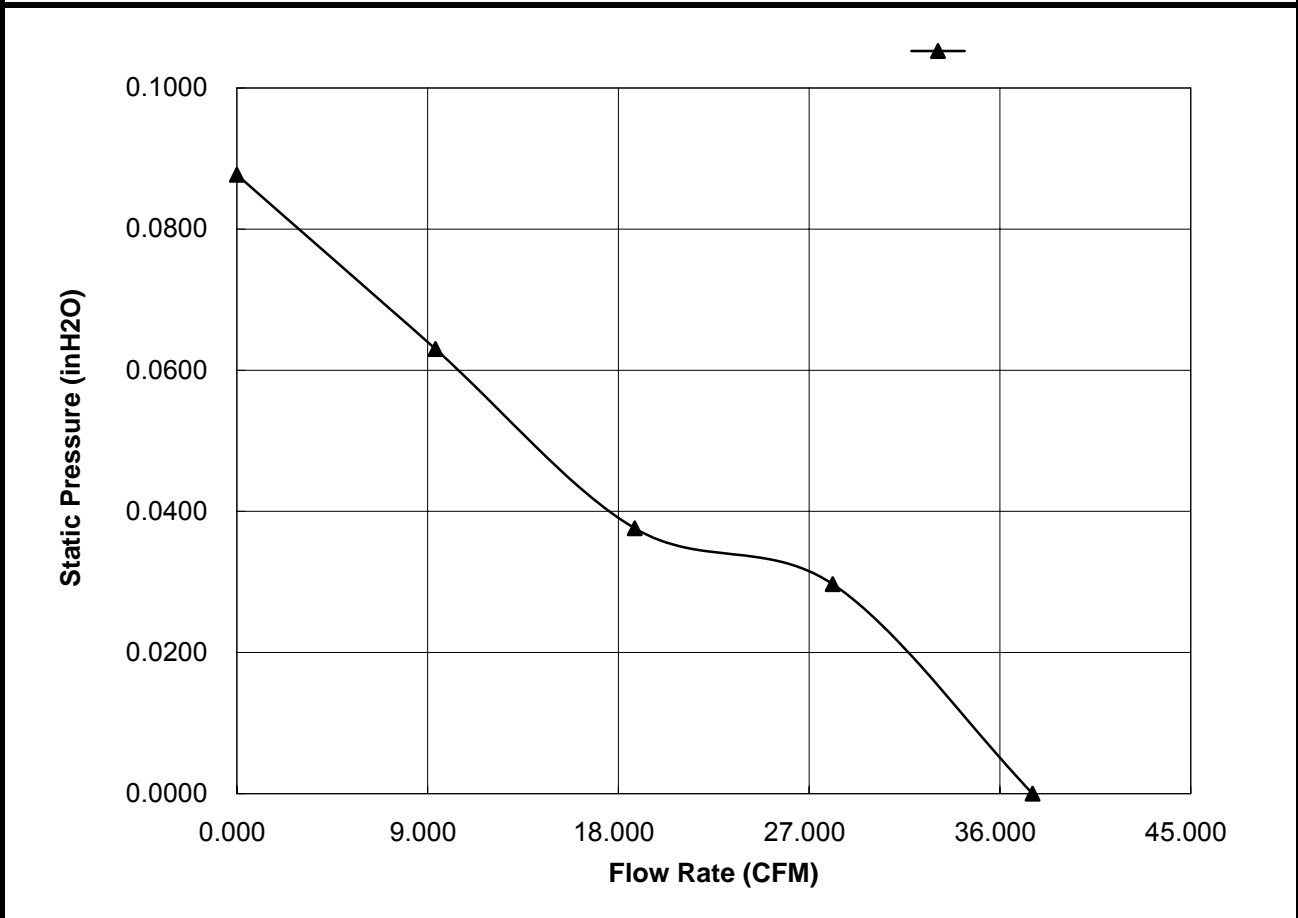
# Yen Sun Technology Corp.

## Fan Performance Test Report

Fan Model : YW08025012BM Key Point : YW08025012BM Blade No. : 7 Motor Poles : 4 Rating Voltage(V) : 12 VDC Rating Current(A) : 0.16 Rating Speed(rpm) : 2500 Test Voltage(V) : 12 VDC Max. Flow rate(CFM) : 37.539 Max. Flow rate(m <sup>3</sup> /min) : 1.063 Max. Pressure(in-H <sub>2</sub> O) : 0.088 Max. Pressure(mm-H <sub>2</sub> O) : 2.228	Test Date : 2001/03/15 Order No. : 8125-15 Test No. : YS Method : Constant Voltage Tunnel Setup : Inlet Chamber Type Temperature( ) : 23 R.H.(%) : 48 Barometric Pressure(mmHg) : 762.8 Acoustic ( dB(A)/1M ):30.0dB(A) Mea. Distance(M): 1 Background Noise:10.0dB(A) Vibration Level (mm/sec <sup>2</sup> ): N / A Remark:
---	---

Curve	Pts	Flowrate		Static Pressure		Voltage	Current	Power	Speed
		CFM	m3/min	in-H <sub>2</sub> O	mm-H <sub>2</sub> O	V	A	W	rpm
1	1	37.539	1.0627	0.0000	0.000	12.00	0.143	1.72	2487
	2	28.111	0.7958	0.0297	0.754	12.00	0.140	1.68	2524
	3	18.769	0.5314	0.0376	0.955	12.00	0.135	1.62	2694
	4	9.372	0.2653	0.0630	1.600	12.00	0.141	1.70	2484
	5	0.000	0.0000	0.0877	2.228	12.00	0.145	1.74	2371

**Fan Performance Curve**



Approver:	劉智光	Examiner:	許志聰	Tester:	張馥怡
-----------	-----	-----------	-----	---------	-----