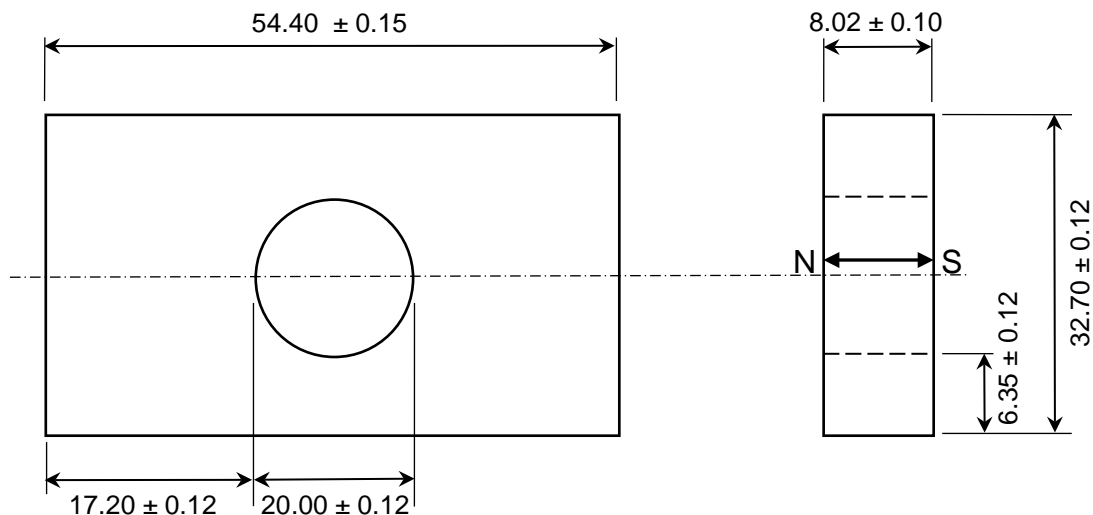
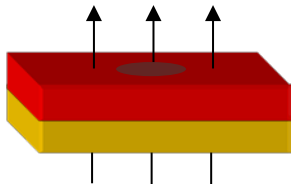


DIMENSIONS ARE IN MM

CONFIDENTIAL & PROPRIETARY INFORMATION
 This document contains Confidential and Proprietary Information of Alliance LLC, and all design, manufacturing, reproduction, use, and sale rights of such information are expressly reserved



MAGNET PROPERTIES PER C-5:

Br: 3,800-4,100 G
 Hc: 2,200-2,600 Oe
 Hci: ≥2,250 Oe
 BH_(max): 3.2-3.6 MGOe
 Magnetic loss: -0.18%Br/°C

Rev	Date	By

TOLERANCES
 (UNLESS OTHERWISE NOTED)

DECIMAL	METRIC
X.XX = ± .01	X.X = ± .25
X.XXX = ± .005	X.XX = ± .13

ANGLES
 ± .5°

DO NOT SCALE DRAWING

Alliance LLC		
1450 CLARK DRIVE, VALPARAISO, INDIANA 46385		
DESCRIPTION: FERRITE BLOCK MAGNET		
P/N: YB-050-1		B&S MAGNET
MATERIAL: Ferrite	Dwg by: BT	REV LEVEL: A
COATING: None	Apr by: DV	Apr. Dated: 02-10-2015