

MICRO SWITCH

A DIVISION OF MINNEAPOLIS-HONEYWELL REGULATOR COMPANY
MINNEAPOLIS, MINNESOTA

FED. MFR. CODE 91929

SWITCH - BASIC

CATALOG LISTING

YA-2RV-A2

ADP5000

YA-2RV-A2
ISSUE 2

CATALOG LISTING
YA-2RV-A2
PAGE 1 OF 1

M

DRAWING NUMBER

9

ISSUE

REPLACES

RELEASE NO.

CHECK

17 FEB 06

RJ

CHECK

DLT

27 AUG 98

F

0000770

CST

8 JUL 03

G

0018388

TGP

17 FEB 06

CHECK

DAW

15 DEC 61

CHECK

DAW

15 DEC 61

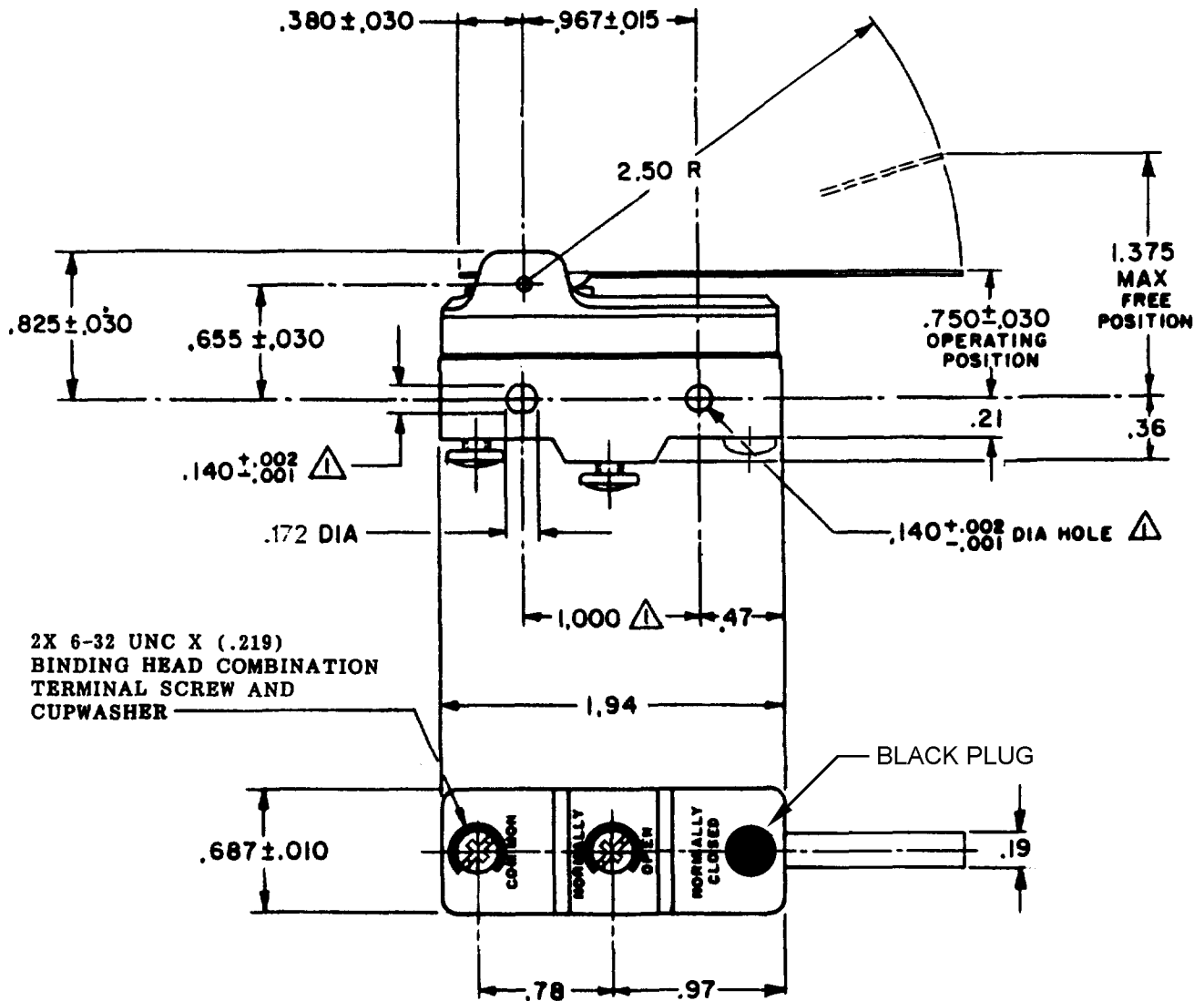
CHECK

DAW

15 DEC 61

CHECK

DAW



NOTE
▲ MOUNTING HOLES WILL ACCEPT PINS OR SCREWS OF .139 MAX DIA ON 1.000 ± .002 CENTERS

THIS DRAWING COVERS A PROPRIETARY ITEM AND IS THE PROPERTY OF MICRO SWITCH, A DIVISION OF MINNEAPOLIS-HONEYWELL REGULATOR CO. THIS DRAWING IS NOT TO BE COPIED OR USED WITHOUT THE APPROVAL OF MICRO SWITCH.

CHARACTERISTICS	ELECTRICAL DATA	SCALE --- FULL
OPERATING FORCE ----- 2 1/2 OZ MAX	CONTACT ARRANGEMENT S P NO	DO NOT SCALE PRINT
RELEASE FORCE ----- 1/2 OZ MIN	L23 20A - 125, 250 OR 480 VAC 10A - 125 VAC "L" 1HP - 125 VAC, 2HP - 250 VAC 1/2A - 125 VDC, 1/4A - 250 VDC CE L288 L308 L315 20(3)A 250V ~ T85 5E4	UNLESS OTHERWISE SPECIFIED
PRETRAVEL ----- .625 MAX		DIMENSIONS ARE IN INCHES TOLERANCES ARE: ONE PLACE (.0) ±.030 TWO PLACE (.00) ±.015 THREE PLACE (.000) ±.005 ANGLES ±
DIFFERENTIAL TRAVEL ----- .109 MAX		WEIGHT
OVERTRAVEL ----- .078 MIN		

RASTER

J-50376

DRAWN

15 DEC 61