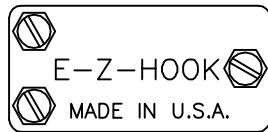
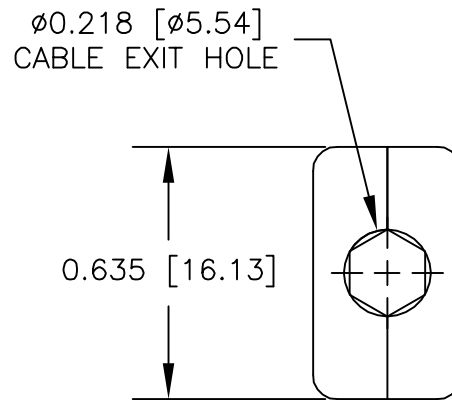
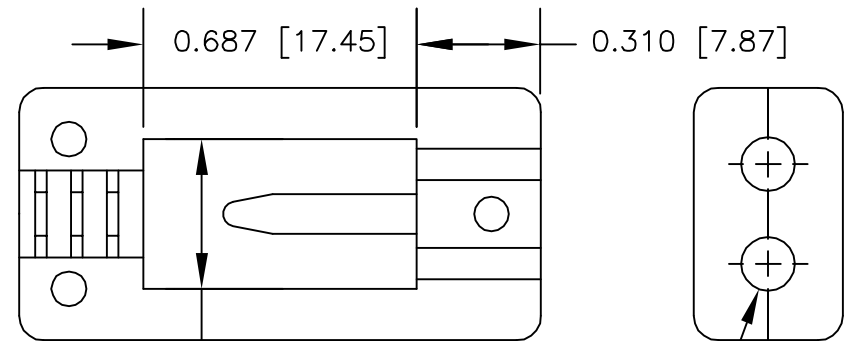
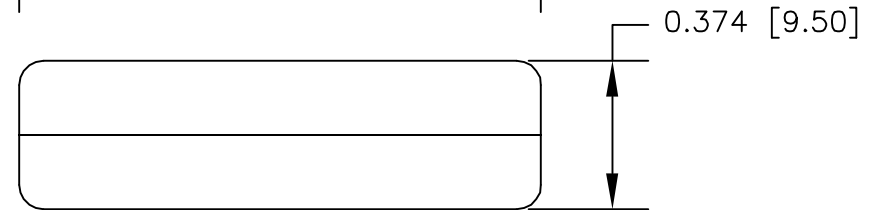
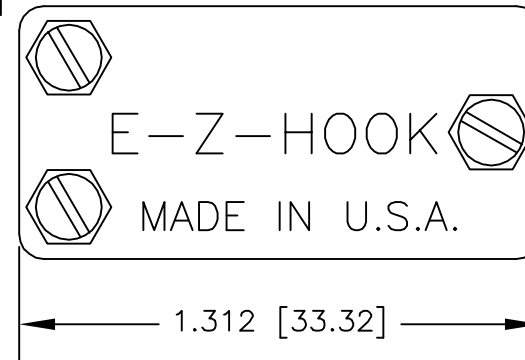


NOTES: UNLESS OTHERWISE SPECIFIED

- CONSTRUCTION:
HOUSING: MOLDED NYLON. AVAILABLE IN BLACK.
- PERFORMANCE:
MAXIMUM CURRENT: XX
MAXIMUM VOLTAGE: XX
MAXIMUM TEMPERATURE: XX
- FEATURES:
BUILT IN STRAIN RELIEF.

		REVISIONS	DATE	APPROVED
LTR		DESCRIPTION		



ACTUAL SIZE

UNLESS OTHERWISE SPECIFIED
DIMENSIONS ARE IN INCHES
TOLERANCES ARE:
FRACTIONS DECIMALS ANGLES
± .XX ± ±
.XXX ±

CONTRACT NO.

APPROVALS DATE
DRAWN R.L. 10/10

APPROVED BY

E-Z-HOOK DIVISION OF TEKTEST INC.
ARCADIA, CA 91006 U.S.A.

DESCRIPTION
IN-LINE Y BLOCK FOR
STANDARD SIZE CABLES

SIZE	CODE IDENT NO.	DRAWING NO.	REV.
A	08505	Y1000-2	

APPLICATION

DO NOT SCALE DRAWING

SCALE

2:1

SHEET 1 OF 1