





48 x 48 mm

Features :

- ▶ Dual Display, 4 digits, 7 segment LED
- ▶ LED Indication : Relay1, Relay2, Seconds, Minutes, Hours
- ▶ 2 Set points
- ▶ Programmable input scaling
- ▶ Down counting for timer, Up / Down counting for counter
- ▶ Batch counting

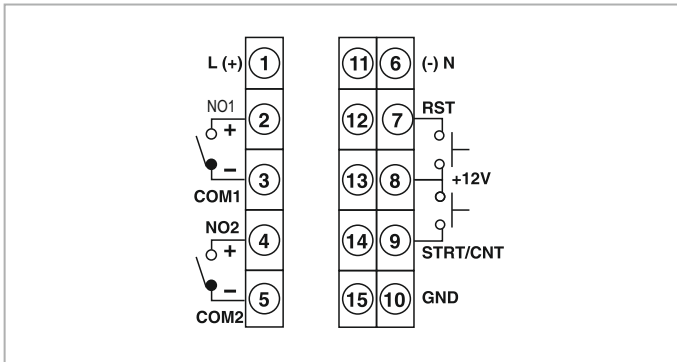
Certifications :  

Technical specifications

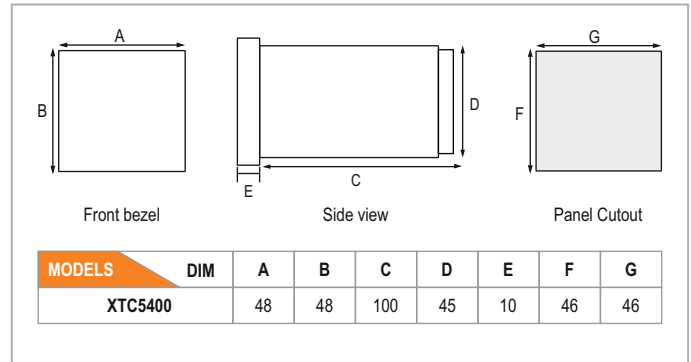
Display specifications	
Digits	4 digits, 7 segment LED
LED indication	Relay1, Relay2, Seconds, Minutes, Hours
Input specifications	
Sensor type	NPN / PNP
Input type	Voltage pulse (3 to 30V DC) from Proximity switches, Solid state devices, Potential free contact encoder
Input speed	a) 3Hz b) 30Hz c) 5kHz
Accuracy	Timer : $\pm 0.05\%$ of setting or 50 ms whichever is greater Counter : ± 2 counts
Output specifications	
Sensor supply	Inbuilt, 12V DC, 30mA (short circuit protected)
Relay contact	2 C/O SPST
Contact rating	5A @ 230V AC
Functional specifications	
Modes	ON delay / Interval / Auto reset / Time pulse repeat Cyclic OFF first, Batch Counter : ON delay, Interval, Auto reset, Time pulse repeat, Batch
Ranges	Timer : 0 - 99.99 / 0 - 999.9 / 0 - 9999sec 0 - 99.59min : sec, 0 - 999.9 / 0 - 9999min 0 - 99.59hr : min, 0 - 999.9 / 0 - 9999hr Counter : - 999 to 9999 counts
Resolution	0.01sec
Counting direction	Timer : Down; Counter : Up / down
Set point	2
Scale factor	0.001 to 9.999 x 10 n = -3, -2, -1, 0, 1, 2
Reset	Front, Remote, Power interruption
Memory retention	Yes
Configuration lock	Password protected
Auxiliary supply specifications	
Supply voltage	90 to 270V AC / DC (50 / 60Hz) -15% to 10% tolerance
Power consumption	5VA Max.

Environment specifications	
Temperature	Operating : 0 to 50C (32 to 122F) Storage : -20 to 75C (-4 to 167F)
Humidity (non - condensing)	95% RH
Mechanical specifications	
Mounting	Panel mount
Weight	170gms

Terminal connections



Dimensions



Compliance

Applicable EMI / EMC Standards		
Product Standard : IEC 61326-1		
Category		Standards Compliance
ESD Immunity	IEC 61000-4-2	Level III
Surge Immunity	IEC 61000-4-5	+/- 2 kV common mode, +/- 1 kV differential mode
Radiated Susceptibility	IEC 61000-4-3	Level III, 80 to 1000MHz Level II, 1.4GHz to 2GHz Level I, 2GHz to 2.7GHz
Conducted Susceptibility	IEC 61000-4-6	Level II

Applicable EMI / EMC Standards		
Product Standard : IEC 61326-1		
Category		Standards Compliance
Voltage Dips and Interruptions	IEC 61000-4-11	Dips : 0% residual voltage / 1 cycle (Criteria B), 40% residual voltage / 10 cycles 50Hz / 12 cycles 60Hz (Criteria C) 70% residual voltage / 25 cycles 50Hz / 30 cycles 60Hz (Criteria C) Interruptions : 0% residual voltage / 250 cycles 50Hz / 300 cycles 60Hz (Criteria C)
Conducted Emission	CISPR-11	Class A (150KHz to 30MHz)
Radiated Emission	CISPR-11	Class A (30MHz to 1GHz)
Electrical Fast Transient	IEC 61000-4-4	Level III

Ordering information

Product code	Supply voltage	Certification
XTC5400-CU	90 to 270V AC / DC	CE US