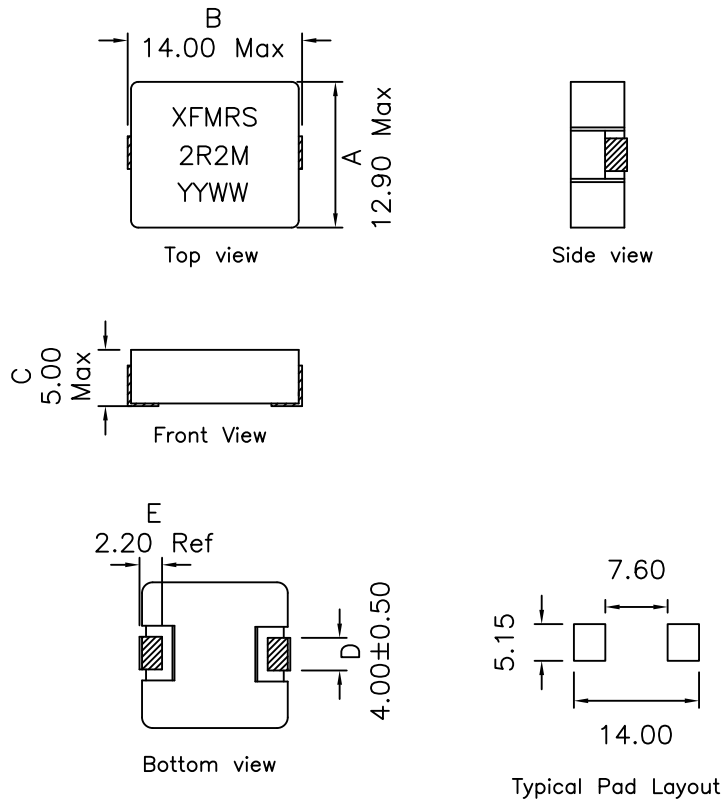
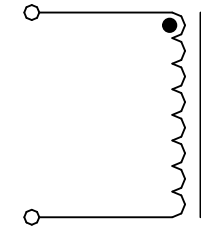


1. Mechanical Dimensions:



2. Schematic:



3. Electrical Specifications: @25°C

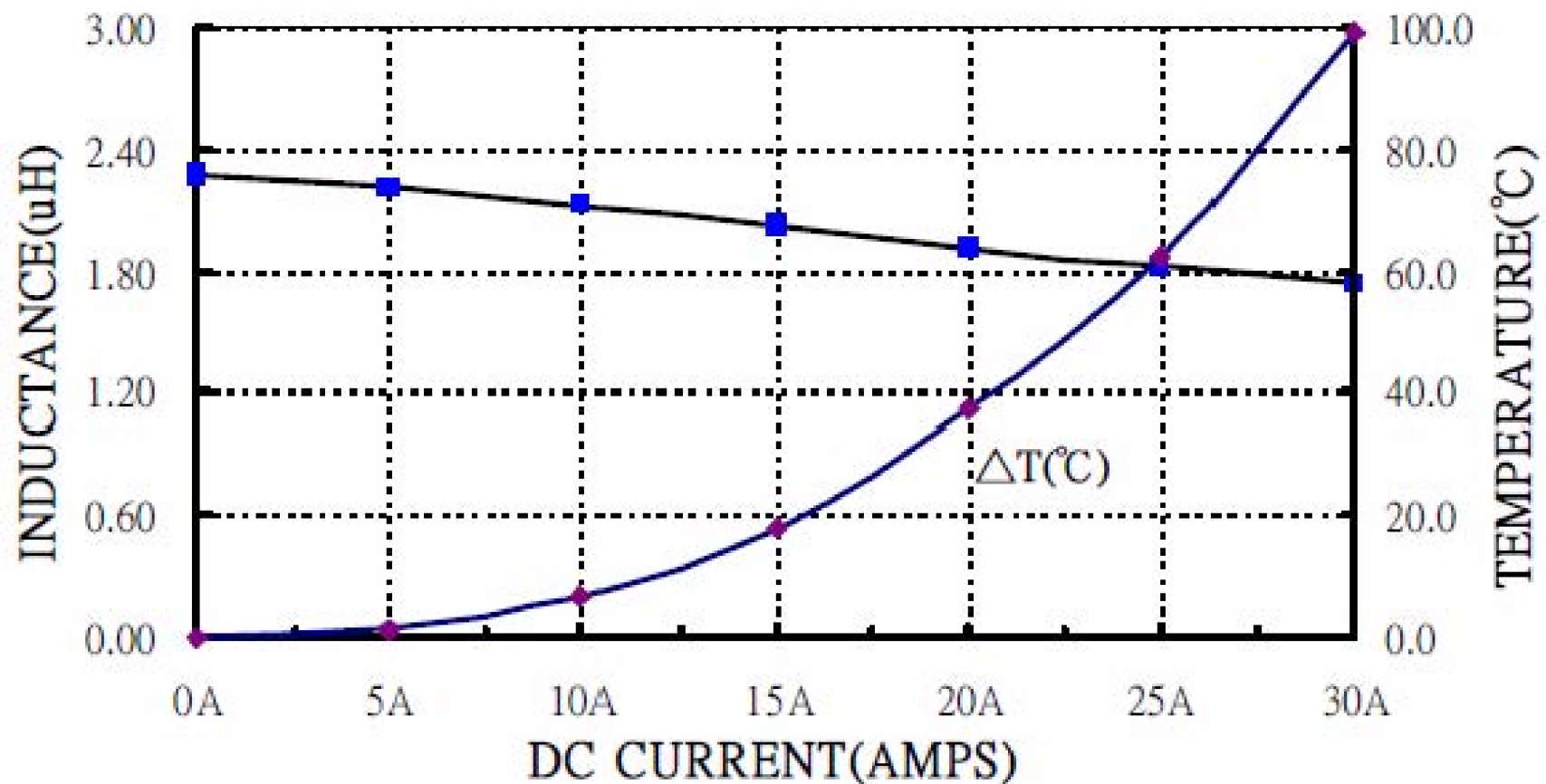
OCL: 2.2uH±20% @100KHz, 0.25V
 Q: 15 Min @100KHz, 0.25V
 DCR: 5.5 mOhms Max, 4.6 mOhms Typ
 Irms: 20A (Based on 40°C Typ Temp Rise)
 Isat: 32.0A (Based on 20% Typ drop in OCL)
 SRF: 26MHz Typ

Notes:

1. Solderability: Leads shall meet MIL-STD-202G, Method 208H for solderability.
2. Flammability: UL94V-0
3. ASTM oxygen index: > 28%
4. Insulation System: Class F 155°C. UL file E151556
5. Operating Temperature Range: -55°C to +125°C
6. Storage Temperature Range: -55°C to +125°C
7. Aqueous wash compatible
8. SMD Lead Coplanarity: 0.004"(0.102mm)
9. Electrical and mechanical specifications 100% tested
10. RoHS Compliant Component
11. Recommended IR Reflow peak temp of 260°C Max.
12. Outsourced item processed & controlled under XFMRS QA system

DOC. REV: A/11

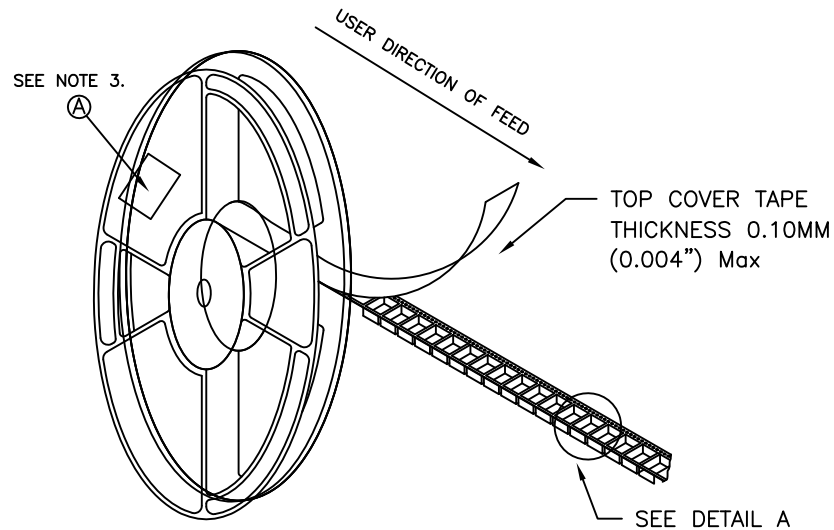
XFMRS® www.XFMRS.com		Title: XFHCL4 SERIES INDUCTORS	
UNLESS OTHERWISE SPECIFIED TOLERANCES: .xx ±0.25 Dimensions in MM	P/N: XFHCL4-2R2M		REV. A
	DWN.	Huo	May-21-19
	CHK.	YK Liao	May-21-19
	APP.	DDC	May-21-19
SHEET 1 OF 2			



DOC. REV: A/11

XFMR5 [®] www.XFMRS.com		Title: XFHCL4 SERIES INDUCTORS	
UNLESS OTHERWISE SPECIFIED TOLERANCES: .xx ±0.25 Dimensions in MM		P/N: XFHCL4-2R2M	REV. A
		DWN.	Huo May-21-19
		CHK.	YK Liao May-21-19
SHEET 2 OF 2		APP.	DDC May-21-19

TAPE AND REEL SPECIFICATION:



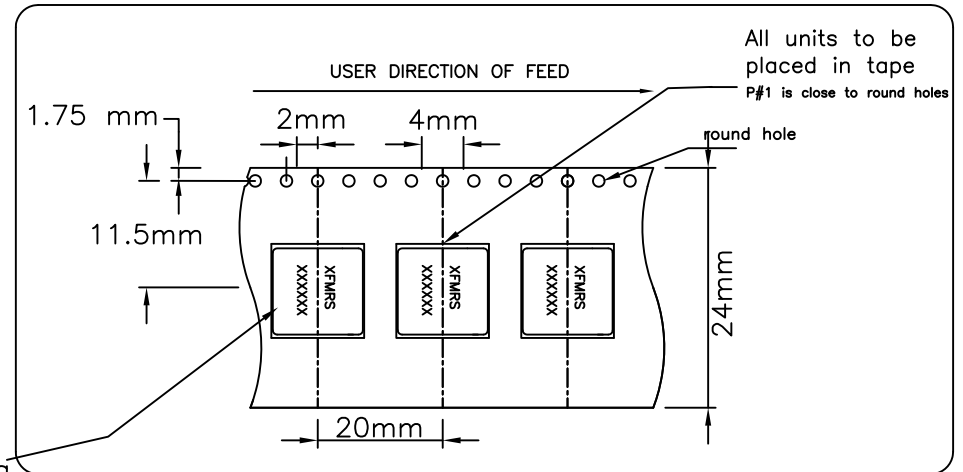
REEL AND TAPE ORIENTATION

13" REEL DIAMETER

NOTES:

- 1) PROCESS IN ACCORDANCE WITH EIA-481-2 STANDARDS
 - * TAPE LEADER DIMENSION 15.30" MIN.
 - * TAPE TRAILER DIMENSION 6.30" MIN.
- 2) PARTS SHOULD BE PACKAGED IN ACCORDANCE WITH ESD GUIDELINES IN EIA-541.
- 3) REEL LABEL: 'A' * PART NUMBER
 - * QUANTITY
 - * DATE CODE
- 4) 250pcs PER 13"REEL

DETAIL A



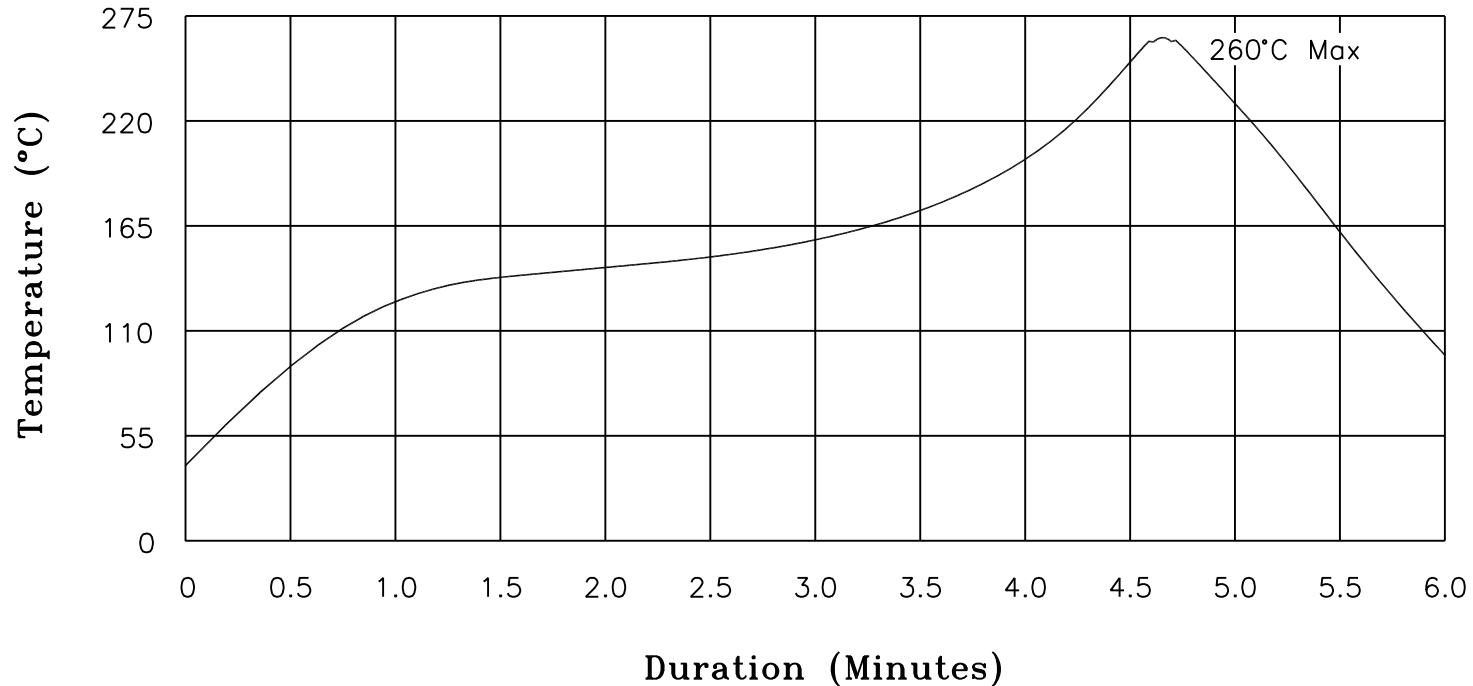
Details Marking
Refer to the
FG drawing

DOC REV: A/1

XFMR5 Inc www.XFMR5.com	Title: T&R SPEC		
	UNLESS OTHERWISE SPECIFIED		P/N: XFHCL4 Series
TOLERANCES: .xxs ±0.15	DWN.	Kong	REV: A
Dimensions in mm	CHK.	YK Liao	Oct-02-17
SHT 1 OF 1	APP.	BW	Oct-02-17

XFMRs

Recommended Infrared Reflow Temperature Profile for RoHS Compliant Parts



NOTES: Maximum duration at 260°+0/-5° shall be 10-20 seconds.
 Maximum duration above 217° shall be 60-150 seconds.
 ALL Temperatures refer to topside of the package, measured on the package body surface.

XFMRs Inc www.XFMRs.com	Title: IR REFLOW CHART (RoHS Compliant parts)			
	UNLESS OTHERWISE SPECIFIED TOLERANCES: N/A	P/N: N/A	REV. A	
	DWN.	Juan Mao	Jan-16-05	
	CHK.	YK Liao	Jan-16-05	
SHEET 1 OF 1	APP.	MS	Jan-16-05	

PROPRIETARY Document is the property of XFMRs Group & is not allowed to be duplicated without authorization.