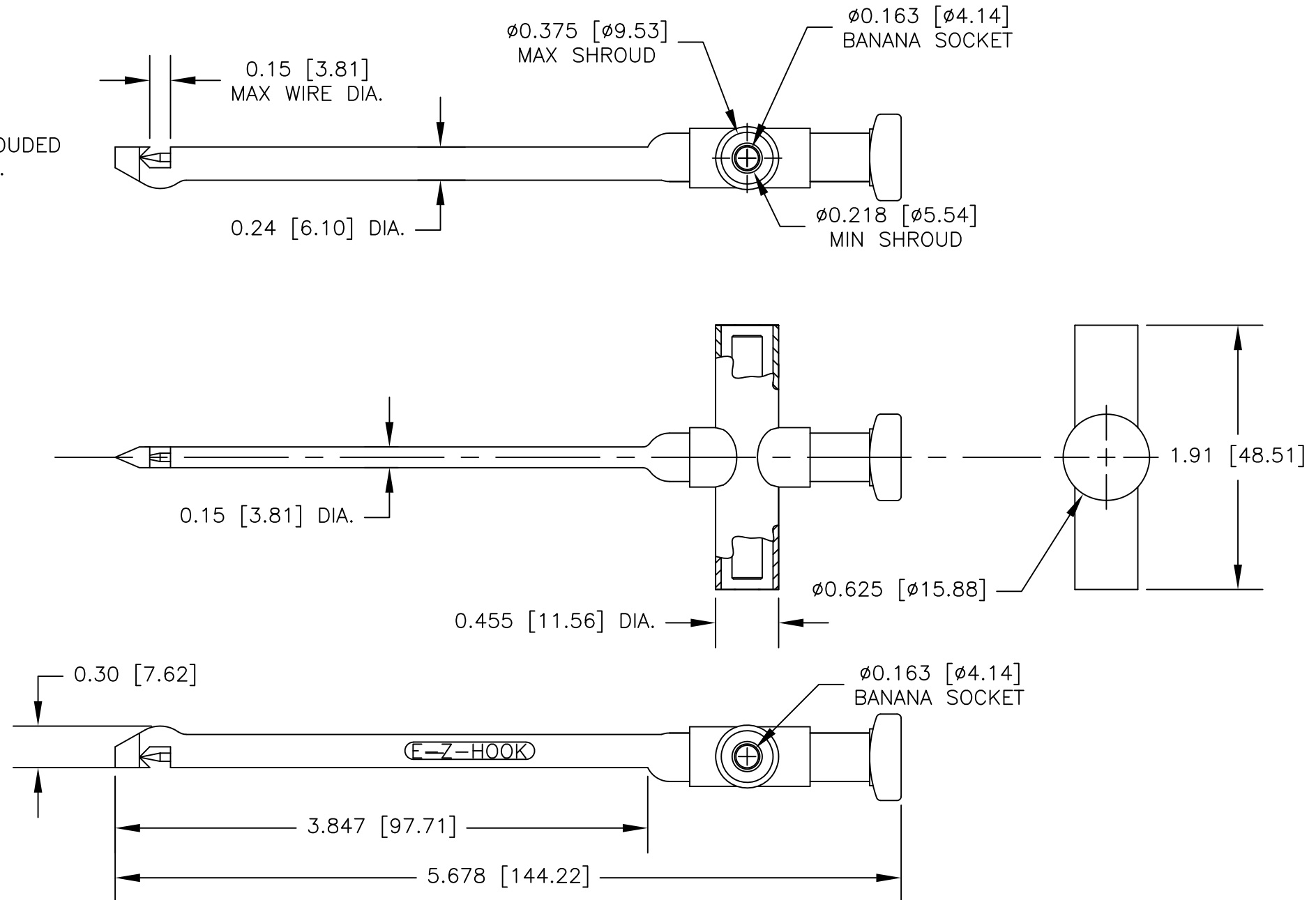


NOTES: UNLESS OTHERWISE SPECIFIED

1. CONSTRUCTION:
 HOUSING & PLUNGER & SLIDE: MOLDED NYLON. AVAILABLE IN TEN COLORS.
 CONTACT NEEDLE & SPRING: STAINLESS STEEL.
 BANANA SOCKET: BRASS.
2. PERFORMANCE:
 MAXIMUM CURRENT: 500 mA
 MAXIMUM VOLTAGE: 300 V
 MAXIMUM TEMPERATURE: 200°F (93°C)

2. FEATURES:
 NEEDLE PIERCES WIRE $\phi 0.050$ [$\phi 1.27$] TO $\phi 0.15$ [$\phi 3.81$].
 DOUBLE BANANA SOCKET ACCEPTS SHROUDED AND UNSHROUDED
 STANDARD BANANA PLUGS ON BOTH ENDS OF THE HANDLE.

| LTR | REVISIONS | | DATE | APPROVED |
|-----|---|--|---------|----------|
| | DESCRIPTION | | | |
| A | BANANA SOCKET WAS P/N 0755 IS P/N 01044 | | 6/15/10 | S.B.W. |



| | | | | | |
|-------------|---------|---|-----------------|------|--|
| | | UNLESS OTHERWISE SPECIFIED DIMENSIONS ARE IN INCHES TOLERANCES ARE: FRACTIONS DECIMALS ANGLES ± .XX ± ± .XXX ± | CONTRACT NO. | | E-Z-HOOK DIVISION OF TEKTEST INC. ARCADIA, CA 91006 U.S.A. |
| | | | APPROVALS | DATE | |
| | | MATERIAL SEE NOTE. | DRAWN S.B.W. | 3/98 | DESCRIPTION E-Z-MACRO HOOK INSULATION-PIERCING |
| | | FINISH SEE NOTE. | APPROVED BY | | |
| NEXT ASSY | USED ON | | | | SIZE B |
| APPLICATION | | DO NOT SCALE DRAWING | | | CODE IDENT NO. 08505 |
| | | | | | DRAWING NO. XEL |
| | | | | | REV. A |
| | | | | | SCALE 1:1 |
| | | | | | SHEET 1 OF 1 |