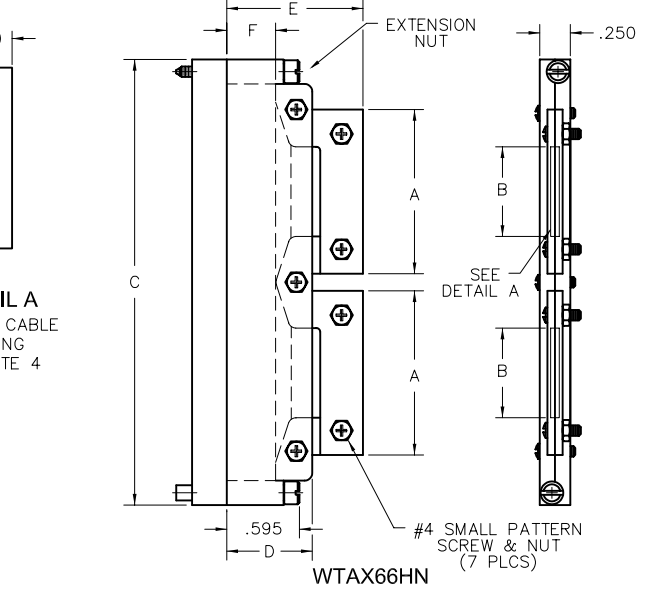
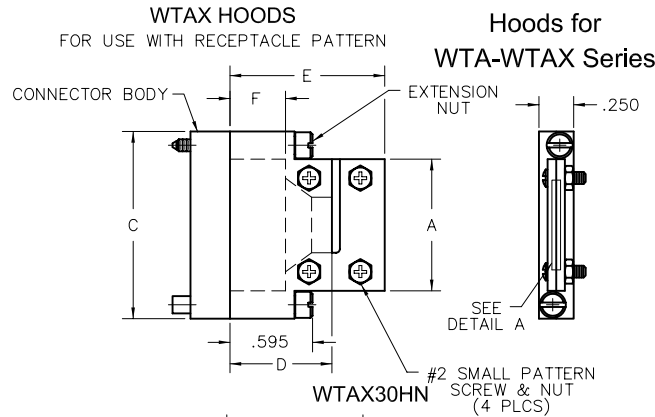
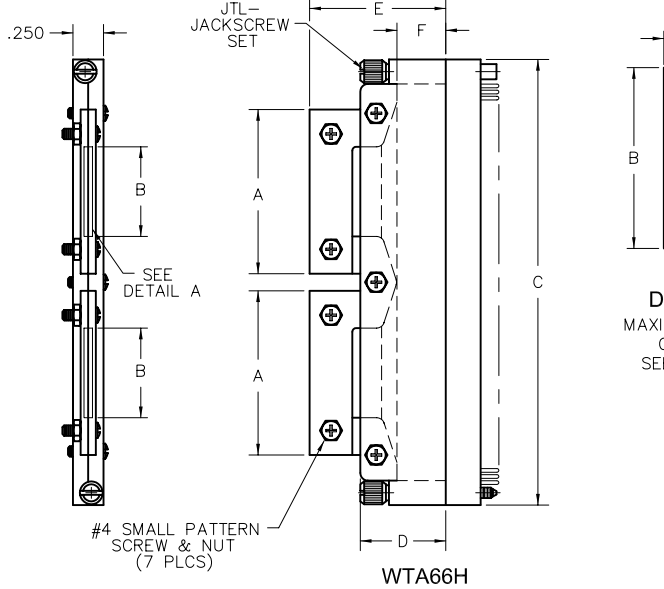
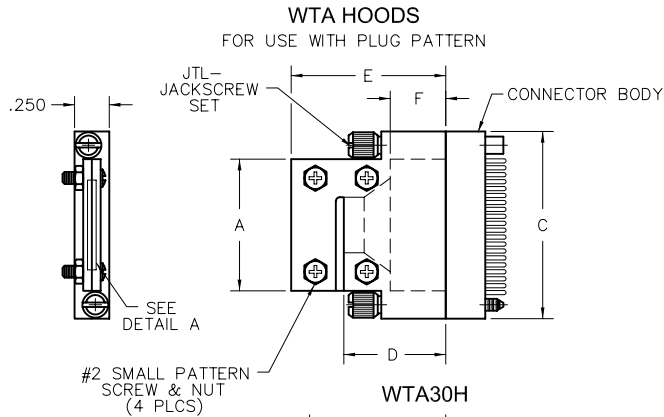


Accessories



DETAIL A
MAXIMUM CABLE
OPENING
SEE NOTE 4

WTA HOODS, PLUG IMAGE						WTAX HOODS, RECEPTACLE IMAGE						PART NO. DESIGNATION					
PART NO.	A	B $\pm .015$ $-.025$	C	D	E	F	PART NO.	A	B $\pm .015$ $-.025$	C	D	E	F	SERIES	SIZE	HOOD DESIGNATION	FOR HARDWARE TYPE
WTA20H	.950	.400	1.350				WTAX20H	1.450	.800	1.850				WTA	20 THRU 70	H	JTL - LONG TURNING JACKSCREW SET
WTA30H	1.450	.800	1.850			WTAX30H	1.450	.800	1.850								
WTA36H	1.300	.750	2.150			WTAX36H	1.300	.750	2.150								
WTA40H	1.500	.950	2.350			WTAX40H	1.500	.950	2.350								
WTA44H	1.700	1.150	2.550			WTAX44H	1.700	1.150	2.550				WTAX	30 THRU 70	HN	J - FIXED JACKSCREW SET SY - GUIDE SET	
WTA50H	2.000	1.450	2.850	.700	1.115	.400	WTAX50H	2.000	1.450	2.850	.700	1.115					.400
WTA54H	2.200	1.650	3.050			WTAX54H	1.950	1.400	3.050								
WTA56H	2.060	1.500	3.150			WTAX56H	2.060	1.500	3.150								
WTA60H	1.240	.700	3.350			WTAX60H	1.240	.700	3.350								
WTA66H	1.350	.735	3.650			WTAX66H	1.345	.735	3.650								
WTA70H	1.445	.885	3.850			WTAX70H	1.445	.885	3.850								

NOTES:

- DIMENSIONS ARE SYMMETRICAL ABOUT CENTER LINE.
- HOODS ARE SUPPLIED UNASSEMBLED.
- HOOD MATERIAL: POLYETHYLENE, HIGH DENSITY
CLAMPING SCREWS AND NUTS: STAINLESS STEEL
- THE TOP CLAMPS ARE FLEXIBLE TO ACCOMMODATE MAXIMUM CABLE BUNDLE.
- CHECK WITH SALES DEPARTMENT FOR SIZES NOT LISTED.
- SCREWS SUPPLIED ARE CROSS-RECESS ONLY.
- TOLERANCES: $\pm .015$
- SIZES 20-30 USE #2 SMALL PATTERN SCREW & NUT.
SIZES 36-70 USE #4 SMALL PATTERN SCREW & NUT.
- HOODS CANNOT BE USED ON CONNECTORS SPECIFYING THE -C45 OPTION CODE.

EXAMPLES:

- WTA**H = DESIGNATES HOOD USED WITH JTL HARDWARE
- WTA**HN = DESIGNATES HOOD USED WITH J OR SY HARDWARE (INCLUDES EXTENSION NUTS).
- WTAHN = DESIGNATES EXTENSION NUTS ONLY.

** = DESIGNATES CONNECTOR SIZE. SEE PAGE WA-7 FOR ADDITIONAL INFORMATION ON EXTENSION NUTS.