

WSA57M-



SWITCH FUNCTION CODE	SWITCH FUNCTION DESCRIPTION
2	MECHANICAL, MAINTAIN, SOLDER TERMINAL
B	MECHANICAL, MAINTAIN, NO/NO WIRELEADS
D	MECHANICAL, MAINTAIN, NC/NC WIRELEADS
F	MECHANICAL, MAINTAIN, NO/NC WIRELEADS

HOUSING MATERIAL CODE	HOUSING DESCRIPTION
1	ZINC ALLOY, VELOUR CHROME PLATED
3	ZINC ALLOY, MATT BLACK
4	STAINLESS STEEL, NATURAL

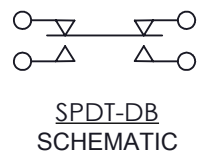
HOUSING ADAPTATION	BUTTON TYPE CODE	BUTTON TYPE DESCRIPTION
ZINC ALLOY & STAINLESS STEEL HOUSING	0	NON-ILLUMINATION
ZINC ALLOY HOUSING ONLY	1	CENTER SPOT ILLUMINATION
ZINC ALLOY & STAINLESS STEEL HOUSING	2	RING ILLUMINATION
ZINC ALLOY & STAINLESS STEEL HOUSING	3	POWER/STANDBY SYMBOL ILLUMINATION
STAINLESS STEEL HOUSING	4	HIGH BUTTON NON-ILLUMINATION

LED COLOR CODE	LED COLOR
N	NONE
R	RED
B	BLUE
G	GREEN
Y	YELLOW
W	WHITE

LED INLET VOLTAGE CODE		LED INLET VOLTAGE
NON-WIRELEADS	IF BLANK*	FOLLOW LED SPECIFICATION
WIRELEADS	IF BLANK*	FOLLOW LED SPECIFICATION
	05	5V
	12	12V
	24	24V

ANY CODE	DESCRIPTION
IF BLANK*	NA
XXX	PER CUSTOMER SPECIAL REQUEST

MECHANICAL CHARACTERISTICS:
 SWITCH CIRCUITRY: SPDT-DB
 SWITCH ACTION: MAINTAINED (PER CHART)
 PRE-TRAVEL: 1.27 mm NOMINAL
 OVER-TRAVEL: 0.254 mm NOMINAL
 TOTAL TRAVEL: 1.524 mm NOMINAL
 OPERATING FORCE: 525 g [5.15N] NOMINAL
 RELEASE FORCE: 340 g NOMINAL
 PANEL THICKNESS: 0.5-6.0mm



CONTACTS: SILVER
 NUT TORQUE FORCE: MAX 11.5 kgf*cm [10 LB*in]

ELECTRICAL LIFE:
 MAINTAINED: 5A@28VDC 25KCYCLES NOMINAL.

ENVIRONMENTAL SPECIFICATIONS:
 OPERATING TEMPERATURE: -40 °C to +85 °C [-40 °F to +185 °F]
 IP67 COMPLIANT

ELECTRICAL SPECIFICATIONS:
 DIELECTRIC STRENGTH: 1,000VAC
 INSULATION RESISTANCE: 1G OHM
 CONTACT RESISTANCE:
 50m /250m OHMS MAX INITIAL(NON-WIRELEAD / WIRELEADS)

LED SPECIFICATIONS:
 SEE LED SPECIFICATION

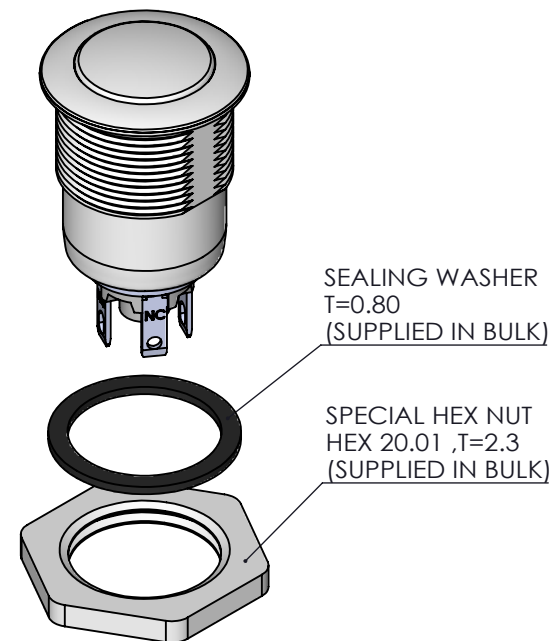
CERTIFICATION: UL 61058

* NOTE:
 1. SUPPLY HEX NUT AND SEALING WASHER BULK IN PACKED

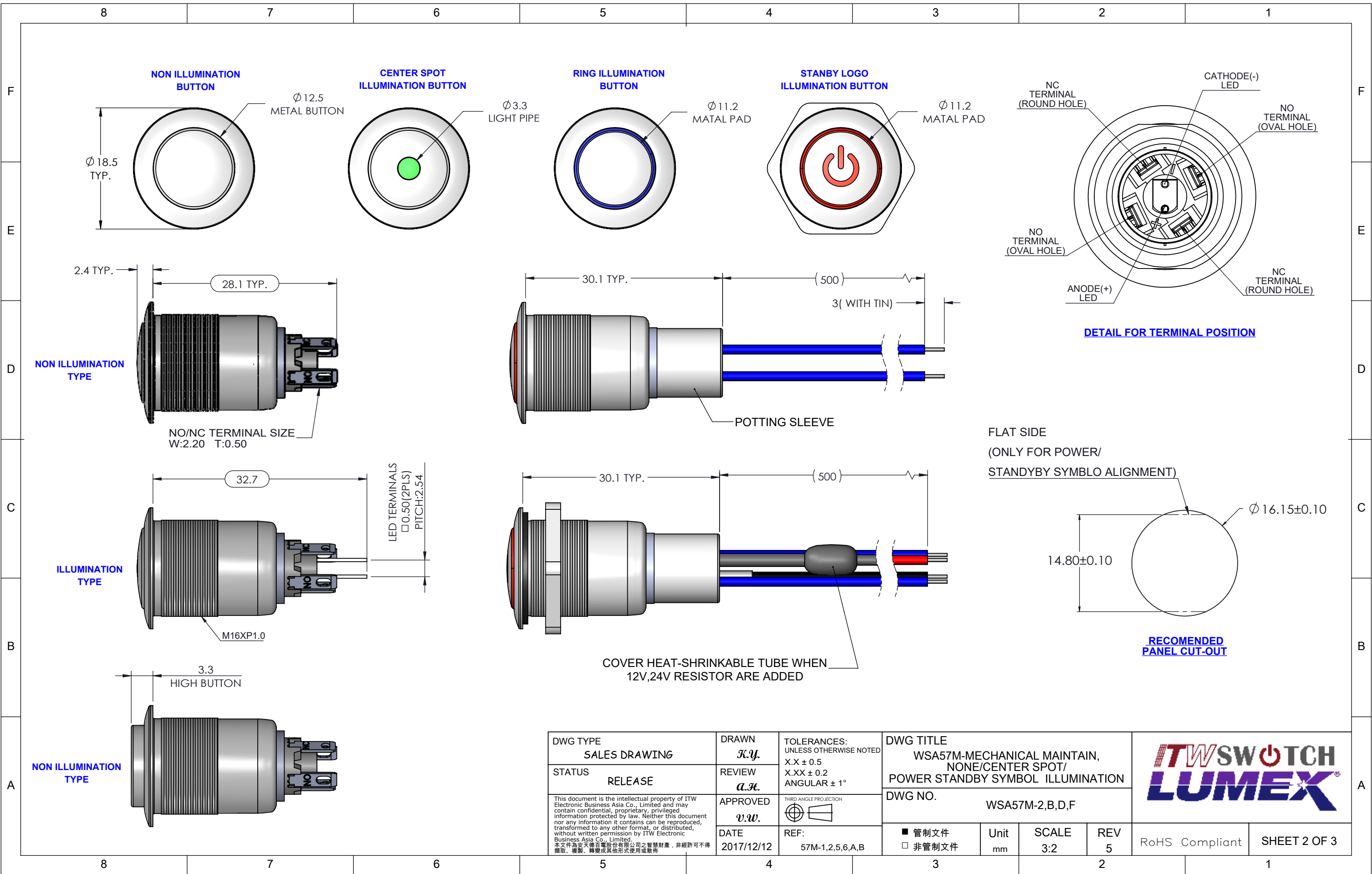
LED SPECIFICATION				
LED CODE	LED Color	CIRCUITRY	Vf(VDC) Color	If (mA)
R	RED		1.8 ~ 2.5	20
B	BLUE		2.8 ~ 3.5	20
G	GREEN		2.8 ~ 3.5	20
Y	YELLOW		1.8 ~ 2.5	20
W	WHITE		2.8 ~ 3.5	20

Notes:
 Hand Soldering Temperature (4mm above from Body) : 320°C for 3 seconds

WIRELEADS SPECIFICATION					
WIRELEADS TYPE	WIRELEADS SPECIFICATION	SW TERMINAL	SW TERMINAL	LED COLOR	
		NO	NC	+	-
ILLUMINATION	AWG24 / UL1007	BLUE	YELLOW	RED	BLACK
NON-ILLUMINATION		BLUE	YELLOW	-	-



DWG TYPE SALES DRAWING	DRAWN <i>K.Y.</i>	TOLERANCES: UNLESS OTHERWISE NOTED X.X ± 0.5 X.XX ± 0.2 ANGULAR ± 1°	DWG TITLE WSA57M-MECHANICAL MAINTAIN, NONE/CENTER SPOT/ POWER STANDBY SYMBOL ILLUMINATION							
STATUS RELEASE	REVIEW <i>A.H.</i>	THIRD ANGLE PROJECTION 	DWG NO. WSA57M-2,B,D,F							
<small>This document is the intellectual property of ITW Electronic Business Asia Co., Limited and may contain confidential, proprietary, privileged information protected by law. Neither this document nor any information it contains can be reproduced, transformed to any other format, or distributed, without written permission by ITW Electronic Business Asia Co., Limited. 本文件為安達維百電股份有限公司之智慧財產，非經許可不得翻取、複製、轉變成其他形式使用或散佈</small>			DATE 2017/12/12	REF: 57M-1,2,5,6,A,B	<input checked="" type="checkbox"/> 管制文件 <input type="checkbox"/> 非管制文件	Unit mm	SCALE 3:2	REV 5	RoHS Compliant	SHEET 1 OF 3



NON ILLUMINATION TYPE

NO/NC TERMINAL SIZE
W:2.20 T:0.50

ILLUMINATION TYPE

M16XP1.0

NON ILLUMINATION TYPE

3.3 HIGH BUTTON

POTTING SLEEVE

COVER HEAT-SHRINKABLE TUBE WHEN 12V,24V RESISTOR ARE ADDED

DETAIL FOR TERMINAL POSITION

FLAT SIDE
(ONLY FOR POWER/
STANDBY SYMBOL ALIGNMENT)

RECOMENDED PANEL CUT-OUT

DWG TYPE SALES DRAWING	DRAWN <i>K.Y.</i>	TOLERANCES: UNLESS OTHERWISE NOTED X.X ± 0.5 X.XX ± 0.2 ANGULAR ± 1°	DWG TITLE WSA57M-MECHANICAL MAINTAIN, NONE/CENTER SPOT/ POWER STANDBY SYMBOL ILLUMINATION							
STATUS RELEASE	REVIEW <i>A.H.</i>	THIRD ANGLE PROJECTION 	DWG NO. WSA57M-2,B,D,F							
<small>This document is the intellectual property of ITW Electronic Business Asia Co., Limited and may contain confidential, proprietary, privileged information protected by law. Neither this document nor any information it contains can be reproduced, transformed to any other format, or distributed, without written permission by ITW Electronic Business Asia Co., Limited. 本文作為英商亞細亞電子有限公司之智慧財產，非經許可不得翻取、複製、轉變成其他形式使用或散佈。</small>			DATE 2017/12/12	REF: 57M-1,2,5,6,A,B	<input checked="" type="checkbox"/> 管制文件 <input type="checkbox"/> 非管制文件	Unit mm	SCALE 3:2	REV 5	RoHS Compliant	SHEET 2 OF 3