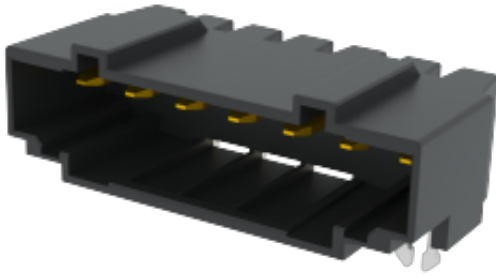


WJ9RC-5.0
PLUG-IN TERMINAL BLOCK



PCB connector
 Rated current: 16 A
 Rated voltage: 300 V
 Pitch: 5.0 mm
 Mounting: Wave soldering



UL/CUL

Use Group	B	C	D
Rate Voltage [V]	300	/	300
Rated Current [A]	16	/	10
Wire Range [AWG]		/	
Dielectric Voltage-Withstand		1.6KV	

IEC

Overvoltage Category	III	III	II
Contamination Class	3	2	2
Rated Voltage [V]	160	160	320
Rated Current [A]	20	20	20
Impulse withstand voltage [KV]	4	4	4
Conductor cross section[solid/flexible] [mm ²]		/	

Material

Insulation Material	PA66
---------------------	------

WJ9RC-5.0
PLUG-IN TERMINAL BLOCK

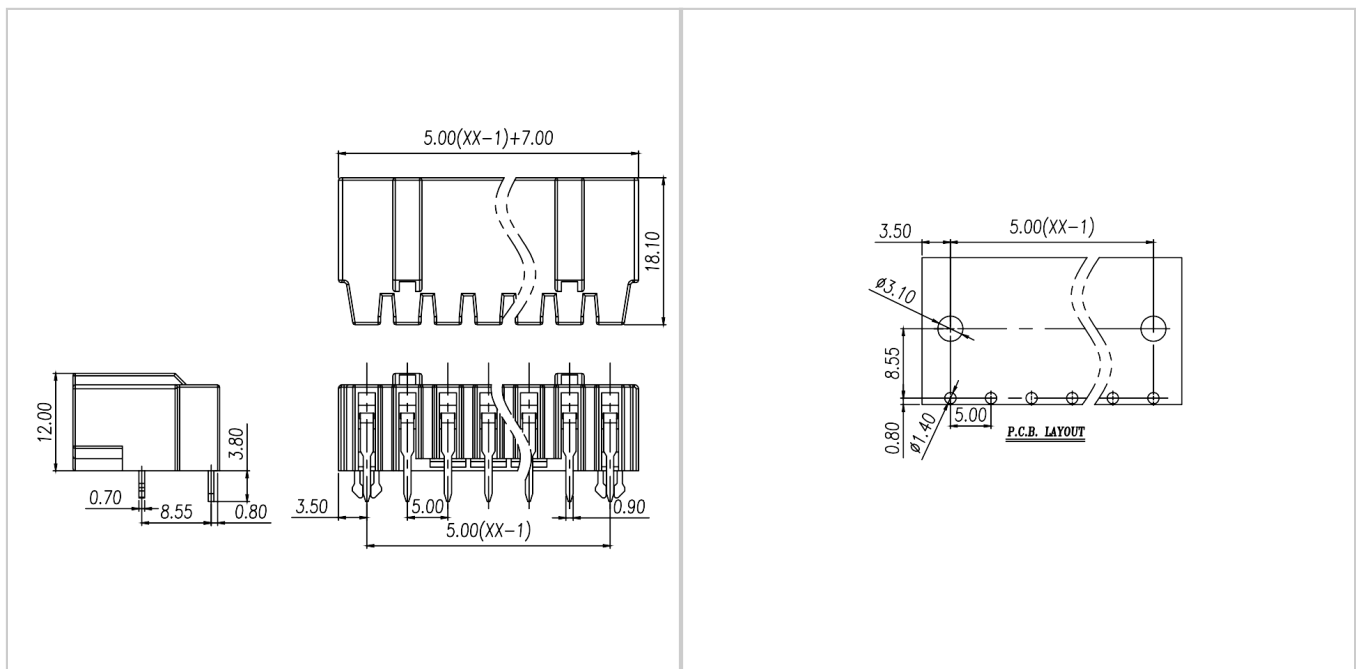
Flame retardant rating	UL94V-0
Conductor Material	Copper alloy
Plating of conductor surface	Au plated area

Other Data

Pitch/Poles [mm]/[P]	5.0/2-14
Stripping Length [mm]	/
Screw/Torque(Max)[N.m]	
Operating temperature [°C]	-40~+105
Soldering temperature	260°C
Pin dimensions [mm]	0.7*0.9
PCB Hole Diameter [mm]	Ø1.4

Dimensions

PCB opening diagram



Accessories