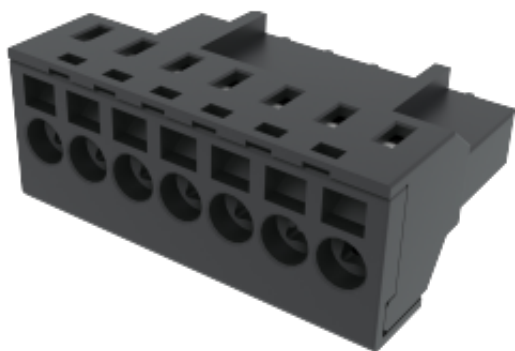


WJ9KS-5.0  
PLUG-IN TERMINAL BLOCK



PCB connector  
Rated current: 16 A  
Rated voltage: 300 V  
Pitch: 5.0 mm



UL/CUL

Use Group	B	C	D
Rate Voltage [V]	300	/	300
Rated Current [A]	16	/	10
Wire Range [AWG]	28-12		
Dielectric Voltage-Withstand	1.6KV		

IEC

Overvoltage Category	III	III	II
Contamination Class	3	2	2
Rated Voltage [V]	160	160	320
Rated Current [A]	20	20	20
Impulse withstand voltage [KV]	4	4	4
Conductor cross section[solid/flexible] [mm <sup>2</sup> ]	0.2-2.5		

Material

Insulation Material	PA66
Flame retardant rating	UL94V-0

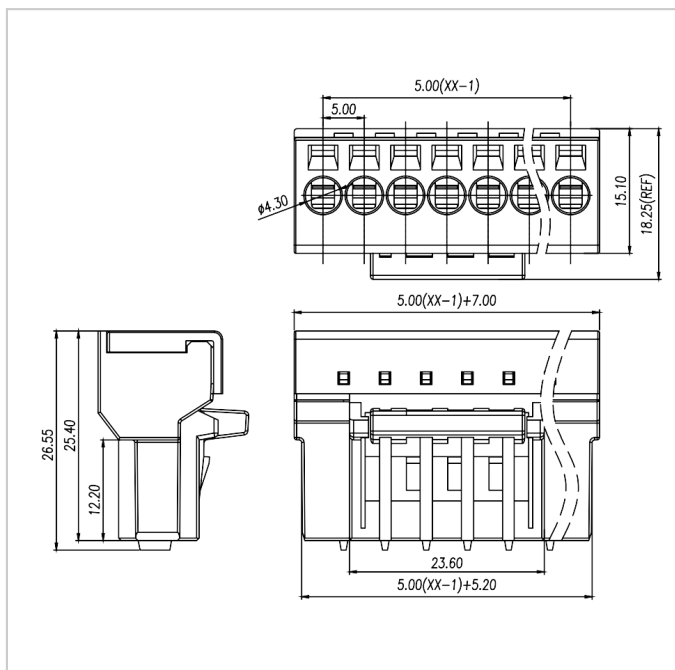
**WJ9KS-5.0**  
**PLUG-IN TERMINAL BLOCK**

Conductor Material	Copper alloy
Plating of conductor surface	Au plated area

**Other Data**

Pitch/Poles [mm]/[P]	5.0/2-14
Stripping Length [mm]	7-8
Screw/Torque(Max)[N.m]	/
Operating temperature [°C]	
Soldering temperature	/
Pin dimensions [mm]	/
PCB Hole Diameter [mm]	/

**Dimensions**



**Accessories**