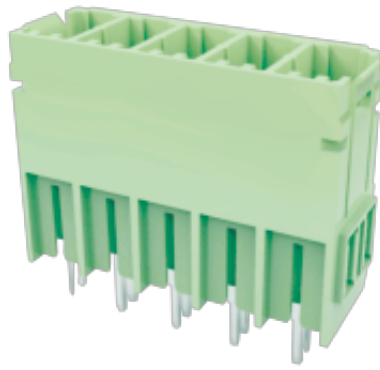


WJ3EDGVH-7.62
PLUG-IN TERMINAL BLOCK



PCB connector
Rated current: 41 A
Rated voltage: 300 V
Pitch: 7.62 mm
Mounting: Wave soldering



UL/CUL

Use Group	B	C	D
Rate Voltage [V]	300	300	300
Rated Current [A]	41	41	10
Wire Range [AWG]		/	
Dielectric Voltage-Withstand		1.6KV	

IEC

Overvoltage Category	III	III	II
Contamination Class	3	2	2
Rated Voltage [V]	630	630	1000
Rated Current [A]	41	41	41
Impulse withstand voltage [KV]	6	6	6
Conductor cross section[solid/flexible] [mm ²]		/	

Material

Insulation Material	PA66
---------------------	------

WJ3EDGVH-7.62
PLUG-IN TERMINAL BLOCK

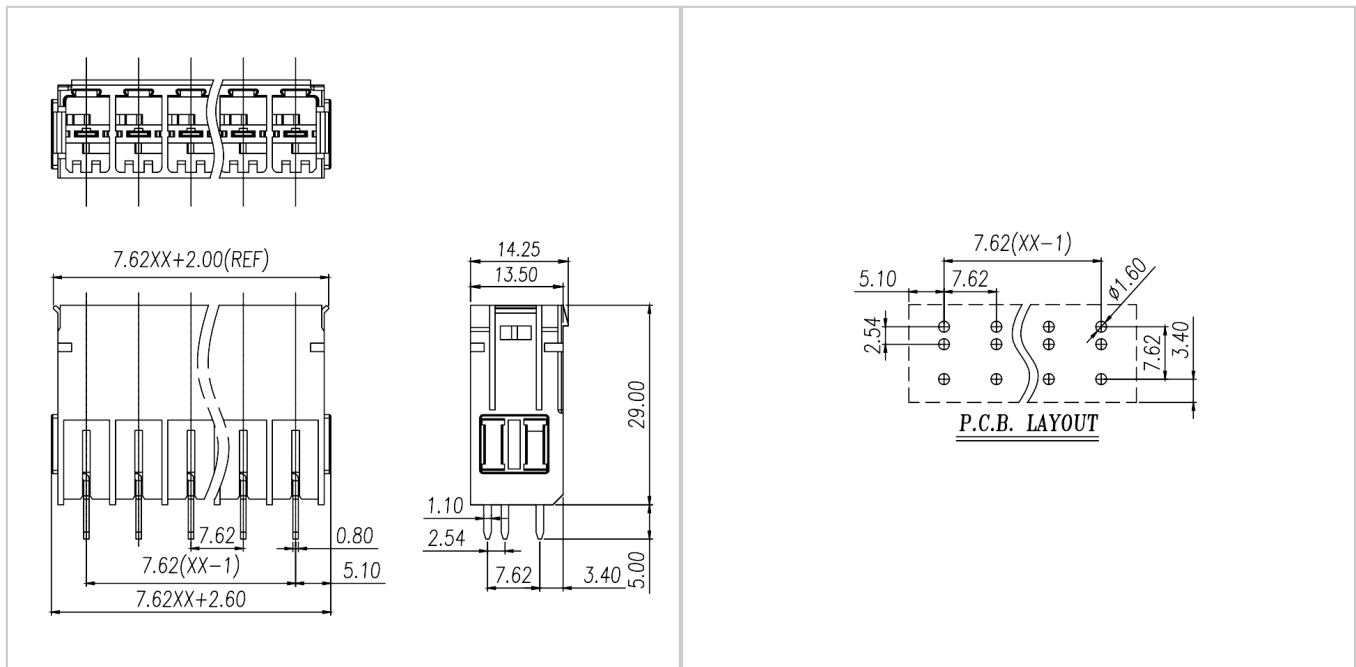
Flame retardant rating	UL94V-0
Conductor Material	Copper alloy
Plating of conductor surface	Sn plated

Other Data

Pitch/Poles [mm]/[P]	7.62/2-12
Stripping Length [mm]	/
Screw/Torque(Max)[N.m]	
Operating temperature [°C]	-40~+105
Soldering temperature	260°C/5S
Pin dimensions [mm]	0.8*1.0
PCB Hole Diameter [mm]	Ø1.6

Dimensions

PCB opening diagram



Accessories