

WJ2EDGRC-10.0/10.16
PLUG-IN TERMINAL BLOCK



PCB connector
Rated current: 15 A
Rated voltage: 300 V
Pitch: 10.0 mm/10.16 mm
Mounting: Wave soldering



UL/CUL

Use Group	B	C	D
Rate Voltage [V]	600	-	600
Rated Current [A]	15	-	5
Wire Range [AWG]	/		
Dielectric Voltage-Withstand	2.2KV		

IEC

Overvoltage Category	III	III	II
Contamination Class	3	2	2
Rated Voltage [V]	630	1000	1000
Rated Current [A]	10	10	10
Impulse withstand voltage [KV]	6	6	6
Conductor cross section[solid/flexible] [mm ²]	/		

Material

Insulation Material	PA66
---------------------	------

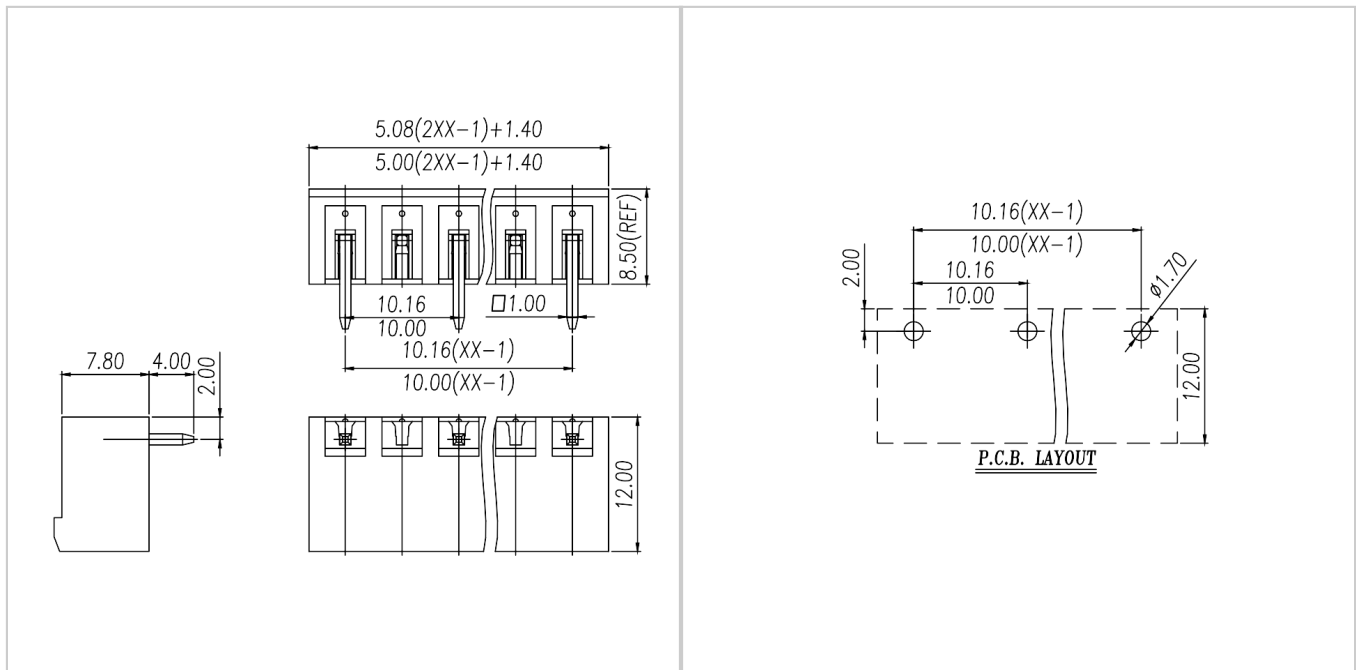
Flame retardant rating	UL94V-0
Conductor Material	Copper alloy
Plating of conductor surface	Sn plated

Other Data

Pitch/Poles [mm]/[P]	10.0 , 10.16/2-12
Stripping Length [mm]	/
Screw/Torque(Max)[N.m]	
Operating temperature [°C]	-40~+105
Soldering temperature	260°C/5S
Pin dimensions [mm]	1.0*1.0
PCB Hole Diameter [mm]	∅1.7

Dimensions

PCB opening diagram



Accessories