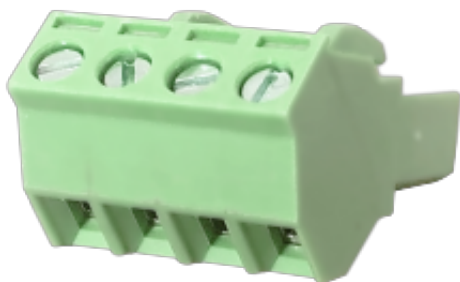


**WJ2EDGKL-3.81**  
**PLUG-IN TERMINAL BLOCK**



PCB connector  
 Rated current: 8 A  
 Rated voltage: 300 V  
 Wire range: 28-16 AWG  
 Pitch: 3.81 mm



**UL/CUL**

Use Group	B	C	D
Rate Voltage [V]	300	-	300
Rated Current [A]	8	-	8
Wire Range [AWG]	28~16		
Dielectric Voltage-Withstand	1.6KV		

**IEC**

Overvoltage Category	III	III	II
Contamination Class	3	2	2
Rated Voltage [V]	160	160	250
Rated Current [A]	7	7	7
Impulse withstand voltage [KV]	2.5	2.5	2.5
Conductor cross section[solid/flexible] [mm <sup>2</sup> ]	0.2~1.5		

**Material**

Insulation Material	PA66
---------------------	------

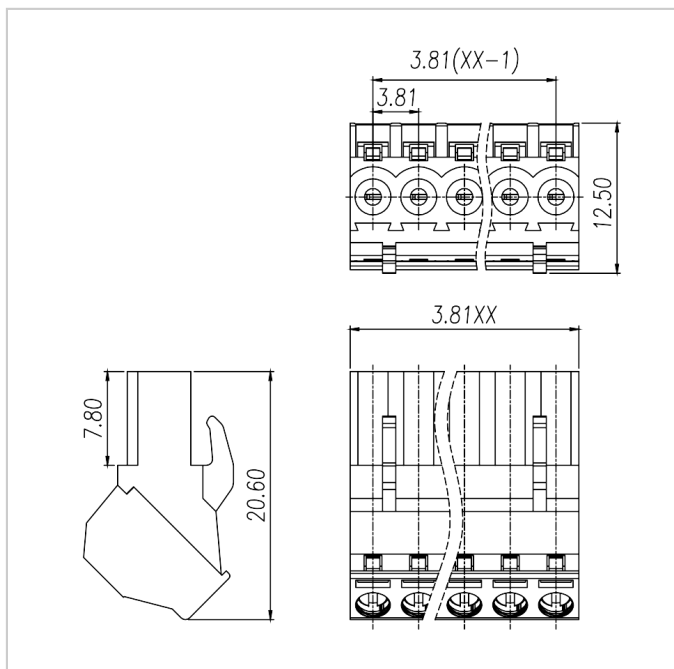
**WJ2EDGKL-3.81**  
**PLUG-IN TERMINAL BLOCK**

Flame retardant rating	UL94V-0
Conductor Material	Copper alloy
Plating of conductor surface	Sn plated

**Other Data**

Pitch/Poles [mm]/[P]	3.81/2-24
Stripping Length [mm]	6-7
Screw/Torque(Max)[N.m]	
Operating temperature [°C]	-40~+105
Soldering temperature	/
Pin dimensions [mm]	/
PCB Hole Diameter [mm]	/

**Dimensions**



**Accessories**