

WJ2EDGKJ-5.08
PLUG-IN TERMINAL BLOCK



PCB connector
Rated current: 18 A
Rated voltage: 300 V
Wire range: 30-12 AWG
Pitch: 5.08 mm



UL/CUL

| Use Group | B | C | D |
|------------------------------|-------|---|---|
| Rate Voltage [V] | 300 | - | - |
| Rated Current [A] | 18 | - | - |
| Wire Range [AWG] | 30-12 | | |
| Dielectric Voltage-Withstand | 1.6KV | | |

IEC

| Overvoltage Category | III | III | II |
|--|---------|-----|-----|
| Contamination Class | 3 | 2 | 2 |
| Rated Voltage [V] | 250 | 320 | 630 |
| Rated Current [A] | 15 | 15 | 15 |
| Impulse withstand voltage [KV] | 4 | 4 | 4 |
| Conductor cross section[solid/flexible] [mm ²] | 0.2-2.5 | | |

Material

| | |
|---------------------|------|
| Insulation Material | PA66 |
|---------------------|------|

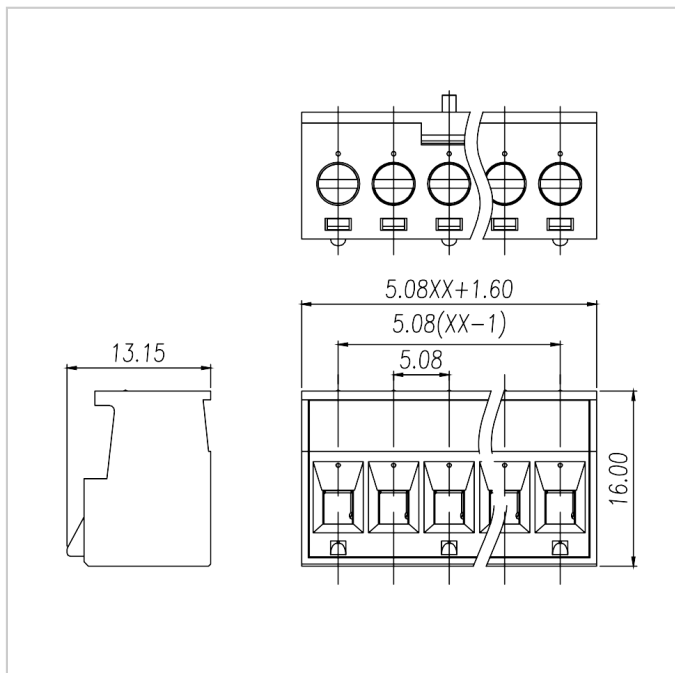
WJ2EDGKJ-5.08
PLUG-IN TERMINAL BLOCK

| | |
|------------------------------|--------------|
| Flame retardant rating | UL94V-0 |
| Conductor Material | Copper alloy |
| Plating of conductor surface | Sn plated |

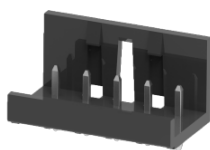
Other Data

| | |
|----------------------------|-----------|
| Pitch/Poles [mm]/[P] | 5.08/2-24 |
| Stripping Length [mm] | 7-8 |
| Screw/Torque(Max)[N.m] | |
| Operating temperature [°C] | -40~+105 |

Dimensions



Accessories



[WJ2EDGJ-5.08](#)