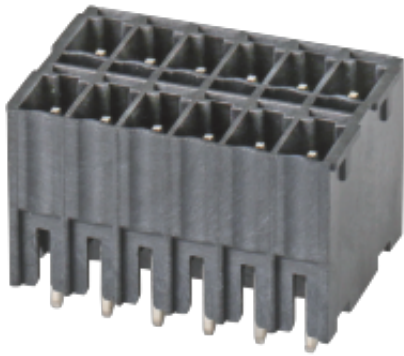


WJ15EDGVHB-THT-3.5/3.81
PLUG-IN TERMINAL BLOCK



PCB connector
Rated current: 8 A
Rated voltage: 300 V
Pitch: 3.5 mm/3.81 mm
Mounting: Reflow soldering



UL/CUL

Use Group	B	C	D
Rate Voltage [V]	300	-	-
Rated Current [A]	8	-	-
Wire Range [AWG]	/		
Dielectric Voltage-Withstand	1.6KV		

IEC

Overvoltage Category	III	III	II
Contamination Class	3	2	2
Rated Voltage [V]	160	160	250
Rated Current [A]	8	8	8
Impulse withstand voltage [KV]	2.5	2.5	2.5
Conductor cross section[solid/flexible] [mm ²]	/		

Material

Insulation Material	LCP
---------------------	-----

WJ15EDGVHB-THT-3.5/3.81
PLUG-IN TERMINAL BLOCK

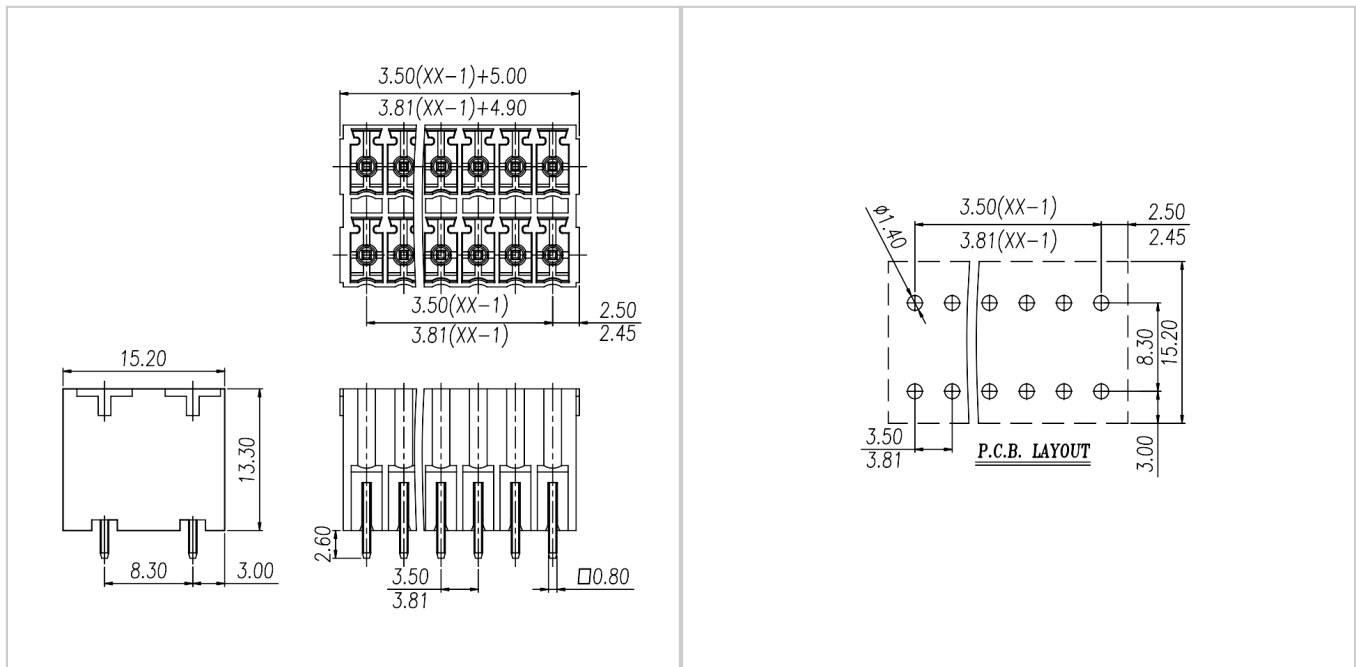
Flame retardant rating	UL94V-0
Conductor Material	Copper alloy
Plating of conductor surface	Sn plated

Other Data

Pitch/Poles [mm]/[P]	3.5 , 3.81/2*2-2*24
Stripping Length [mm]	/
Screw/Torque(Max)[N.m]	
Operating temperature [°C]	-40~+130
Soldering temperature	285°C/10S
Pin dimensions [mm]	0.8*0.8
PCB Hole Diameter [mm]	Ø1.4

Dimensions

PCB opening diagram



Accessories