

WJ15EDGKSHG-3.5
PLUG-IN TERMINAL BLOCK



PCB connector

Rated current: 7 A

Rated voltage: 150 V

Wire range: 28-18 AWG

Pitch: 3.5 mm



UL/CUL

Use Group	B	C	D
Rate Voltage [V]	150	-	150
Rated Current [A]	7	-	7
Wire Range [AWG]	28-18		
Dielectric Voltage-Withstand	1.3KV		

IEC

Overvoltage Category	III	III	II
Contamination Class	3	2	2
Rated Voltage [V]	80	160	200
Rated Current [A]	10	10	10
Impulse withstand voltage [KV]	1.5	2.5	2.5
Conductor cross section[solid/flexible] [mm ²]	0.2-1.0		

Material

Insulation Material	PA66
---------------------	------

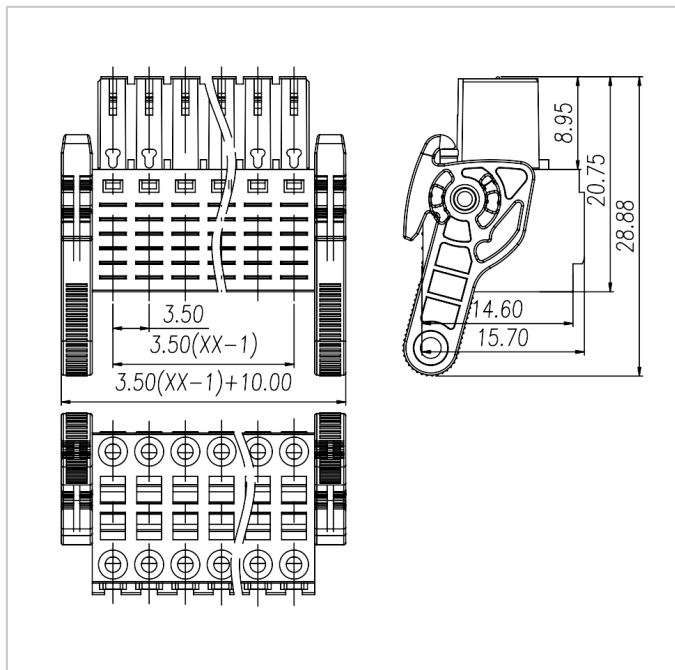
WJ15EDGKSHG-3.5
PLUG-IN TERMINAL BLOCK

Flame retardant rating	UL94V-0
Conductor Material	Copper alloy
Plating of conductor surface	Sn plated

Other Data

Pitch/Poles [mm]/[P]	3.5/2*2-2*24
Stripping Length [mm]	7-8
Screw/Torque(Max)[N.m]	
Operating temperature [°C]	-40~+105
Soldering temperature	/
Pin dimensions [mm]	/
PCB Hole Diameter [mm]	/

Dimensions



Accessories