

WAU12-2500

Electrical Specifications (@25C)

1. Primary Rating: 120V 60Hz (38W @ Full Load)
2. Primary Excitation Current: 95mA Max
3. Secondary Rating: 12VAC \pm 5%, 2500mA AC
4. Secondary No-Load Rating: 13.70VAC Ref.
5. Operating Temperature Range: -10 Deg C to +40 Deg C
6. Temperature Rise: 75 Deg C Max at rated load
50 Deg C Max on enclosure surface

Mechanical Parameters:

Case Type: Thermoplastic molded enclosure.
Output Cord: 24 AWG, 6 Ft. Long Min.

Agency File:

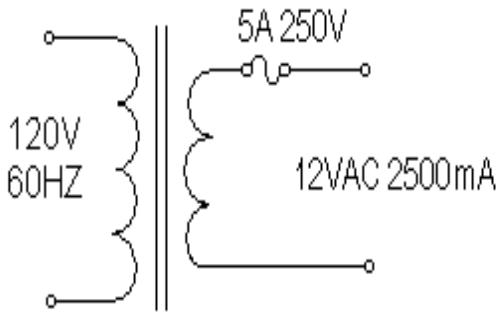
UL/CUL: File E245587, UL 1310

A. Dimensions:

H	W	D
85	68	55

*Units: In Millimeter

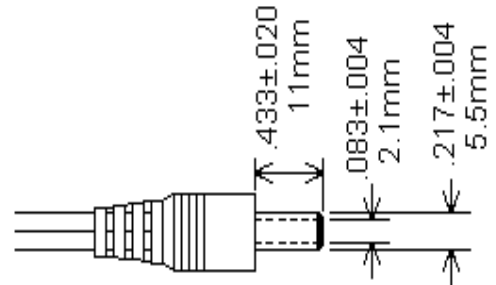
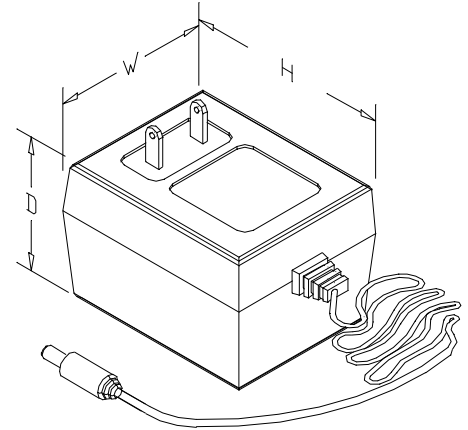
B. Schematic:



DOE Compliance: Effective December 30, 2017, the DOE will now not consider an external power supply with specific characteristics to meet the definition of a device that is subject to EPCA regulation, as long as the power supply is not distributed for use with consumer products.


RoHS Compliance: As of manufacturing date February 2016, all standard products meet the requirements of 2015/863/EU, known as the RoHS 3 initiative.

* Upon printing, this document is considered "uncontrolled". Please contact Triad Magnetics' website for the most current version.




TRIAD

CLASS 2 POWER SUPPLY
MODEL:WAU12-2500
INPUT:120VAC 60Hz,38W
OUTPUT:12VAC @2500mA



LISTED
5G66
E245587



MADE IN CHINA XXXX

FOR INDUSTRIAL AND COMMERCIAL USE ONLY