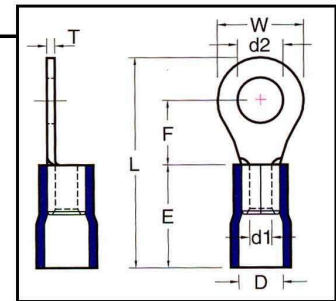


Vinyl Insulated Ring Terminals

2216 AWG Vinyl Insulated Ring

Material: Tin Plated Copper with Butted Seam
Insulation Material: Red PVC Vinyl with Funnel Entry
Maximum Electrical Current: 18 Amps
Maximum Electrical Rating: 75°C, 600V
Material Thickness (T): .030

Barrel ID(d1): .067
Barrel OD (D): .157
Barrel Length (E): .441



HOFFMAN PART NO.	STUD SIZE	DIMENSIONS (INCHES)				UL	TAPE MOUNTED REEL QTY	DIE FOR TAPE MOUNTED	HAND TOOL
		STUD DIAMETER d2	TONGUE WIDTH W	STUD CLEARANCE F	LENGTH L				
FVL2216-S2/J	2	.087	.217	.157	.689	Y	1000	3V2216	YNT2216
FVL2216-S3R2/J	4	.126	.217	.157	.689	Y	1000	3V2216	YNT2216
FVL2216-M3R2	6	.146	.260	.248	.811	Y	1000	3V2216	YNM2210
FVL2216-M4R2	8	.169	.260	.248	.811	Y	1000	3V2216	YNM2210
FVL2216-4R2	8	.169	.315	.276	.866	Y	1000	3V2216	YNM2210
FVL2216-5R2	10	.209	.315	.276	.866	Y	1000	3V2216	YNM2210
FVL2216-6R2	1/4	.252	.457	.433	1.102	Y	1000	3V2216	YNM2210
FVL2216-8R2	5/16	.331	.457	.433	1.102	Y	1000	3V2216	YNM2210
FVL2216-9R2	3/8	.413	.535	.547	1.248	Y	1000	3V2216	YNM2210
FVL2216-9R2/J	3/8	.413	.535	.547	1.240	Y	1000	3V2216	YNT2216

1614 AWG Vinyl Insulated Ring

Material: Tin Plated Copper with Butted Seam
Insulation Material: Blue PVC Vinyl with Funnel Entry
Maximum Electrical Current: 30 Amps
Maximum Electrical Rating: 75°C, 600V
Material Thickness (T): .031

Barrel ID: .091
Barrel OD: .177
Barrel Length: .453

HOFFMAN PART NO.	STUD SIZE	DIMENSIONS (INCHES)				UL	TAPE MOUNTED REEL QTY	DIE FOR TAPE MOUNTED	HAND TOOL
		STUD DIAMETER d2	TONGUE WIDTH W	STUD CLEARANCE F	LENGTH L				
FVL1614-3R2	4	.126	.260	.189	.760	Y	1000	3V1614	YNM2210
FVL1614S3R2	6	.146	.260	.189	.760	Y	1000	3V1614	YNM2210
FVL1614-M3R2	6	.146	.260	.248	.823	Y	1000	3V1614	YNM2210
FVL1614-M4R2	8	.169	.260	.248	.823	Y	1000	3V1614	YNM2210
FVL1614-4R2	8	.169	.335	.307	.917	Y	1000	3V1614	YNM2210
FVL1614-M5R2	10	.209	.335	.307	.917	Y	1000	3V1614	YNM2210
FVL1614-5R2	10	.209	.374	.287	.917	Y	1000	3V1614	YNM2210
FVL1614-6R2	1/4	.252	.472	.433	1.114	Y	1000	3V1614	YNM2210
FVL1614-8R2	5/16	.331	.472	.433	1.114	Y	1000	3V1614	YNM2210
FVL1614-9R2	3/8	.413	.535	.547	1.260	Y	1000	3V1614	YNM2210
FVL1614-13R2	1/2	.512	.756	.630	1.453	Y	N/A	N/A	YNM2210

