

**Global EMI Shielding Technology Center**  
12420 Race Track Rd., Tampa, Florida 33626  
866.TECH.EMI (866.832.4364) † 813.855.6921 ‡ 813.855.3291

[www.LeaderTechInc.com](http://www.LeaderTechInc.com)



EMI/RFI Board, Enclosure, Cable Shielding & Thermal Solutions



## Tech Vent EMI/RFI Vent Panels

Leader Tech's low cost EMI vent panels are the perfect solution to shield openings for heating and ventilation against electromagnetic interference. The Tech Vent EMI vent panels are constructed with aluminum honeycomb to maximize shielding effectiveness as well as airflow performance. These panels are manufactured with a rigid aluminum frame and pre-drilled to meet your mounting specifications. They utilize EMI gasketing as well as weather sealing material for grounding to an enclosure and providing environmental protection. The panels can also be plated in a variety of finishes to improve shielding, corrosion resistance, and galvanic compatibility.

MATERIAL CODE	HONEYCOMB	FRAME	PLATING	EMI GASKET
-91	ALUMINUM 5052, 1/8 CELL, 4.5 DENSITY (0.001 THICK) PER AMS-C-7438	0.062" ALUMINUM 6063 PER ASTM B221	CHROMATE FINISH PER ASTM B449, CLASS 2	MONEL MESH PER QQ-N-281 BONDED TO NEOPRENE SPONGE PER ASTM D6576, TYPE II, GRADE A, MED
-92	ALUMINUM 5052, 1/8 CELL, 4.5 DENSITY (0.001 THICK) PER AMS-C-7438	0.062" ALUMINUM 6063 PER ASTM B221	MATTE TIN PER ASTM B545, CLASS B	TIN PLATED COPPER CLAD STEEL PER ASTM B520 BONDED TO NEOPRENE SPONGE PER ASTM D6576, TYPE II, GRADE A, MED
-92SN	ALUMINUM 5052, 1/8 CELL, 4.5 DENSITY (0.001 THICK) PER AMS-C-7438	0.062" ALUMINUM 6063 PER ASTM B221	BRIGHT TIN PER ASTM B545, CLASS B	TIN PLATED COPPER CLAD STEEL PER ASTM B520 BONDED TO NEOPRENE SPONGE PER ASTM D6576, TYPE II, GRADE A, MED
-93	ALUMINUM 5052, 1/8 CELL, 4.5 DENSITY (0.001 THICK) PER AMS-C-7438	0.062" ALUMINUM 6063 PER ASTM B221	NICKEL PER ASTM B689, CLASS 5	MONEL MESH PER QQ-N-281 BONDED TO NEOPRENE SPONGE PER ASTM D6576, TYPE II, GRADE A, MED
-94	ALUMINUM 5052, 1/8 CELL, 4.5 DENSITY (0.001 THICK) PER AMS-C-7438	0.062" ALUMINUM 6063 PER ASTM B221	CHROMATE FINISH PER ASTM B449, CLASS 2, RoHS	Cu/Ni RIPSTOP FABRIC OVER PU FOAM CORE
-95	ALUMINUM 5052, 1/8 CELL, 4.5 DENSITY (0.001 THICK) PER AMS-C-7438	0.062" ALUMINUM 6063 PER ASTM B221	MATTE TIN PER ASTM B545, CLASS B	Cu/Ni RIPSTOP FABRIC OVER PU FOAM CORE
-95SN	ALUMINUM 5052, 1/8 CELL, 4.5 DENSITY (0.001 THICK) PER AMS-C-7438	0.062" ALUMINUM 6063 PER ASTM B221	BRIGHT TIN PER ASTM B545, CLASS B	Cu/Ni RIPSTOP FABRIC OVER PU FOAM CORE
-96	ALUMINUM 5052, 1/8 CELL, 4.5 DENSITY (0.001 THICK) PER AMS-C-7438	0.062" ALUMINUM 6063 PER ASTM B221	NICKEL PER ASTM B689, CLASS 5	Cu/Ni RIPSTOP FABRIC OVER PU FOAM CORE



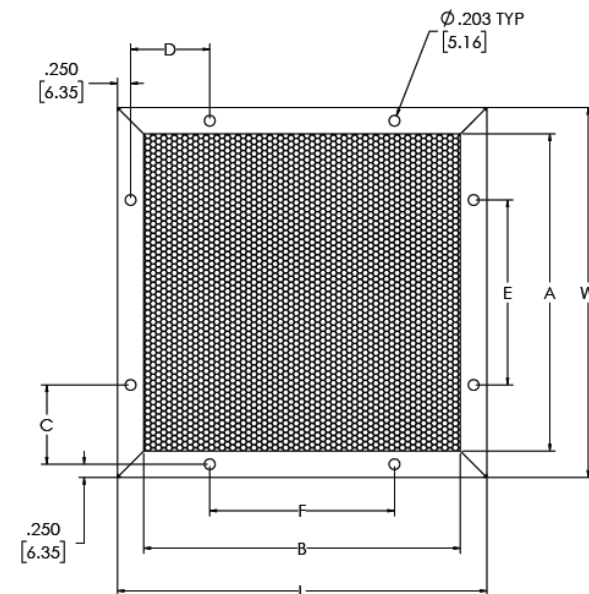
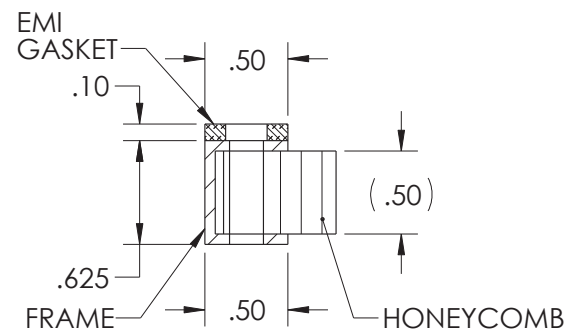
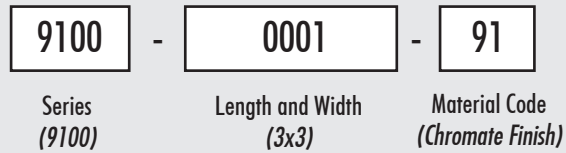
**Global EMI Shielding Technology Center**  
12420 Race Track Rd., Tampa, Florida 33626  
866.TECH.EMI (866.832.4364) † 813.855.6921 ‡ 813.855.3291

STATEMENT OF LIEU OF WARRANTY: All technical information and data in this document is based on tests and is believed to be accurate and reliable. Nevertheless, since the products described herein are not provided to conform with mutually accepted specifications and the use thereof is unknown, the manufacturer and seller of the products do not guarantee results, freedom from patent infringement, or suitability of the products for any application thereof. The manufacturer and seller of the products described in this document will provide all possible technical assistance and will replace any products proven defective. No statement or recommendations made by the manufacturer or seller not contained herein shall have any force of effect unless in conformity with an agreement signed by an officer of the seller and manufacturer. Product testing by the purchaser is recommended in order to confirm expected results.

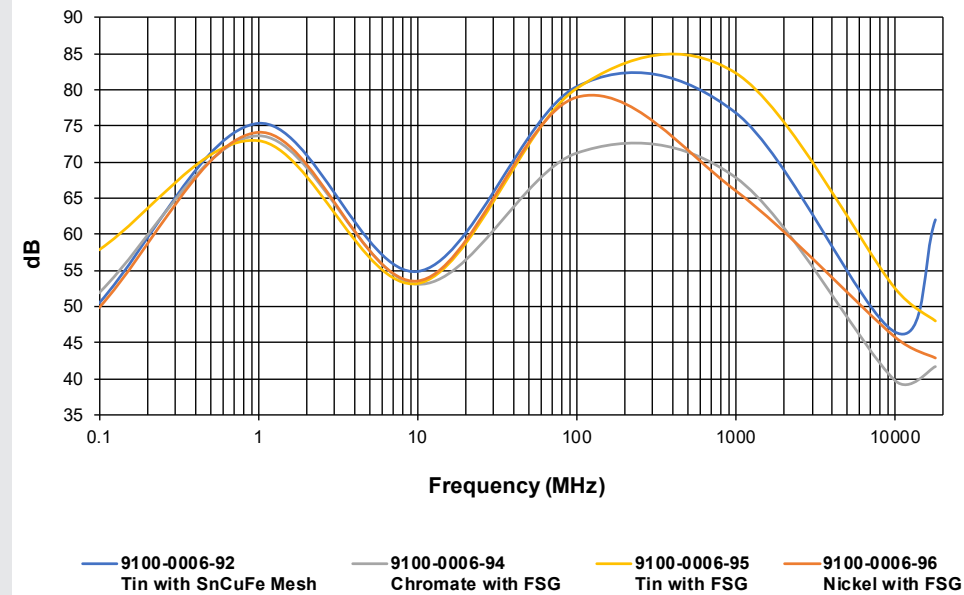
## Tech Vent EMI/RFI Vent Panels

9100-XXXX-XX		Honeycomb Area				Hole Spacing						No. of Fastening Holes						
Part Number	W	L	A	B	C	D	E	F	W Side	L Side	Black = inches Blue = mm							
9100-0001-XX	3.00	76.20	3.00	76.20	2.00	50.80	2.00	50.80	1.25	31.75	1.25	31.75	-	-	-	-	1	1
9100-0002-XX	4.00	101.60	4.00	101.60	3.00	76.20	3.00	76.20	1.75	44.45	1.75	44.45	-	-	-	-	1	1
9100-0003-XX	4.00	101.60	12.00	304.80	3.00	76.20	11.00	279.40	1.75	44.45	1.25	31.75	-	-	3.00	76.20	1	4
9100-0004-XX	5.00	127.00	5.00	127.00	4.00	101.60	4.00	101.60	2.25	57.15	0.75	19.05	-	-	3.00	76.20	1	2
9100-0005-XX	5.00	127.00	7.00	177.80	4.00	101.60	6.00	152.40	2.25	57.15	1.50	38.10	-	-	3.50	88.90	1	2
9100-0006-XX	6.00	152.40	6.00	152.40	5.00	127.00	5.00	127.00	1.00	25.40	1.00	25.40	3.50	88.90	3.50	88.90	2	2
9100-0007-XX	6.00	152.40	18.00	457.20	5.00	127.00	17.00	431.80	1.00	25.40	1.25	31.75	3.50	88.90	3.75	95.25	2	5
9100-0008-XX	7.00	177.80	7.00	177.80	6.00	152.40	6.00	152.40	1.50	38.10	1.50	38.10	3.50	88.90	3.50	88.90	2	2
9100-0009-XX	7.00	177.80	14.00	355.60	6.00	152.40	13.00	330.20	1.50	38.10	1.50	38.10	3.50	88.90	3.50	88.90	2	4
9100-0010-XX	8.00	203.20	8.00	203.20	7.00	177.80	7.00	177.80	2.00	50.80	0.75	19.05	3.50	88.90	3.00	76.20	2	3
9100-0011-XX	8.00	203.20	16.00	406.40	7.00	177.80	15.00	381.00	0.75	19.05	1.25	31.75	3.00	76.20	3.25	82.55	3	5
9100-0012-XX	10.00	254.00	10.00	254.00	9.00	228.60	9.00	228.60	1.25	31.75	1.25	31.75	3.50	88.90	3.50	88.90	3	3
9100-0013-XX	10.00	254.00	18.00	457.20	9.00	228.60	17.00	431.80	1.25	31.75	1.25	31.75	3.50	88.90	3.75	95.25	3	5
9100-0014-XX	12.00	304.80	12.00	304.80	11.00	279.40	11.00	279.40	1.25	31.75	1.25	31.75	3.00	76.20	3.00	76.20	4	4
9100-0015-XX	12.00	304.80	24.00	609.60	11.00	279.40	23.00	584.20	1.25	31.75	1.25	31.75	3.00	76.20	3.50	88.90	4	7

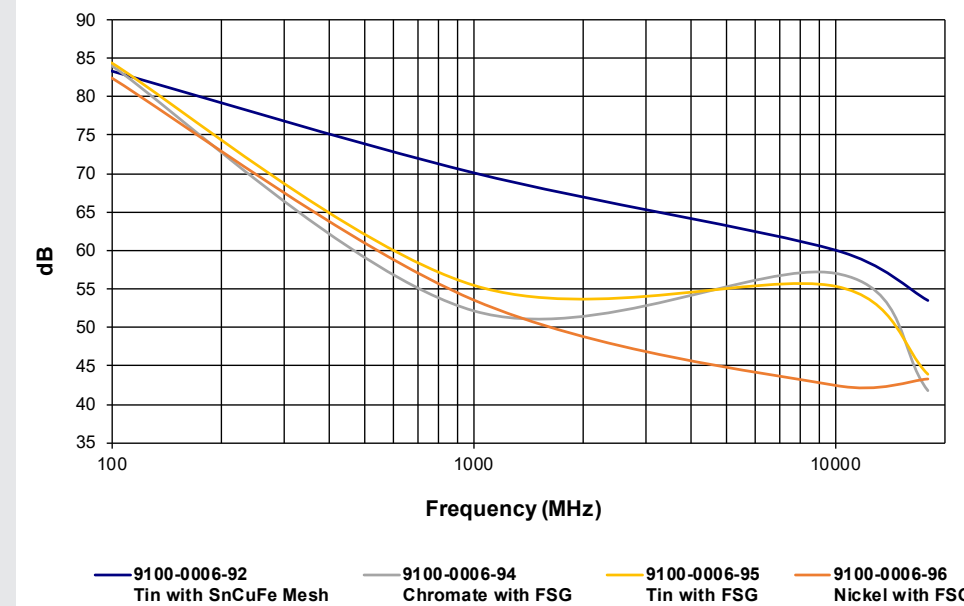
**Part Number Example  
for part : 9100-0001-91**



**Vertical Antenna Polarity**



**Horizontal Antenna Polarity**



### Applications

- Fans
- Server Racks
- Ventilation openings
- MRI Room Shielding
- Military applications
- Telecommunications Hardware equipment

### Material Characteristics

- Frames are made from aluminum extrusion
- Honeycomb is made from aluminum
- Low cost EMI Gaskets made with Fabric Shielding Gasket
- Environmental gaskets made from Neoprene sponge

### Performance

- See attached test data

### Availability

Custom sizes are available. Contact Leader Tech Engineering to discuss custom sizes. Visit our website to view our distribution partners.



[www.LeaderTechInc.com](http://www.LeaderTechInc.com)

ISO 9001: 2015 CERTIFIED RoHS COMPLIANT