

# VCR.192 | Shortened lobe knobs

Duroplast, square hole

METRIC

RoHS

PF

+230 °F  
-4 °F

## MATERIAL

Phenolic based (PF) Duroplast, black colour, glossy finish.

## STANDARD EXECUTION

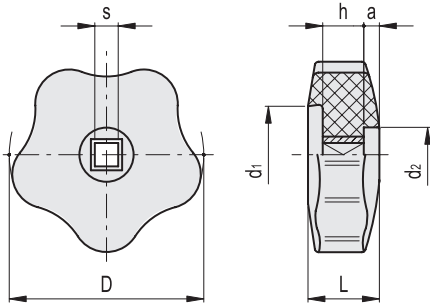
Square through hole with brass reinforcement.

## FEATURES

Special front housing (d2) for hexagon blind nut with spherical cap UNI 5721-69.



ELESA Original design



METRIC

Code	Description	D	sH9	L	d1	d2	h	a	△
69001	VCR.192/40-6x6	40	6	15	21	14	10	4	21
69101	VCR.192/50-6x6	50	6	18	24	14	10	5	33
69111	VCR.192/50-7x7	50	7	18	24	14	10	5	31
69201	VCR.192/60-6x6	60	6	20	29	16	10	4	52
69211	VCR.192/60-7x7	60	7	20	29	16	10	4	50
69221	VCR.192/60-8x8	60	8	20	29	16	10	4	48
69301	VCR.192/70-7x7	70	7	22	35	18	14	5	83
69311	VCR.192/70-8x8	70	8	22	35	18	14	5	78
69401	VCR.192/85-7x7	85	7	25	45	18	14	8	136
69411	VCR.192/85-8x8	85	8	25	45	18	14	8	127
69421	VCR.192/85-9x9	85	9	25	45	18	14	8	126
69501	VCR.192/100-8x8	100	8	28	57	18	14	6	168
69511	VCR.192/100-10x10	100	10	28	57	18	14	6	166

# VZ. | Knurled knobs

Duroplast, square hole

METRIC

RoHS

PF

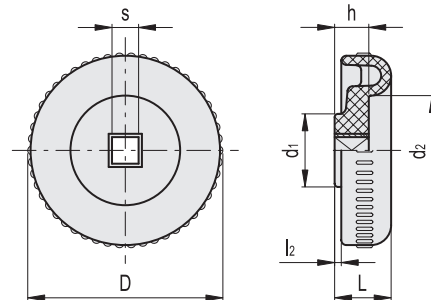
+230 °F  
-4 °F

## MATERIAL

Phenolic based (PF) Duroplast, black colour, glossy finish.

## STANDARD EXECUTION

Square through hole with brass reinforcement.



METRIC

Code	Description	D	sH9	L	d1	d2	l2	h	△
87001	VZ.42-5x5	44	5	10	20	31	1	7	13
87011	VZ.42-6x6	44	6	10	20	31	1	7	14
87111	VZ.56-7x7	58	7	17	22	23	2	9	27
87121	VZ.56-8x8	58	8	17	22	23	2	9	28

Conversion Table			
1 mm = 0.039 inch			
D			
mm	inch	mm	inch
40	1.57	60	2.36
44	1.73	70	2.76
50	1.97	85	3.35
58	2.28	100	3.94

- 1
- 2
- 3
- 4
- 5
- 6
- 7
- 8
- 9
- 10
- 11
- 12
- 13
- 14
- 15
- 16
- 17
- 18