

- 1
- 2
- 3
- 4
- 5
- 6
- 7
- 8
- 9
- 10
- 11
- 12
- 13
- 14
- 15
- 16
- 17
- 18

MATERIAL

High-strength, reinforced phenolic based (PF) Duroplast, black colour, glossy finish.

STANDARD EXECUTIONS

Black-oxide steel hub, uncovered front end, not drilled. See table for maximum permissible boring diameter d' and d".

- **VR.FP**: without handle.
- **VR.FP+I**: with revolving handle I.301+x (see page 664) in Duroplast.
- **VR.FP+IR**: with fold-away handle IR.302 (see page 671) in Duroplast.

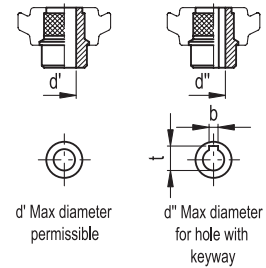
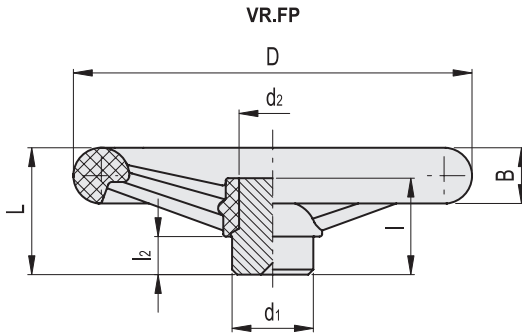
ACCESSORIES ON REQUEST

Axial retaining washer GN 184 (see page 1021).



ELESA Original design

Conversion Table	
1 mm = 0.039 inch	
D	
mm	inch
98	3.86
124	4.88
139	5.47
157	6.18
180	7.09
198	7.79
247	9.72
288	11.34
375	14.76



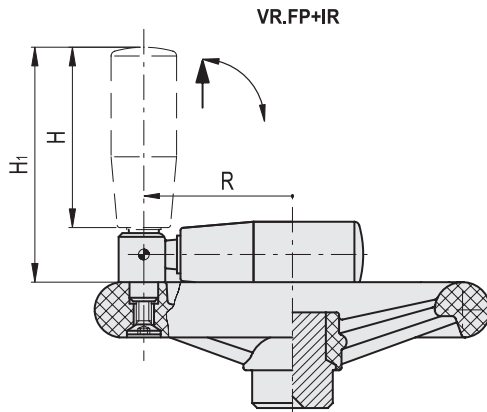
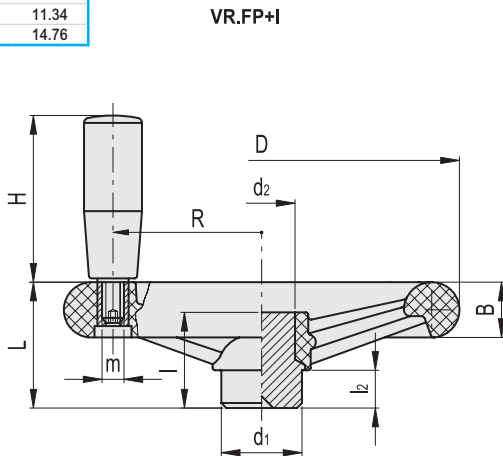
VR.FP

METRIC

Code	Description	D	L	B	d1	d2	l	l2	d'	d''	t	b	C# [Nm]	L# [J]	⚖️
77111	VR.100 FP	98	40	14	24	20	36	12	16	13	15.3	5	67	5	175
77211	VR.125 FP	124	45	18	24	20	36	12	16	13	15.3	5	120	8	240
77311	VR.140 FP	139	47	20	32	24	38	15	20	16	18.3	5	165	12	390
77411	VR.160 FP	157	50	22	32	24	38	15	20	16	18.3	5	165	12	455
77511	VR.180 FP	180	56	24	40	31	43	15	26	22	24.8	6	280	15	700
77611	VR.200 FP	198	56	24	40	31	43	15	26	22	24.8	6	300	16	750
77711	VR.250 FP	247	66	30	49	38	44	15	34	27	30.3	8	405	19	1235
77811	VR.300 FP	288	78	32	58	47	56	18	42	34	37.3	10	800	33	2060
77901	VR.375 FP	375	108	40	58	58	77	26	45	40	43.3	12	1450	70	3900

Operating elements

Conversion Table	
1 mm = 0.039 inch	
D	
mm	inch
98	3.86
124	4.88
139	5.47
157	6.18
180	7.09
198	7.79
247	9.72
288	11.34
375	14.76



VR.FP+I

METRIC

Code	Description	D	L	B	d1	d2	l	l2	H	m	R	d'	d''	t	b	C# [Nm]	L# [J]	⚖
77121	VR.100 FP+I	98	40	14	24	20	36	12	40	M6	37	16	13	15.3	5	67	5	205
77221	VR.125 FP+I	124	45	18	24	20	36	12	50	M8	47	16	13	15.3	5	120	8	300
77321	VR.140 FP+I	139	47	20	32	24	38	15	65	M8	53	20	16	18.3	5	165	12	475
77421	VR.160 FP+I	157	50	22	32	24	38	15	65	M8	59	20	16	18.3	5	165	12	540
77521	VR.180 FP+I	180	56	24	40	31	43	15	80	M10	68	26	22	24.8	6	280	15	830
77621	VR.200 FP+I	198	56	24	40	31	43	15	80	M10	76	26	22	24.8	6	300	16	880
77721	VR.250 FP+I	247	66	30	49	38	44	15	90	M10	98	34	27	30.3	8	405	19	1420
77821	VR.300 FP+I	288	78	32	58	47	56	18	100	M12	113	42	34	37.3	10	800	33	2335
77911	VR.375 FP+I	375	108	40	58	58	77	26	100	M12	160	45	40	43.3	12	1450	70	4170

VR.FP+IR

Code	Description	D	L	B	d1	d2	l	l2	H	H1	R	d'	d''	t	b	C# [Nm]	L# [J]	⚖
77531	VR.180 FP+IR	180	56	24	40	31	43	15	80	100	68	26	22	24.8	6	280	15	840
77631	VR.200 FP+IR	198	56	24	40	31	43	15	80	100	76	26	22	24.8	6	300	16	875
77731	VR.250 FP+IR	247	66	30	49	38	44	15	90	113	98	34	27	30.3	8	405	19	1465
77831	VR.300 FP+IR	288	78	32	58	47	56	18	90	113	113	42	34	37.3	10	800	33	2380
77921	VR.375 FP+IR	375	108	40	58	58	77	26	90	113	160	45	40	43.3	12	1450	70	4250

For maximum torque (C) and impact strength (L) see Technical Data on page A-3 A-3.

