

VPX2703UC1K-SA

Overview

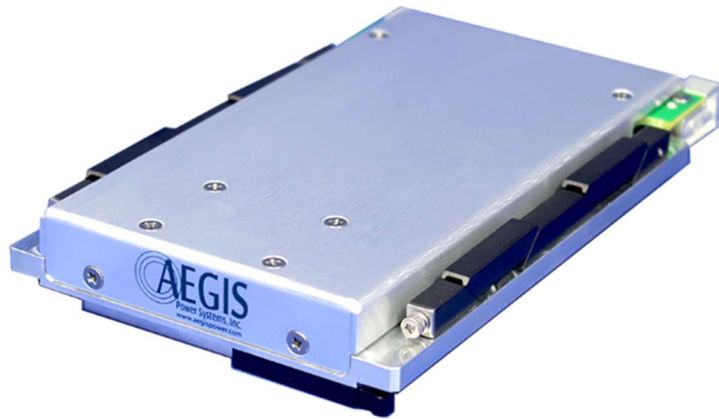
3U VPX DC-DC Power Converter Card
 270Vdc Input, 2 Outputs
 1000W Max Combined Output

Market(s)

Defense

Typical Application(s)

Embedded Computing, C4ISR



Product Highlights

The VPX2703UC1K-SA is a single-slot (5HP) power card for interoperable systems in alignment with the SOSA™ Technical Standards. This power converter offers filtered 270Vdc input and two outputs (+12V and +3.3V_AUX DC). This COTS military power supply solution is designed to the applicable VITA 62 Modular Power Supply and VITA 48.2 conduction-cooled requirements. It also meets applicable portions of both the MIL-STD-810F vibration/shock requirements and the MIL-STD-461G EMI requirements. The VPX2703UC1K-SA provides users with high efficiency (up to 92%) and high power (up to 1000W). Additionally, the redundant IPMB bus and I2C functionality allows users to monitor sensor data (temperature, voltage, current, counter), obtain device ID, and retrieve self-test results per VITA 46.11 and SOSA™ Technical Standards.

Features

- 270Vdc per MIL-STD-704F
- 2 Output Voltages, 1000W
- Single Slot 5HP VITA 48.2 VPX Power Card
- MIL-STD-461G EMI *
- ANSI/VITA 46.11 Tier 2 IPMC *
- Redundant IPMB bus connections

* Designed to meet applicable portions of this standard. Contact Aegis Power Systems, Inc. for specific details.

Table 1: Maximum Continuous Operating Ratings

| Parameter | Rating | Unit | Notes |
|-----------------------|------------|------|---|
| Vin max range | 200 to 330 | Vdc | 270Vdc Nominal |
| Temperature | -40 to +85 | °C | Baseplate @ wedgelocks (85C @ 600W total output) (65C @ 1000W total output) |
| Input power | 1112 | W | @ 1000W out (270VDC input) |
| Combined output power | 1000 | W | See Table 2 for DC output variations |
| Efficiency | 90 | % | Typical @ nominal conditions |

About Us

Aegis Power Systems, Inc. specializes in the design, development, and manufacture of AC-DC and DC-DC power supplies for high-performance, rugged, critical, and specialty applications. Markets served include defense, industrial, communications, aircraft, shipboard, rack mount, embedded computing, and electric vehicle applications.

[Contact us](#) to find out if this item can be configured or redesigned to meet your specific technology need.

SPECIFICATIONS

(Typical at 25°C, nominal line and 100% load, unless otherwise specified.)

| Parameter | Notes |
|-----------------------------|--|
| Input Voltage | Designed to meet MIL-STD-704F Table IV (DC Normal Operation) 250Vdc to 280Vdc, 270 Vdc nominal, continuous operation during Figure 16 (Normal DC voltage transients). |
| Input Current | 4.44A max @ 250Vdc, 4.12A typical @ 270Vdc input (1000W out). |
| Input Power | 1112W max @ 1000W out. |
| Total Output Power | 1000W max. all outputs combined (see Table 4). |
| Output Voltages | (see Table 2). |
| Efficiency | 88.5% minimum, 90% typical, 93% max. |
| Start-Up Time | 1 second maximum. |
| Voltage Set Point | +/- 5% V Out nominal (for any combination). |
| Line/Load Regulation | +/- 5% V Out nominal (for any combination). |
| Output Ripple | 50mVpk-pk Max. (20 MHz BW) all except; +/-12 Vdc 100mVpk-pk Max. |
| Current Limit | Short circuit protected with automatic recovery (110% - 130% of rated output). |
| Temperature | -40°C to +65°C Operating baseplate @ 1000W output. (+85°C Operating baseplate @ 600W output) -40°C to +125°C Storage. |
| Cooling | Conduction cooling through wedgelocks to customer rack. |
| Package | Single slot pluggable slide in rack card. |
| Dimensions | 3U x 5hp x 168.49mm (see mechanical drawing page) (VITA 48.2 Table 3). |
| Weight | 1.65 lbs. (typical). |
| Connectors | 1ea TE Connectivity 6450849-7 or equivalent (see Table 5). |
| Vibration | Designed to meet – ANSI/VITA 47-2005 (R2007), Section 4.4.3 Vibration Class V3. MIL-STD-810F, Method 514.5, Procedure I. |
| Shock: | Designed to meet - ANSI/VITA 47-2005 (R2007), Section 4.5.2 Operating Shock Class OS2 ANSI/VITA 47-2005 (R2007), Section 4.5.3 Bench Handling Shock. MIL-STD-810F, Method 516.5, Procedure I. |
| Humidity | 0 – 95% non-condensing per ANSI/VITA 47-2005 (R2007), Section 4.6 Humidity. |
| EMI | Designed to meet MIL-STD-461G conducted emissions (external EMI filter may be required). |
| System Management | VITA 46.11 IPMI I2C interface with monitoring & dual IPMB bus (see Table 6). |

Specifications subject to change without notice.

Table 2: Voltage Output (Nominal)

| VPX2703UC1K-XX | VS1 | 3.3V_AUX |
|----------------|---------------|-------------------|
| VPX2703UC1K-SA | +12VDC @ 975W | +3.3VDC_AUX @ 66W |

Output power levels indicate maximum power available per output.
 Total combined power of all outputs on VPX2703UC1K-SA cannot exceed 600W @ 85°C / 1000W @ 65°C (Temperature measured on the unit's baseplate @ wedge locks)

Table 3: ENABLE / INHIBIT

| Control Inputs | | Power Outputs | |
|----------------|---------|---------------|-----|
| ENABLE | INHIBIT | 3.3V_AUX | VS1 |
| High | High | Off | Off |
| High | Low | Off | Off |
| Low | High | On | On |
| Low | Low | On | Off |

Table 4: Power Derating

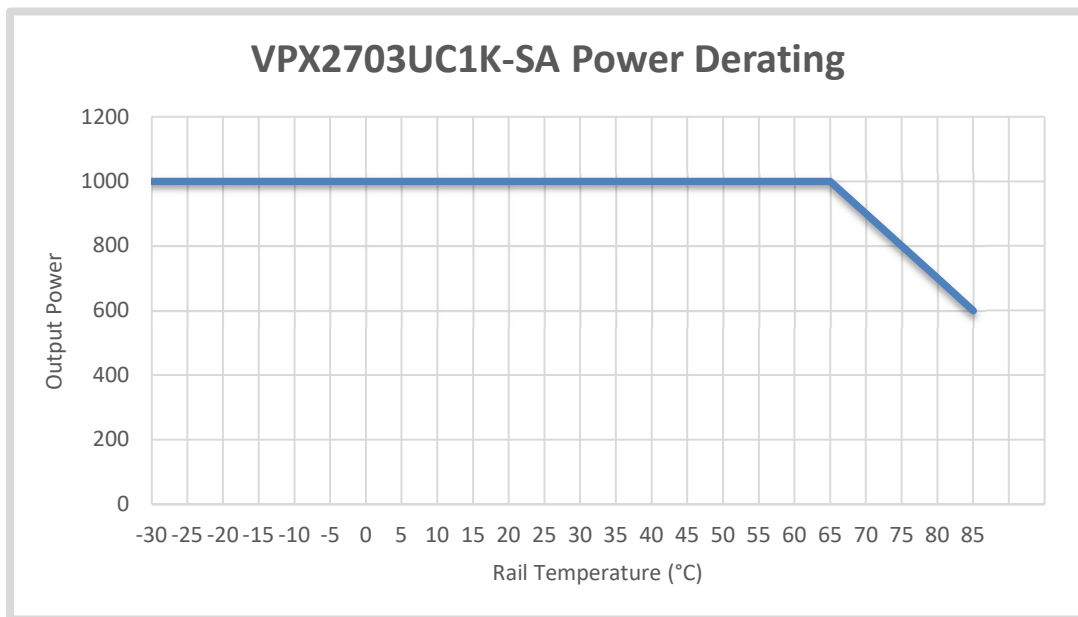


Table 5: Connector Specifications

TE Connectivity Connector 6450849-7 or equivalent

| Contact Designation | | Conductor Circuit |
|---------------------|-------|-------------------|
| P1 | 40A | -DC_IN/ACN |
| P2 | 40A | +DC_IN/ACL |
| LP1 | 20A | CHASSIS |
| A1 | <1A | (NC) |
| B1 | <1A | (NC) |
| C1 | <1A | GA2* |
| D1 | <1A | (NC) |
| A2 | <1A | (NC) |
| B2 | <1A | FAIL* |
| C2 | <1A | INHIBIT* |
| D2 | <1A | ENABLE* |
| A3 | <1A | (NC) |
| B3 | <1.5A | (NC) |
| C3 | <1A | (NC) |
| D3 | <1A | (NC) |
| A4 | <1.5A | (NC) |
| B4 | <1.5A | (NC) |
| C4 | <1.5A | (NC) |
| D4 | <1.5A | (NC) |
| A5 | <1A | GA0* |
| B5 | <1A | GA1* |
| C5 | <1A | SM0 (I2C/SCL) |
| D5 | <1A | SM1 (I2C/SDA) |
| A6 | <1A | SM2 (I2C/SCL) |
| B6 | <1A | SM3 (I2C/SDA) |
| C6 | <1.5A | (NC) |
| D6 | <1A | SYSRESET* |
| A7 | <1A | (NC) |
| B7 | <1A | (NC) |
| C7 | <1A | (NC) |
| D7 | <1A | SIGNAL_RETURN |
| A8 | <1A | +12VDC SENSE |
| B8 | <1A | +3.3V_AUX SENSE |
| C8 | <1A | +12VDC SENSE |
| D8 | <1A | SENSE_RETURN |
| P3 | 40A | +12VDC (VS1) |
| P4 | 40A | POWER_RETURN |
| P5 | 40A | POWER_RETURN |
| LP2 | 20A | +3.3V_AUX |
| P6 | 40A | +12VDC (VS1) |

* Use of a trailing asterisk indicate a logic signal which is active when at the less positive level of its allowable range

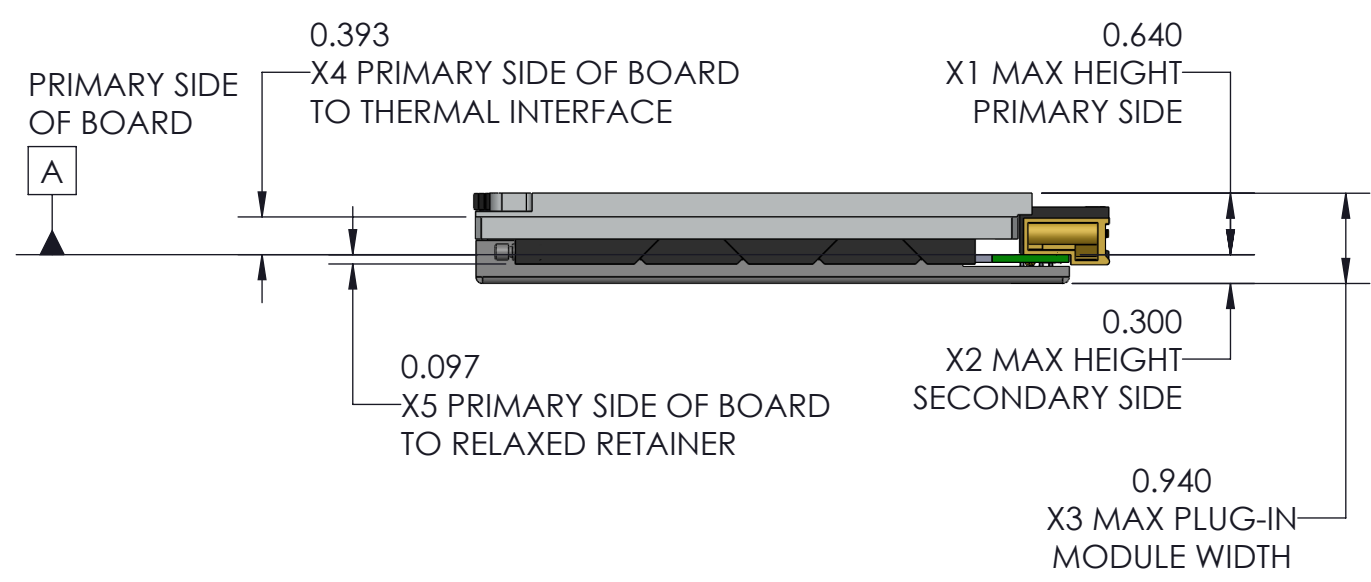
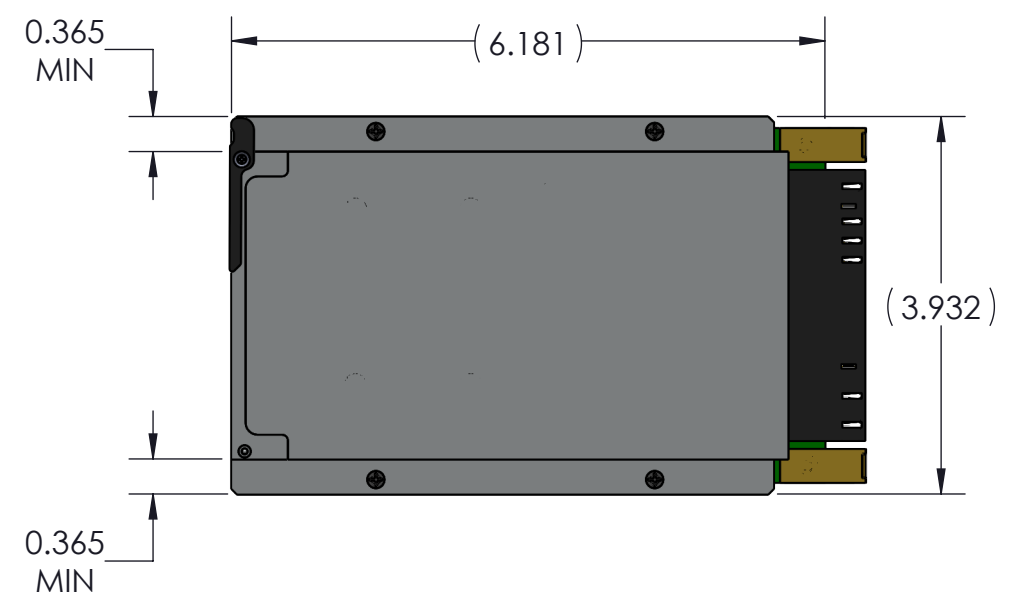
Table 6: IPMI Commands

The following three VITA 46.11 IPMI commands are currently implemented in firmware:

- Get Device ID Command (App (06h) (01h))**
 This command will return the hardware revision, firmware/software revision, command interface revision, system serial number for the power supply.
- Get Self-Test Results Command (App (06h) (04h))**
 This command will initiate the power supply to verify all available sensor readings are within specified operating ranges. It will report successful if there are no errors, or it will report the sensor that was out of range.
- Get Sensor Reading Command (S/E (04h) (2Dh))**
 This command will return the data from one of the available sensors. The following sensors are available:

| Self-test Sensor Threshold | Sensor Number | Available Data Sensors | Data Reply Format |
|----------------------------|---------------|--------------------------|-------------------|
| OT = 90C | 00h | BASEPLATE TEMPERATURE | 2 BYTE HEX |
| OV/UV = +/-5% | 01h | VS1 OUTPUT VOLTAGE | 2 BYTE HEX |
| OV/UV = +/-5% | 05h | +3.3V_AUX OUTPUT VOLTAGE | 2 BYTE HEX |
| OC = 120% Nom. | 07h | VS1 OUTPUT CURRENT | 2 BYTE HEX |
| OC = 120% Nom. | 08h | +3.3V_AUX OUTPUT CURRENT | 2 BYTE HEX |
| N/A | 0Ah | TURN-ON COUNTER | 2 BYTE HEX |

| | | | | | |
|-----------|-----|-----------------|--|----------|-----|
| DWG NO. | | 2 | | SH | REV |
| REVISIONS | | | | | |
| ZONE | REV | DATE | | APPROVED | |
| | A01 | INITIAL RELEASE | | DD/MM/YY | XX |
| | | | | | |
| | | | | | |



AEGIS POWER SYTEMS, INC. PROPRIETARY INFORMATION. NODISCLOSURE, REPRODUCTION, OR USE OF ANY PARTY HERE OF MAY BE MADE EXECEPT BY EXPRESS WRITTEN PERMISSION OF AEGIS POWER SYTEM, INC.

UNLESS OTHERWISE SPECIFIED:
 DIMENSIONS ARE IN INCHES
 TOLERANCES:
 FRACTIONAL ± N/A
 DEGREES: ± .5
 TWO PLACE DECIMAL ± .02
 THREE PLACE DECIMAL ± .005

| | | |
|--------------------------------------|------|------|
| CONTRACT NO. | | |
| APPROVALS | NAME | DATE |
| DRAWN | | |
| CHECKED | | |
| ENG APPR. | | |
| MFG APPR. | RP | |
| Q.A. | MH | |
| COMMENTS: GENERATED:BY SOLIDWORKS | | |

| | | | |
|---|----------|--------------|-----|
| AEGIS POWER SYSTEMS MURPHY, NORTH CAROLINA | | | |
| TITLE: VPXxx3UCxx- | | | |
| AEGIS P/N: VPXxx3UCxx- | | | |
| SIZE | FSCM NO. | DWG. NO. | REV |
| B | 06ES8 | VPXxx3UCxx | - |
| SCALE: 1:2 | | SHEET 1 OF 1 | |

| | |
|----------------------|------------|
| MATERIAL | SEE NOTE 3 |
| FINISH | SEE NOTE 4 |
| DO NOT SCALE DRAWING | |