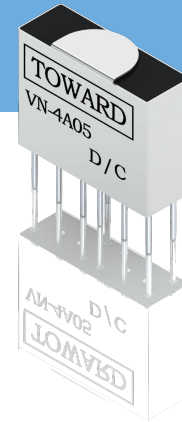


VN-4A Series



Features

- Ultra High density Reed Relays
- High Reliability, hermetically sealed contacts for long life

Order Code

VN-4A XX-X
a b c d

a: Relay Model
b: Contact Form: 4A=4FormA
c: Coil Voltage: 05=05VDC 12=12VDC
d: Special Code: Nil=Standard, A-Z: Special

Coil Data-Standard Type (at 20°C)

Part Number	Nominal Voltage Dc±10% [V]	Coil Resistance ±10% [ohm]	Nominal Current [mA]	Must Release Voltage MIN. [V] at 20°C	Must Operate Voltage MAX. [V] at 20°C
VN-4A	05	200	25.0	0.7	3.75
	12	700	17.1	1.2	8.8

Notes: The VN-4A has two coils, and the Nominal Current is the current of each coil.

Contact Rating

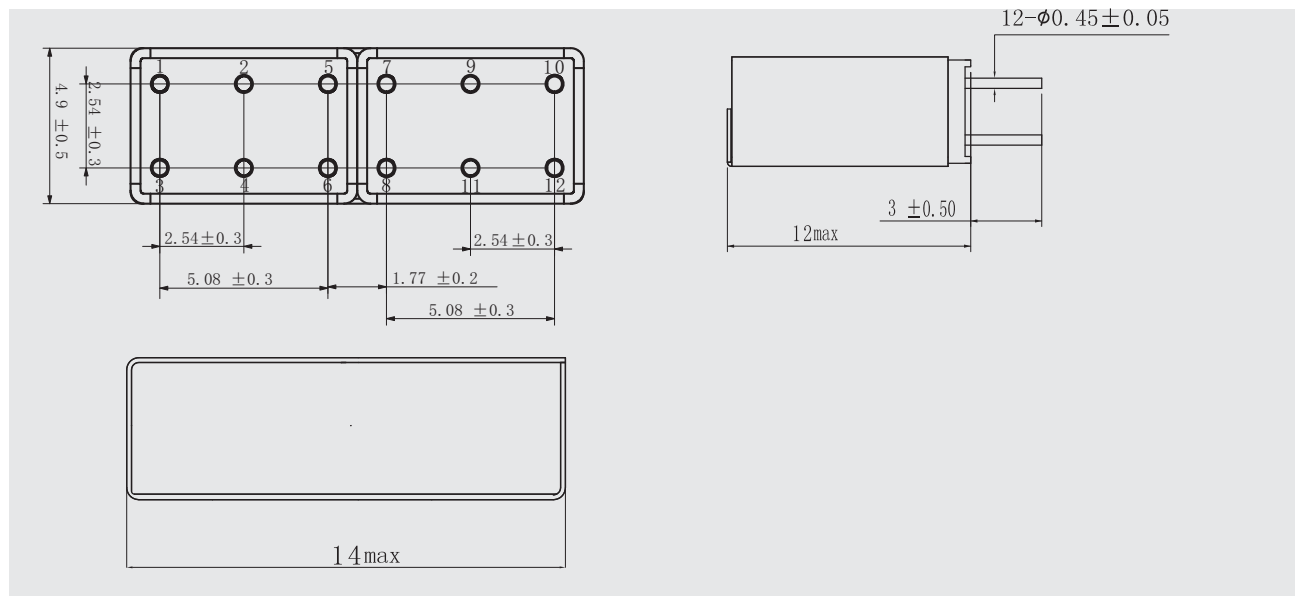
Relay Model	VN-4A	
Contact Rating	10W	
Switching Voltage	170VDC/120VAC	
Max. Switching Current	0.5A	
Max. Carry Current	1.0A	
Contact Resistance	150mΩ	
Contact Resistance Stability	5mΩ	
Breakdown Voltage	Open contacts	210VDC
	Contacts to Contacts	200VDC
	Contacts to Coil	200VDC



Specification

Relay Model	VN-4A	
Insulation Resistance (at 100VDC 20°C 65%Rh)	$1 \times 10^{12} \Omega$	
Open Contact Capacitance	0.35pF(Typ)	
Operate Time (including Bounce)	0.5mS(Max)	
Release Time	0.5mS(Max)	
Vibration	20G, 2000Hz	
Shock	50G	
Operating Temperature	-40°C~+85°C	
Storage Temperature	-40°C~+85°C	
Life Expectance	Mechanical	1×10^9 Operations
	Electrical	1V 10mA, 3×10^8 Operations

Dimensions (Unit : mm)



Wiring Diagrams(Top View)

