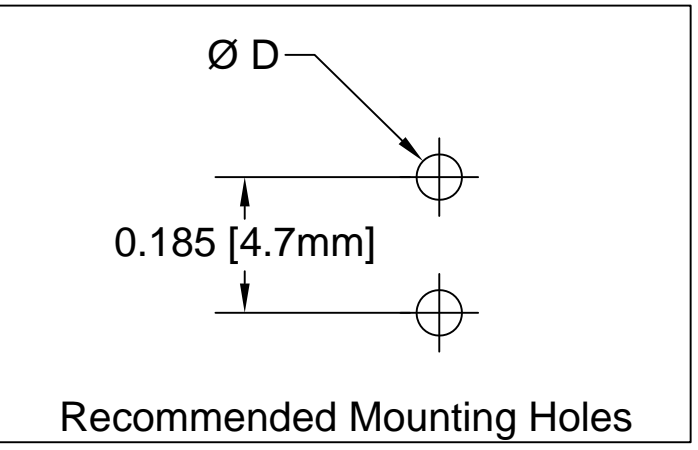
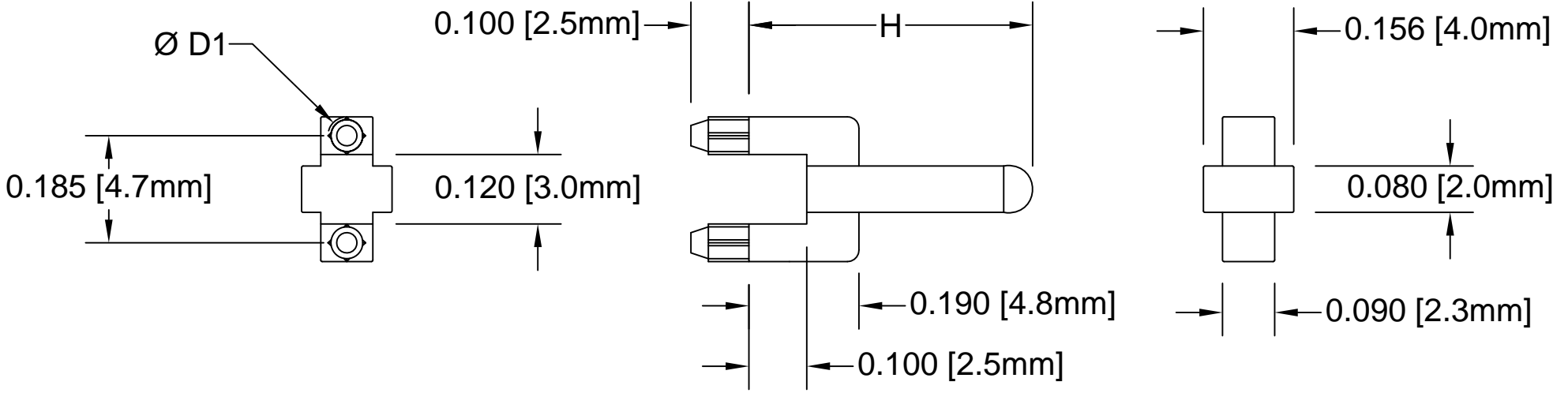




REV.	DESCRIPTION	DATE	APPROVED
A	Engineering Release.	03/10/04	M. C.
B	Added Color Options, Sheet #2.	02/02/16	J. C.



P/N	H	Ø D <sup>+0.003</sup> / <sub>-0.002</sub>	Ø D1
VLPR-24-500-2	0.500"(12.7mm)	.062"(1.6mm)	.065"(1.7mm)
VLPR-24-650-2	0.650"(16.5mm)	.062"(1.6mm)	.065"(1.7mm)
VLPR-24-858-2	0.858"(21.8mm)	.058"(1.5mm)	.060"(1.5mm)
VLPR-24-1028-2	1.028"(26.1mm)	.058"(1.5mm)	.060"(1.5mm)

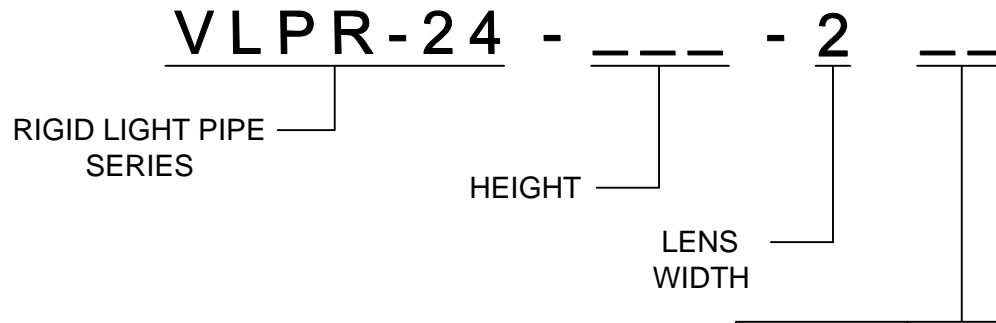
STANDARD TOLERANCE (UNLESS OTHERWISE SPECIFIED)		 4 THOMAS, IRVINE, CA. 92618 TEL: (949) 951-8808 FAX: (949) 951-3974	
DECIMALS	ANGULAR		
.X ± .1	X° ± 1°		TITLE: VERTICAL LIGHT PIPE
.XX ± .01			DESIGNED: <b>T. Yin</b>
.XXX ± .005		CHECKED: <b>D. Green</b>	DATE: <b>03/10/04</b>
		PART NO: <b>VLPR-24-XXXX-2</b>	REVISION: <b>B</b>
		CAGE CODE : <b>32559</b>	SHEET # <b>1 OF 2</b>
CAD GENERATED DOCUMENT. DO NOT MEASURE DRAWING.			

- 2. MATERIAL: POLYCARBONATE 94V-0 CLEAR.
- 1. GENERAL SPECIFICATIONS: BIVAR MOLDED COMPONENT SPECIFICATION BV00-E101.

**OTHER AVAILABLE COLORS**

\* SEE TABLE FOR ORDERING INFORMATION


REV.	DESCRIPTION	DATE	APPROVED
	SEE SHEET #1		



COLOR	Order Code
BLUE	BE
BLACK	BK
GREEN	GN
GRAY	GY
RED	RD
YELLOW	YW

NOTE: LEAVE ORDER CODE BLANK IF NO COLOR IS DESIRED.

3. PARTS ARE DYED TO COLOR UPON REQUEST.

STANDARD TOLERANCE ( UNLESS OTHERWISE SPECIFIED ) DECIMALS                      ANGULAR		<b>BIVAR</b> <sup>®</sup> 4 THOMAS, IRVINE, CA. 92618 TEL: (949) 951-8808    FAX: (949) 951-3974	
		 <b>TITLE:</b> VERTICAL LIGHT PIPE	
DESIGNED: <b>K. Aukshunas</b>	DATE: <b>01/22/16</b>	<b>PART NO:</b> VLPR-24-XXXX-2	REVISION: <b>B</b>
CHECKED: <b>J. Chiang</b>	DATE: <b>01/22/16</b>	<b>CAGE CODE : 32559</b>	<b>SHEET # 2 OF 2</b>
<small>CAD GENERATED DOCUMENT. DO NOT MEASURE DRAWING.</small>			