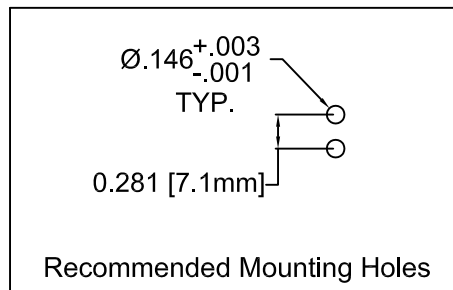
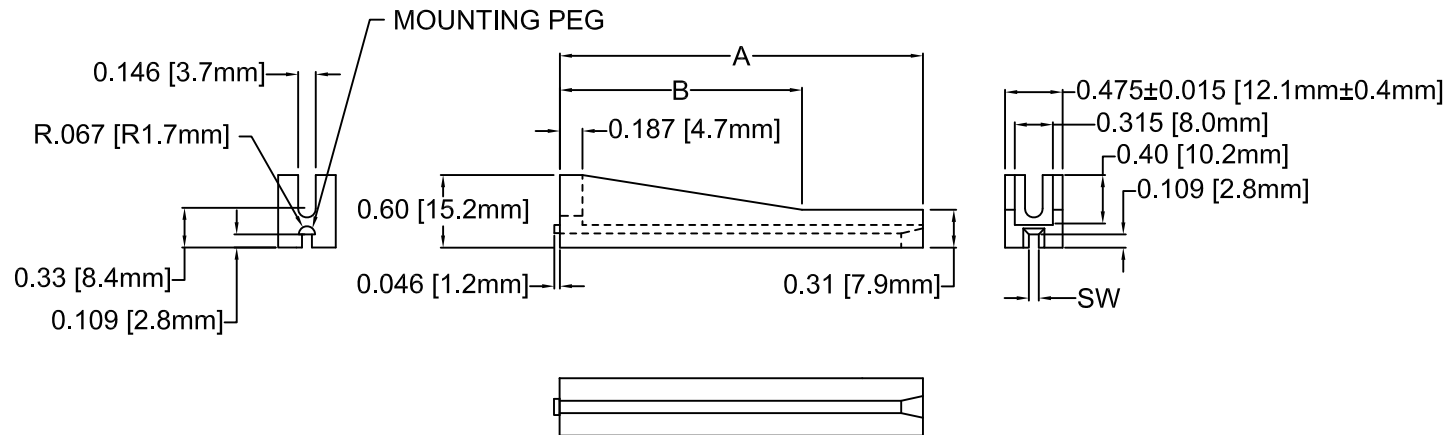


REVISIONS			
REV.	DESCRIPTION	DATE	APPROVED
C	Mounting Hole Update	04/09/09	T. Y.
D	Removed -102 and -134 Parts	08/25/09	T. Y.
E	Tolerance Update on .475" Thickness	09/09/10	T. Y.
F	Updated Notes with Mounting Instructions	02/05/14	J. C.
G	Material Update	10/22/15	J. C.
H	Changed Material to Halogen Free, ECO 1026	10/17/19	A. V.



PART NO.	A ±.015 (.38)	B ±.015 (.38)	SW 1/16" PCB
VG2-2	2.0 (50.8)	1.5 (38.1)	.076 (1.9)
VG2-25	2.5 (63.5)	1.5 (38.1)	
VG2-3	3.0 (76.2)	2.0 (50.8)	
VG2-35	3.5 (88.9)		
VG2-4	4.0 (101.6)		
VG2-45	4.5 (114.3)		
VG2-5	5.0 (127.0)		
VG2-55	5.5 (139.7)		
VG2-6	6.0 (152.4)		

3. MOUNTING INSTRUCTIONS: INSERT MOUNTING PEG INTO .146" HOLE AND TAPPING SCREW THROUGH SECOND .146" HOLE. PITCH IS .281".
2. MATERIAL: NYLON 66, 15% GLASS FILLED, 94V-0, HALOGEN FREE, BLACK.
1. GENERAL SPECIFICATIONS: BIVAR MOLDED COMPONENT SPECIFICATION BV00-E101.

STANDARD TOLERANCE (UNLESS OTHERWISE SPECIFIED)		 4 THOMAS, IRVINE, CA. 92618 TEL: (949) 951-8808 FAX: (949) 951-3974			
DECIMALS	ANGULAR				
.X ±.1	X° ± 1°	 TITLE: VERTICAL PCB CARD GUIDE			
.XX ±.01					
.XXX ±.005		DESIGNED: <b>D. Green</b>	DATE: <b>11/22/02</b>	DRAWING NO: <b>VG2-XX-XXX</b>	REVISION: <b>H</b>
		REVISED: <b>TD. NGUYEN</b>	DATE: <b>10/17/19</b>	SHEET SIZE <b>A</b>	CAGE CODE: <b>32559</b>
		CHECKED: <b>K. BARON</b>	DATE: <b>10/18/19</b>	SCALE: <b>NONE</b>	SHEET # <b>1 OF 1</b>
CAD GENERATED DOCUMENT, DO NOT MEASURE DRAWING					