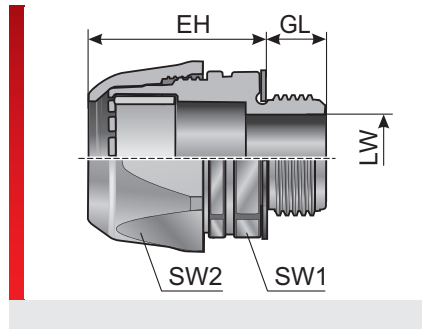


## Type VG (plastic thread)



m-top conduit fitting

### PRODUCT INFORMATION

The VG conduit fittings are made of specially modified polyamide 6 and thermoplastic elastomer. The materials are halogen, phosphor and cadmium-free. The VG conduit fittings feature the following advantages:

- Quick assembly, insert conduit, screw upper part tight, done
- No parts can get lost, delivered completely assembled

- Resistant to vibration due to lockable cap nut
- Clamping along entire circumference, ensuring maximum tensile strength.
- High level of tightness at IP 68/69K to 6 bar and without any add-on components to EN 60529

Specification:

- EN 45545-2:2016 3x HL3

### SPECIFICATIONS

- Fitting: Mod. polyamide PA 6
- Connecting thread Mod. polyamide PA 6
- IP 68 up to 6 bar (IP 69K)
- 40 – 110 °C transient / short term  
140 °C
- V0 self-extinguishing

Made in Germany

Type	Order No.	Colour	Connecting thread	Suitable for Murrflex	EH mm	GL mm	LW mm	SW 1 / 2 mm	Pack qty.
<b>Metric plastic thread</b>									
VG M12-K	83511052	Black	M12x1.5	M12/P09	21.00	12.00	7.20	20.00 / 20.00	50
VG M16-K	83511054	Black	M16x1,5	M16/P11	27.00	12.00	10.50	25.00 / 25.00	50
VG M20-K	83511056	Black	M20x1.5	M20/P16	35.00	13.00	14.60	33.00 / 33.00	50
VG M25-K	83511058	Black	M25x1.5	M25/P21	37.00	13.00	19.00	41.00 / 41.00	50
VG M32-K <sup>(1)</sup>	83511060	Black	M32x1.5	M32/P29	46.00	14.00	26.00	50.00 / 50.00	25
VG M40-K <sup>(2)</sup>	83511062	Black	M40x1.5	M40/P36	53.00	17.00	33.50	60.00 / 60.00	25
VG M50-K <sup>(1)</sup>	83511064	Black	M50x1.5	M50/P48	60.00	17.00	41.20	75.00 / 75.00	10
<b>Pg plastic threading</b>									
VG P9-K	83511452	Black	Pg 09	M12/P09	21.00	12.00	7.20	20.00 / 20.00	50
VG P11-K	83511454	Black	Pg 11	M16/P11	27.00	12.00	10.50	25.00 / 25.00	50
VG P16-K	83511456	Black	Pg 16	M20/P16	35.00	13.00	14.60	33.00 / 33.00	50
VG P21-K	83511458	Black	Pg 21	M25/P21	37.00	13.00	22.00	41.00 / 41.00	50
VG P29-K <sup>(1)</sup>	83511460	Black	Pg 29	M32/P29	46.00	14.00	26.00	50.00 / 50.00	25

## Type VG (plastic thread)

Type	Order No.	Colour	Connecting thread	Suitable for Murrflex	EH mm	GL mm	LW mm	SW 1 / 2 mm	Pack qty.
VG P36-K <sup>2)</sup>	83511462	Black	Pg 36	M40/P36	53.00	17.00	33.50	60.00 / 60.00	25
VG P48-K <sup>1)</sup>	83511464	Black	Pg 48	M50/P48	60.00	17.00	49.00	75.00 / 75.00	10
<b>NPT plastic threading</b>									
VG P9-K <sup>1)</sup>	83511412	Grey	Pg 09	M12/P09	21.00	12.00	7.20	20.00 / 20.00	50
VG P11-K <sup>1)</sup>	83511414	Grey	Pg 11	M16/P11	27.00	12.00	10.50	25.00 / 25.00	50
VG P16-K <sup>1)</sup>	83511416	Grey	Pg 16	M20/P16	35.00	13.00	14.60	33.00 / 33.00	50
VG P21-K <sup>1)</sup>	83511418	Grey	Pg 21	M25/P21	37.00	13.00	22.00	41.00 / 41.00	50
VG P29-K <sup>1)</sup>	83511420	Grey	Pg 29	M32/P29	46.00	14.00	26.00	50.00 / 50.00	25
VG P36-K <sup>2)</sup>	83511422	Grey	Pg 36	M40/P36	53.00	17.00	33.50	60.00 / 60.00	25
VG P48-K <sup>1)</sup>	83511424	Grey	Pg 48	M50/P48	60.00	17.00	49.00	75.00 / 75.00	10
<b>NPT plastic threading</b>									
VG N 3/8"-K	83511850	Black	3/8"	M16/P11	27.00	12.00	10.50	25.00 / 25.00	50
VG N 1/2"-K	83511852	Black	1/2"	M20/P16	35.00	13.00	14.60	33.00 / 33.00	50
VG N 3/4"-K	83511854	Black	3/4"	M25/P21	37.00	13.00	19.00	41.00 / 41.00	50
VG N 1"-K <sup>1)</sup>	83511856	Black	1"	M32/P29	46.00	14.00	26.00	50.00 / 50.00	25
VG N 1 1/4 -K <sup>2)</sup>	83511858	Black	1 1/4"	M40/P36	53.00	17.00	33.50	60.00 / 60.00	25
VG N 2"-K <sup>1)</sup>	83511860	Black	2"	M50/P48	60.00	17.00	41.20	75.00 / 75.00	10
<b>NPT plastic threading</b>									
VG N 3/8"-K <sup>3)</sup>	83511810	Grey	3/8"	M16/P11	27.00	12.00	10.50	25.00 / 25.00	50
VG N 1/2"-K <sup>1)</sup>	83511812	Grey	1/2"	M20/P16	35.00	13.00	14.60	33.00 / 33.00	50
VG N 3/4"-K <sup>1)</sup>	83511814	Grey	3/4"	M25/P21	37.00	13.00	19.00	41.00 / 41.00	50
VG N 1"-K <sup>1)</sup>	83511816	Grey	1"	M32/P29	46.00	14.00	26.00	50.00 / 50.00	25
VG N 1 1/4 -K <sup>2)</sup>	83511818	Grey	1 1/4"	M40/P36	53.00	17.00	33.50	60.00 / 60.00	25
VG N 2"-K <sup>3)</sup>	83511820	Grey	2"	M50/P48	60.00	17.00	41.20	75.00 / 75.00	10
<sup>1)</sup> With cURus- approval <sup>2)</sup> With CSA- and cURus- approval <sup>3)</sup> With cURus approval, - min. order quantity 750 pcs									

### MATERIAL PROPERTIES



Fitting: Mod. polyamide PA 6  
Connecting thread Mod. polyamide PA 6

### MECHANICAL PROPERTIES



**Protection class**  
IP 68 up to 6 bar (IP 69K)

### THERMAL PROPERTIES



**Temperature / temperature range**  
-40 – 110 °C transient / short term 140 °C

## Type VG (plastic thread)

### FIRE BEHAVIOUR



**Fire classification**  
V0 self-extinguishing

**Smoke emission class**  
SR2 DIN 54837 / 5510-2

**Flammability classification**  
S4 DIN 5510-2

**Brandeigenschaften nach DIN EN 45545-2 : 2013 Rev. 2016**

C.I.T. R22 / R23 HL3 = 0,43  
LOI R22 / R23 HL3 = 33,8 %  
Ds (max.) R22 / R23 HL3 = 63

### APPROVALS AND OPERATING PERMITS



**Railway EU approval**  
EN 45545-2 : 2016 R22 HL2 / R23 HL3



**CSA approval**



**GL approval**



**cURus approval**

### TECHNICAL INFORMATION



**Halogen-free**  
DIN 53474

### CONFORMITY



**RoHS (EC Directive 2002/95/EC)**

### GENERAL INFORMATION



**Made in Germany**

All details given in our sales material prospectuses and catalogues as well as the information available online are based on our current knowledge of the products described.

The electronic data and files made available by Murrplastik, particularly CAD files are based on our current knowledge of the product described.

A legally binding assurance of certain properties or the suitability for a certain purpose can not be determined from this information.

All information with respect to the chemical and physical properties of Murrplastik products as well as application advice given verbally, in writing or by tests, is given to the best of our knowledge.

This does not free the purchaser of carrying out their own inspections and tests in order to determine the suitability of a product for a specific purpose.

Murrplastik accepts no responsibility for the available information being up-to-date, correct or complete. Neither do we accept responsibility for the quality of this information.

Murrplastik accepts no liability for damage caused as a result of using our products.

Murrplastik reserves the right to make technical changes and improvements through constant further development of products and services.

Our General Terms and Conditions apply.

© Murrplastik Systemtechnik GmbH • proID\_64774~20170719~890283~suv\_vg\_ku