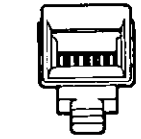
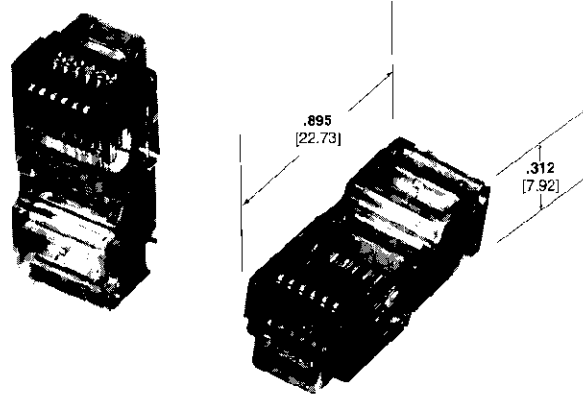


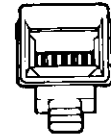
Unshielded Modular Plugs (Continued)

6-Position Long Body

Photo-109865-4



Flat Oval Cable

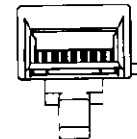
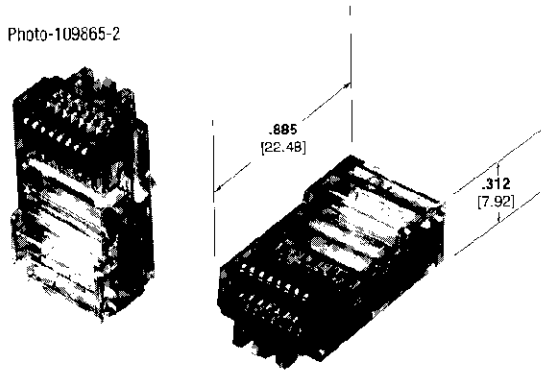


Round Cable

Description	Plug Part Numbers					
	Strip	10,000/Box	1,000/Box	500/Box	100/Box	25/Bag
6/6-Position Long Flat Oval Solid Line	555426-1	N/A	N/A	5-555426-3	5-555426-3	5-555426-4
6/6-Position Long Flat Oval Stranded Line	555176-1	N/A	N/A	5-555176-3	5-555176-3	N/A
6/6-Position Long Round Stranded Line	555177-1	N/A	N/A	5-555177-3	5-555177-3	N/A

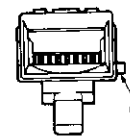
8-Position

Photo-109865-2



Flat Oval Cable

Optional Key



Round Cable

Optional Key

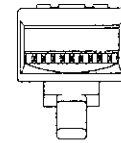
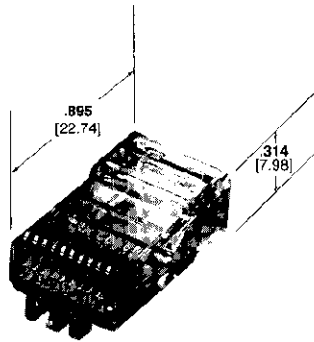
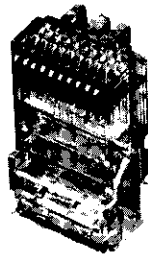
Description	Plug Part Numbers					
	Strip	10,000/Box	1,000/Box	500/Box	100/Box	25/Bag
8/8-Position Flat Oval Solid Line	554720-1	5-554720-1	N/A	5-554720-2	5-554720-3	5-554720-4
8/8-Position Flat Oval Stranded Line	554739-1	5-554739-1	N/A	5-554739-2	5-554739-3	5-554739-4
8/8-Position Round Solid Line	N/A	5-557315-1	N/A	5-557315-2	5-557315-3	5-557315-4
8/8-Position Round Stranded Line	554169-1	5-554169-1	N/A	5-554169-2	5-554169-3	5-554169-4
8/8-Position Small Round Cable Stranded Line	N/A	5-557961-1	N/A	5-557961-2	5-557961-3	N/A
8/8-Position Small Round Cable Solid Line	N/A	N/A	N/A	5-569215-2	N/A	N/A
8/8-Position Flat Oval Small Solid Conductor Line*	N/A	N/A	N/A	5-557972-2	5-557972-3	N/A
8/8-Position Flat Oval Small Stranded Conductor Line*	N/A	N/A	N/A	5-557973-2	5-557973-3	N/A
8/8-Position Keyed Flat Oval Solid Line	555417-1	N/A	N/A	N/A	5-555417-2	5-555417-4
8/8-Position Keyed Flat Oval Stranded Line	554743-1	N/A	N/A	5-554743-2	5-554743-3	5-554743-4
8/8-Position Keyed Round Stranded Line	554170-1	N/A	N/A	5-554170-2	5-554170-3	5-554170-4

*Small conductor products are for .029 - .034 [.737 - .864] OD conductors. Small Conductor product housings are tinted blue to differentiate from Standard Product.
Standard products cover .029 - .039 [.737 - .991] when a small conductor product does not exist.

Unshielded Modular Plugs (Continued)

Photo-109865-3

10-Position

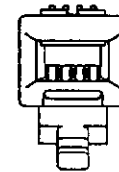
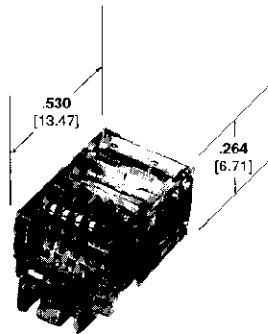
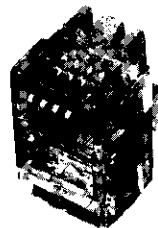


Round Cable

Description	Plug Part Numbers		
	500/Box	100/Box	
10/10-Position Round Stranded Line	5-557963-2	5-557963-3	
10/10-Position Small Round Stranded	5-406938-2	N/A	

4-Position Handset

Photo-109865-7

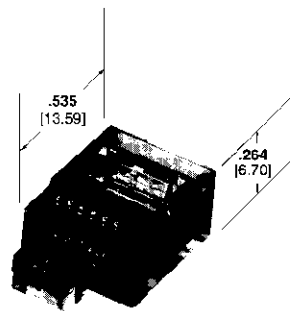
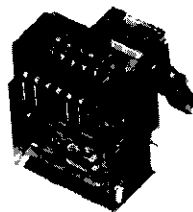


Flat Oval Cable

Description	Plug Part Numbers					
	Strip	10,000/Box	1,000/Box	500/Box	100/Box	25/Bag
4-Position Flat Oval Solid	N/A	N/A	5-556200-2	N/A	N/A	N/A
4-Position Flat Oval Stranded	641334-1	5-641334-1	5-641334-2	N/A	5-641334-3	5-641334-7

6-Position with Offset Latch

Photo-109865-6



Description	Plug Part Numbers					
	Strip	10,000/Box	1,000/Box	500/Box	100/Box	25/Bag
6-Position Round Stranded Offset	555238-1	N/A	N/A	N/A	5-555238-2	5-555238-3
6 Position Flat Oval Solid Offset	555236-1	N/A	5-555236-1	N/A	5-555236-2	5-555236-3
6-Position Flat Oval Stranded Offset	555237-1	N/A	5-555237-1	N/A	5-555237-2	5-555237-3
6-Position Wide Flat Oval Stranded Offset	557345-1	N/A	5-557345-1	N/A	5-557345-2	5-557345-3

Note: Offset latch product conforms to FCC requirements except for latch location.