

UPC-7210 UPC-6210

Smart Retail Panel PC

21.5" Panel PC with 7th Gen Intel® Core™ i3/i5/i7 / Celeron® / Atom® Processor

UPC Series 21.5"

I/O View



UPC Series VIDEO



Fanless



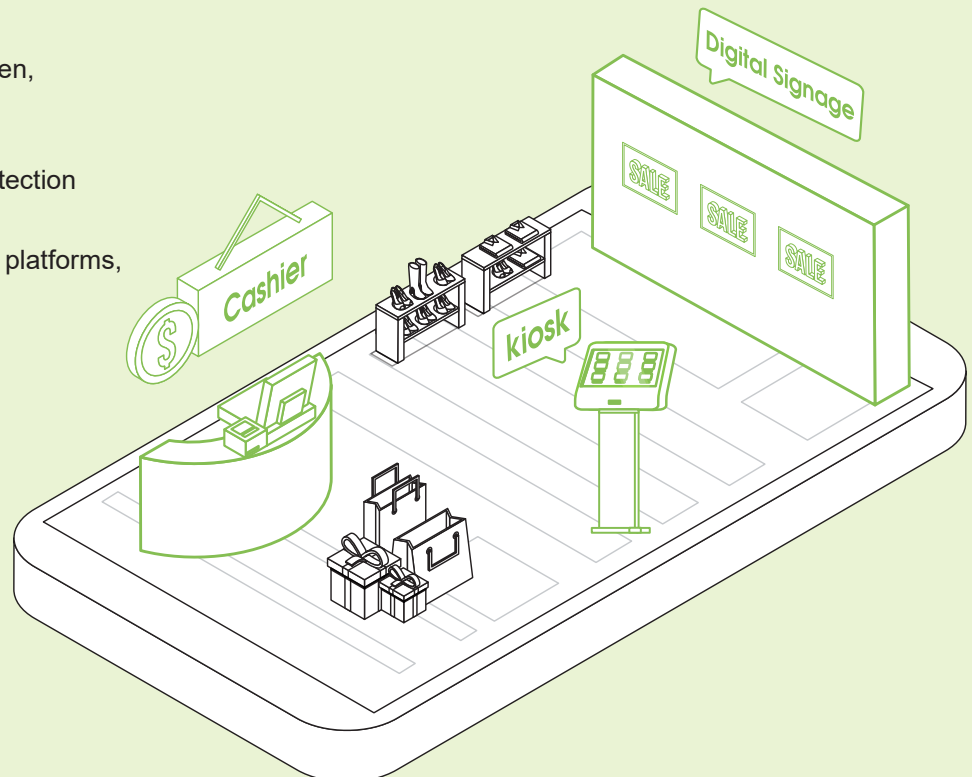
IP65
Front
Panel



Flat Bezel

Features

- 21.5" IPS LCD, 1920 x1080
- Projected capacitive touch screen, supports multi touch
- IP65 front-panel waterproof protection
- Supports a variety of processor platforms, from entry to performance level
- Optional wireless solution



UPC-7210 / UPC-6210

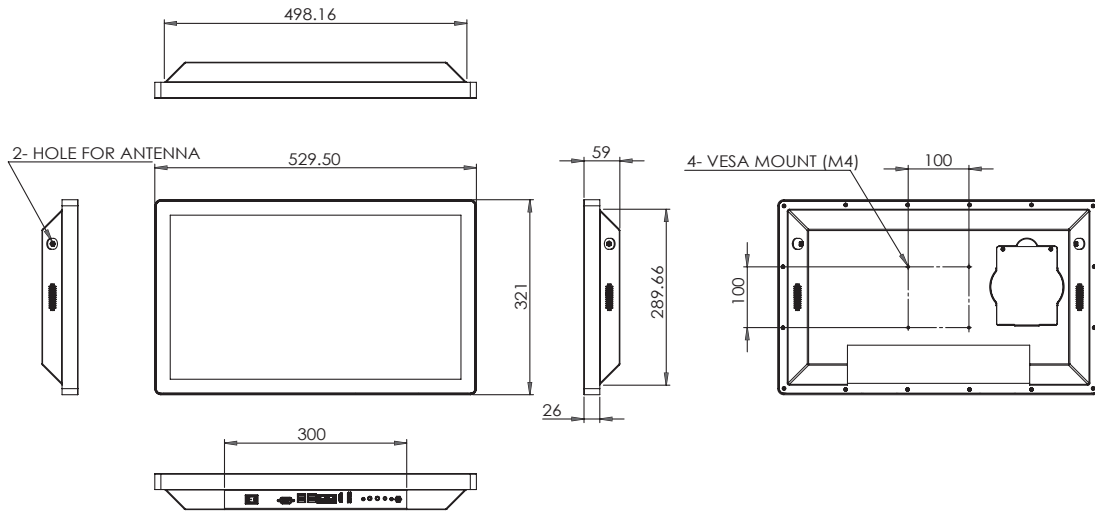
Specifications

Model No.		UPC-7210	UPC-6210
Display & Touch Screen	Display Size	21.5" TFT-LCD	
	Max. Resolution	1920 x 1080	
	Luminance (cd/m2)	250	
	Contrast	1:1000	
	Max. Color	16.2M	
	View Angle (H/V)	178/178	
	Backlight Lifetime(hrs)	30000	
	Touch Type	Projected capacitive	
	Touch Interface	USB	
	Light Transmission (%)	89	
	Point of touch	10	
System	Processor	Intel® i7 7600U (2.8GHz~3.9GHz, 4MB cache) UPC-7210 -I76 Intel® i5 7300U (2.6GHz~3.5GHz, 3MB cache) UPC-7210 -I73 Intel® i3 7100U (2.4GHz, 3MB cache) UPC-7210 -I71	Intel® Celeron J1900 (2.0GHz~2.4GHz, 2MB cache) UPC-6210 -J19 Intel® Atom® E3825 (1.33GHz, 1MB cache) UPC-6210 -I25
	Memory	Max. 32GB, default 4GB DDR4	Max. 32GB, and default 4GB DDR3L
	Thermal Design	Fanless	
	Membrane Control	None	
	Built-in Speaker/MIC	2x 2W 4Ω Speakers	
I/O Interface	USB 3.0	4	1
	USB 2.0	0	1
	RS-232/422/485 Selectable in BIOS	1	
	RS-232	0	
	LAN	2 x GbE	1 x GbE
	Additional Graphics	1x HDMI 1x DP	1x VGA 1x DP
	Audio	1x 3.5 mm phone jack for line -out	
	Digital I/O	None	
	Power Connector	Power jack	
	Power Button	Rock switch	
	Mechanical	Dimensions (mm)	529 x 321 x 59
Net Weight (kg)		9	
Expansion	Internal Expansion Bus	1x miniPCI-E Full-size, mSATA supports	1x miniPCI-E Full-size mSATA supports 1x miniPCI-E Full-size 1x miniPCI-E Half-size
	Expansion Slot	None	
	Wireless	optional	
Storage Space	HDD	1x 2.5" HDD space default 64GB SSD	
	Removable	None	
Power	Power Input Range	12V/24VDC	12V DC
Construction	Chassis Material	AL 5052	
	Color (Front/Back)	Black/Black	
	IP Rating	Front Side IP65	
	Mounting	VESA 100x100	
Environmental	Operating Temperature	0°C~50°C	
	Storage Temperature	-20°C~70°C	
	Storage Humidity	10%~90% @40°C (non-condensing)	
	Certification	CE/FCC Class-B +LVD	
	Supported Operating Systems	Windows 10, 64bits, Linux Kernel 4+	Windows 7, Windows 10, 32/64bits, Linux Kernel 3+

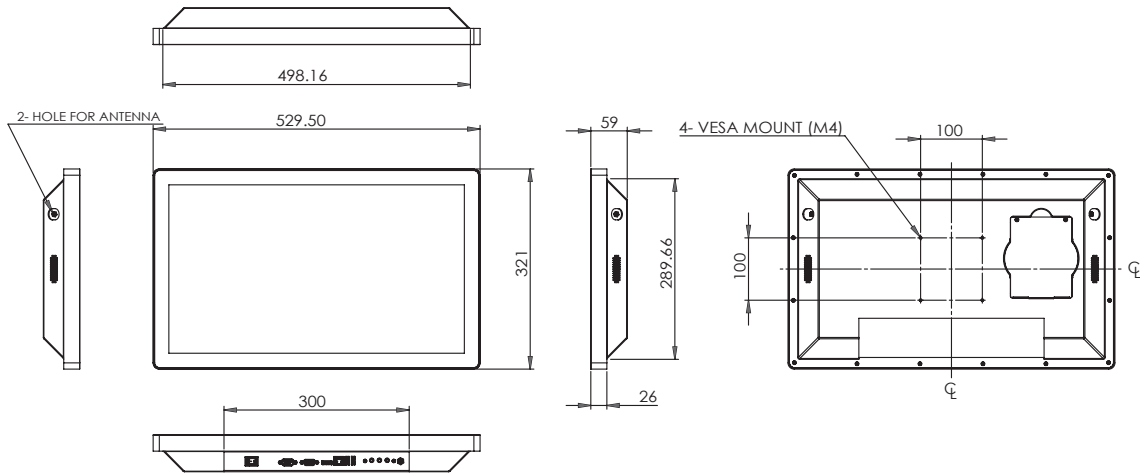
UPC-7210 / UPC-6210

Dimensions

UPC-7210



UPC-6210



Ordering Information

UPC-7210 -I76	21.5" Fanless Panel PC with IB917AF-7600, 7th Gen Intel® Core™ i7 7600U, Projected capacitive touch screen, 4GB DDR4 memory, 64G SSD, 12V or 24V DC input, with 12VDC adaptor
UPC-7210 -I73	21.5" Fanless Panel PC with IB917AF-7300, 7th Gen Intel® Core™ i5 7300U, Projected capacitive touch screen, 4GB DDR4 memory, 64G SSD, 12V or 24V DC input, with 12VDC adaptor
UPC-7210 -I71	21.5" Fanless Panel PC with IB917AF-7100, 7th Gen Intel® Core™ i3 7100U, Projected capacitive touch screen, 4GB DDR4 memory, 64G SSD, 12V or 24V DC input, with 12VDC adaptor
UPC-6210 -J19	21.5" Fanless Panel PC with IB898-J19D1, Intel® Celeron J1900, Projected capacitive touch screen, 4GB DDR3L memory, 64G SSD, 12V DC input, with 12VDC adaptor
UPC-6210 -I25	21.5" Fanless Panel PC with IB898-I25, Intel® Atom® Processor E3825, Projected capacitive touch screen, 4GB DDR3L memory, 64G SSD, 12V DC input, with 12VDC adaptor