

# PC 175/150 HT



Sample image

**Order symbol:** PC 175/150 HT

**Product nbr:** 6011923

UL Code: 6411923

UL Name: UL PC 175/150HT

**Description:** Enclosure. PC

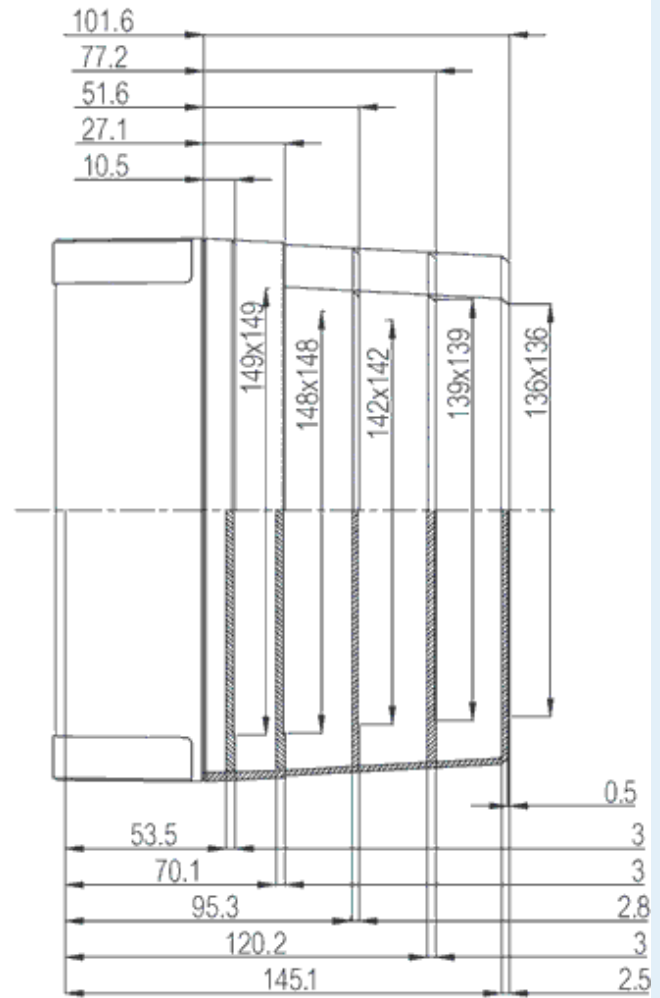
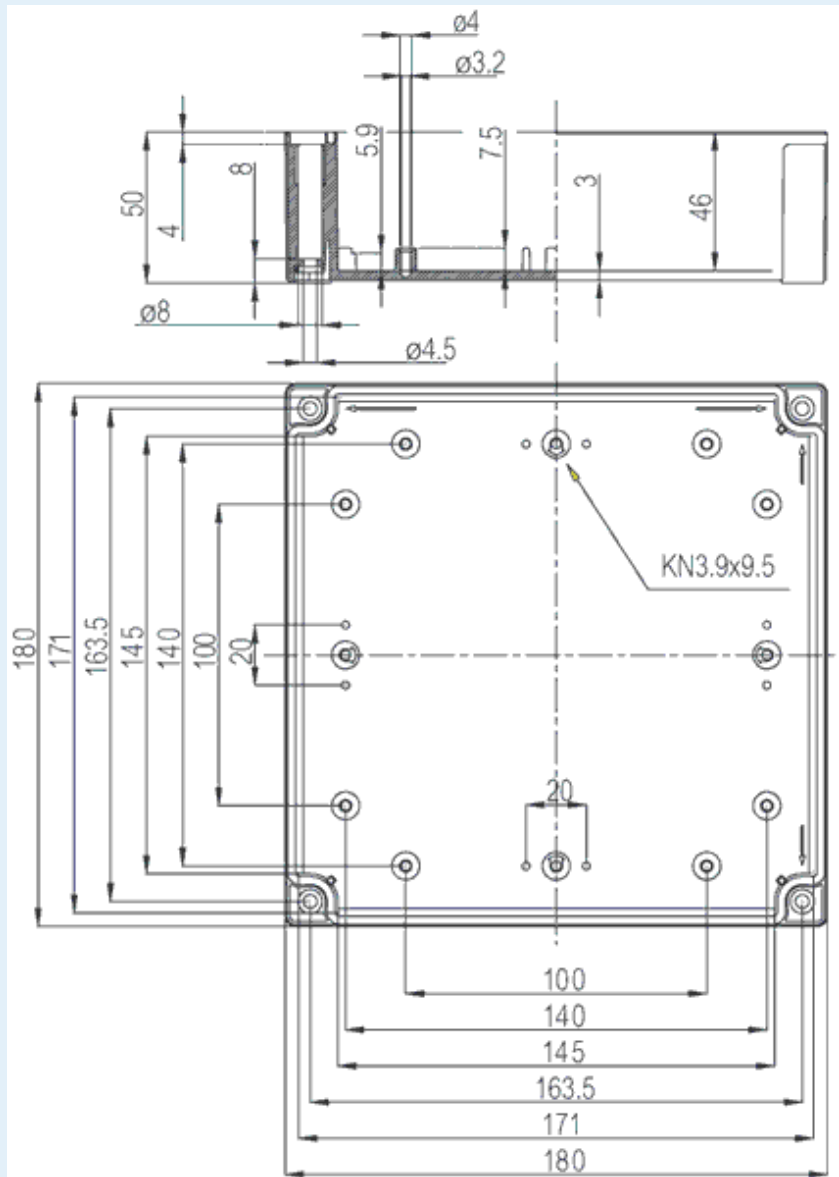
**Remarks:** Smoked transparent cover

**Including:** Base with TPE gasket, screws for mounting plate/DIN-rail and cover with polyamide cover screws.

**EAN:** 6418074052223

**El. number:**

- Finland: 3435206
- Denmark: 8212027679
- Sweden: 6011923



**Dimensions:**

|       | Height | Width | Depth |
|-------|--------|-------|-------|
| mm:   | 180    | 180   | 150   |
| inch: | 7.09   | 7.09  | 5.91  |

**Materials:**

|                  |                      |
|------------------|----------------------|
| Material:        | Polycarbonate        |
| Base colour:     | RAL 7035 -light grey |
| Cover colour:    | Clear transparent    |
| Gasket material: | Polyurethane         |

**Temperatures:**

|                               |             |
|-------------------------------|-------------|
| Temperature °C (short term):: | -40 ... 120 |
| Temperature °C (continuous):  | -40 ... 80  |
| Temperature °F (short term):  | -40 ... 250 |
| Temperature °F (continuous):  | -40 ... 175 |

**Accessories:**

|              |  |
|--------------|--|
| MIV 175      | Back Panel (Galvanized steel). for enclosures: (148 x 148 x 1) |
| FP A 175/180 | Front panel (Aluminum). for enclosures: (170 x 162 x 1)        |
| HFP 180      | Front panel hinge series                                       |
| MIN 15       | DIN-15 Mounting rail. for enclosures: (150 x 15 x 1)           |
| MIV 15       | DIN-35 Mounting rail. for enclosures: (150 x 35 x 1)           |
| FP 22046     | Mounting foot kit (4 pcs)                                      |

**Rating:**

|  |                   |
|--|-------------------|
| Ingress protection (EN 60529):         | IP66; IP67;       |
| Impact Resistance (EN 62262):          | IK08;             |
| Electrical insulation:                 | Totally insulated |
| Halogen free (DIN/VDE 0472, Part 815): | 1                 |
| UV resistance:                         | UL 508            |
| Flammability Rating:                   | UL 746C 5"        |

Glow Wire Test (IEC 695-2-1) °C:

960 °C

NEMA Class

**Certificates:**

Certificate FI 40847