

# PC 150/150 XHG



Sample image

**Order symbol:** PC 150/150 XHG

**Product nbr:** 6013336

**Description:** Enclosure. PC

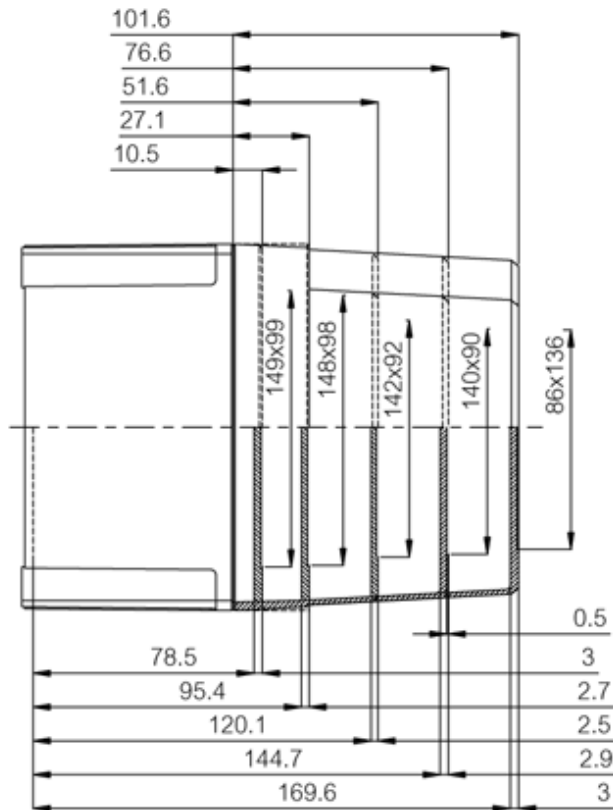
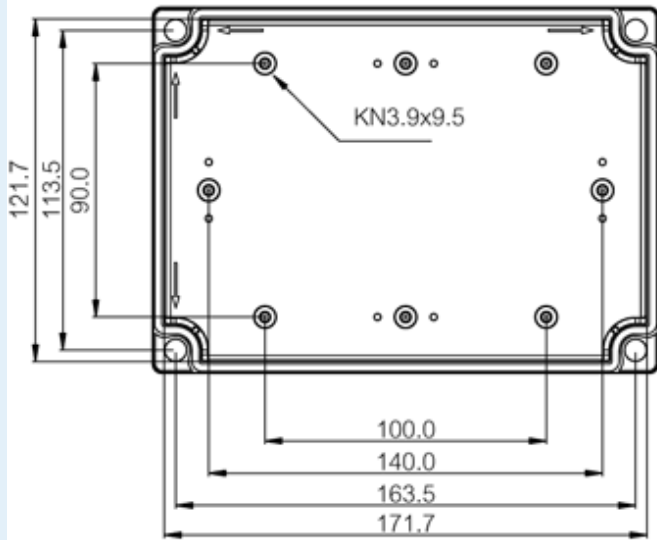
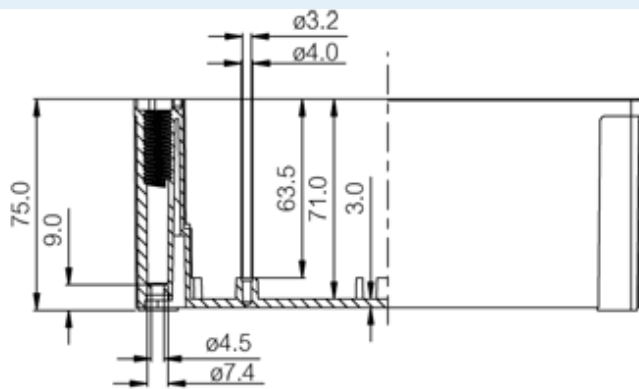
**Remarks:** Opaque cover

**EAN:** 6418074061249

**El. number:**

- Finland: 3435610
- Denmark: 8212027912
- Sweden:

**Including:** Base with PUR gasket. screws for mounting plate/DIN-rail and cover with polyamide cover screws.



**Dimensions:**                      **Height**                      **Width**                      **Depth**

mm:                                      180                                      130                                      150

inch:

**Materials:**

Material:                                      Polycarbonate  
 Base colour:                                      RAL 7035 -light grey  
 Cover colour:                                      RAL 7035 -light grey  
 Gasket material:                                      Polyurethane

**Temperatures:**

Temperature °C (short term)::                      -40 ... 120  
 Temperature °C (continuous):                      -40 ... 80  
 Temperature °F (short term):                      -40 ... 250  
 Temperature °F (continuous):                      -40 ... 175

**Accessories:**

- MIV 10                      DIN-35 Mounting rail. for enclosures: (100 x 35 x 1)
- FP A 150/180                      Front panel (Aluminum). for enclosures: (170 x 112 x 1)
- HFP 180                      Front panel hinge series
- MIV 150                      Back Panel (Galvanized steel). for enclosures: (148 x 98 x 1)
- MIN 15                      DIN-15 Mounting rail. for enclosures: (150 x 15 x 1)
- MIN 10                      DIN-15 Mounting rail. for enclosures: (100 x 15 x 1)
- MIV 15                      DIN-35 Mounting rail. for enclosures: (150 x 35 x 1)
- FP 22046                      Mounting foot kit (4 pcs)

**Rating:**

Ingress protection (EN 60529):                      IP66; IP67;  
 Impact Resistance (EN 62262):                      IK08;  
 Electrical insulation:                      Totally insulated  
 Halogen free (DIN/VDE 0472, Part 815):                      1  
 UV resistance:                      UL 508

Flammability Rating: UL 746C 5"

Glow Wire Test (IEC 695-2-1) °C: 960 °C

NEMA Class

**Certificates:**

Certificate FI 40847