

PC 100/100 HT



Sample image

Order symbol: PC 100/100 HT

Product nbr: 6011903

UL Code: 6411903

UL Name: UL PC 100/100HT

Description: Enclosure. PC

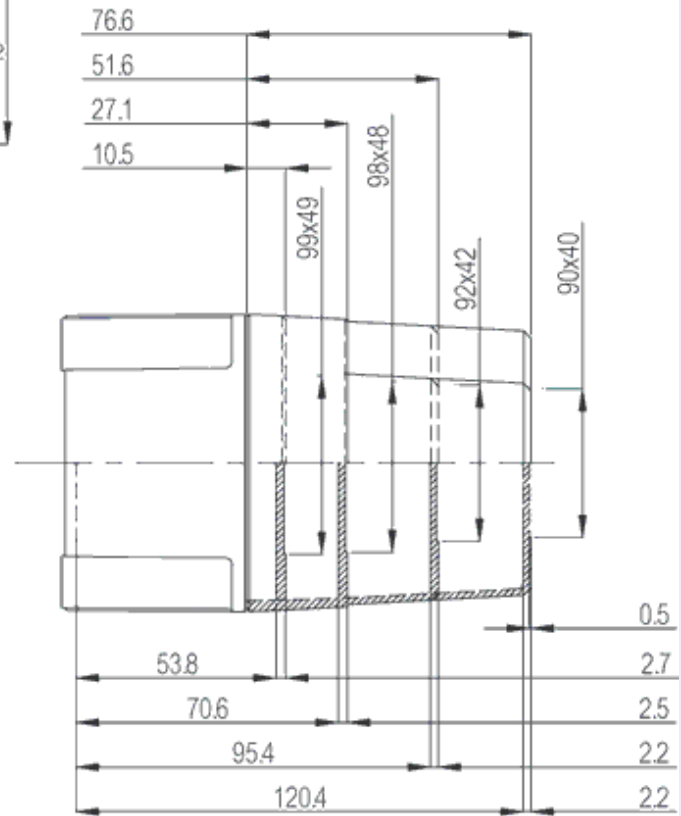
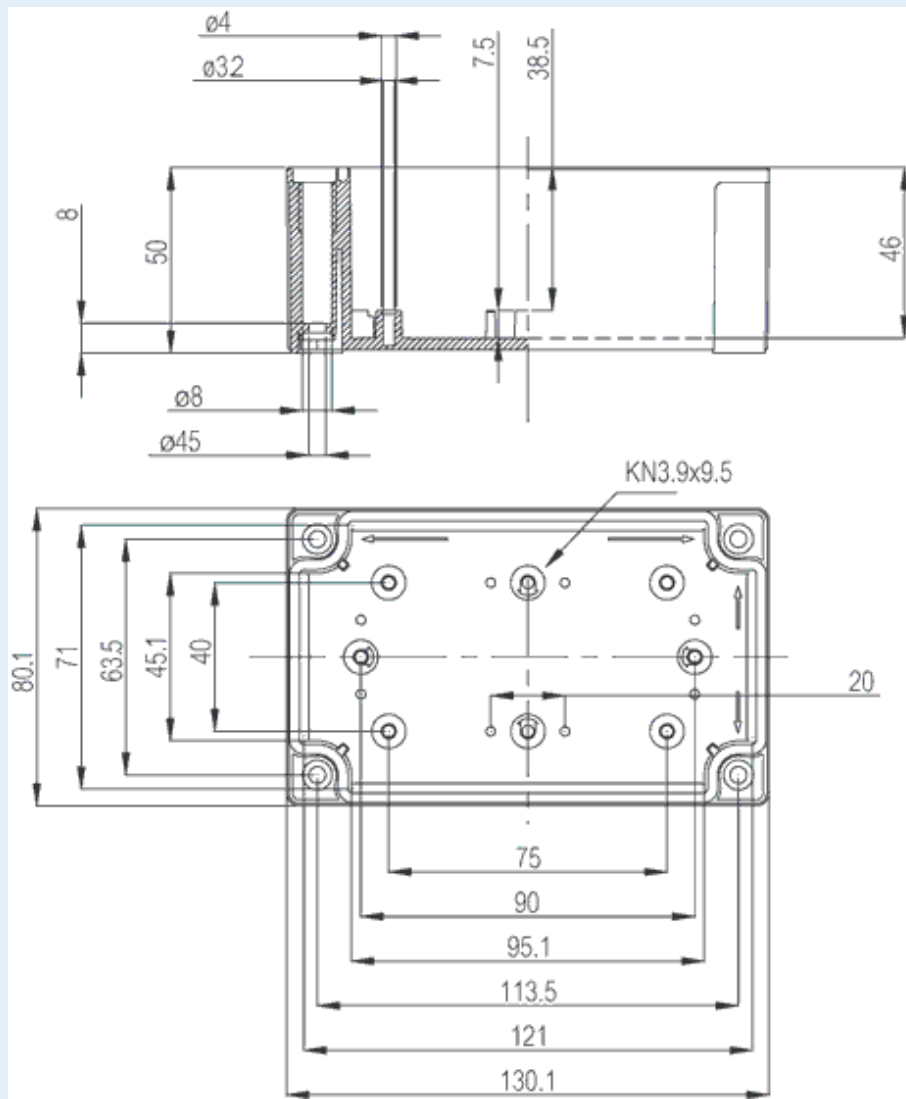
Remarks: Smoked transparent cover

Including: Base with TPE gasket, screws for mounting plate/DIN-rail and cover with polyamide cover screws.

EAN: 6418074022295

El. number:

- Finland: 3420423
- Denmark: 8212022344
- Sweden: 2535615



Dimensions: **Height** **Width** **Depth**

mm: 130 80 100
 inch:

Materials:

Material: Polycarbonate
 Base colour: RAL 7035 -light grey
 Cover colour: Clear transparent
 Gasket material: Polyurethane

Temperatures:

Temperature °C (short term):: -40 ... 120
 Temperature °C (continuous): -40 ... 80
 Temperature °F (short term): -40 ... 250
 Temperature °F (continuous): -40 ... 175

Accessories:

- MIV 10 DIN-35 Mounting rail. for enclosures: (100 x 35 x 1)
- MIV 5 DIN-35 Mounting rail. for enclosures: (50 x 35 x 1)
- HFP 130 Front panel hinge series for FP A 100-125
- MIN 5 DIN-15 Mounting rail. for enclosures: (50 x 15 x 1)
- MIV 100 Back Panel (Galvanized steel). for enclosures: (98 x 48 x 1)
- MIN 10 DIN-15 Mounting rail. for enclosures: (100 x 15 x 1)
- FP 22046 Mounting foot kit (4 pcs)
- FP A 100/130 Front panel (Aluminum). for enclosures: (120 x 62 x 1)

Rating:

Ingress protection (EN 60529): IP66; IP67;
 Impact Resistance (EN 62262): IK08;
 Electrical insulation: Totally insulated
 Halogen free (DIN/VDE 0472, Part 815): 1
 UV resistance: UL 508

Flammability Rating: UL 746C 5"

Glow Wire Test (IEC 695-2-1) °C: 960 °C

NEMA Class

Certificates:

Certificate FI 40847