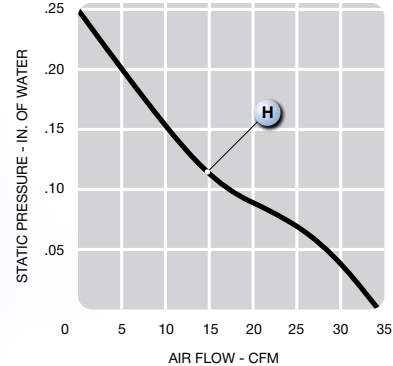
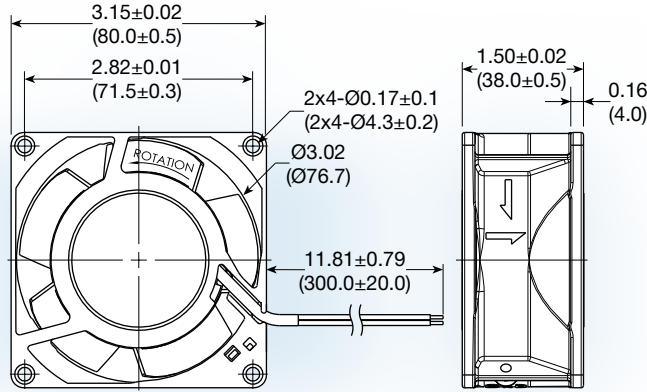


UF80AM series



(80 x 80 x 38 mm)

3.15 x 3.15 x 1.50 inches

Features: high temp; -40°C ~+90°C, operating temperature range

Operating Voltage: 115 or 230 VAC

Construction: aluminium die cast frame; metal impeller

Bearing option: ball bearing with high temp lubricant

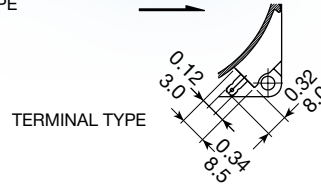
Motor: shaded pole - Class F insulation

Air Flow: air exhaust over struts

Connection: terminal or 22 AWG lead wire

Protection: impedance

Air Flow →



Model No.	Rated Voltage V	Freq. HZ	Input Power W	Rated Cur. A	Speed RPM	Air Volume		Max. Sta tic Pressure (H ₂ O)		Sound Noise dBa	Wt . g
						M ³ /Min.	CFM	MM	INCH		
UF80AM12B-H	115	60	11	0.13	3,250	0.96	34	6.6	0.26	40	390
UF80AM23B-H	230	60	11	0.07	3,250	0.96	34	6.6	0.26	40	390

