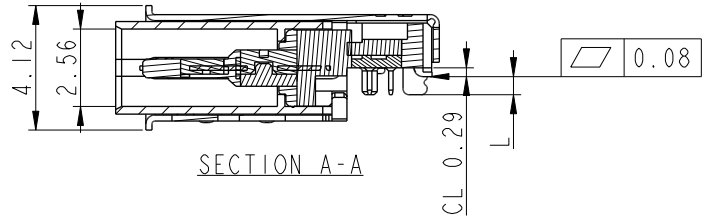
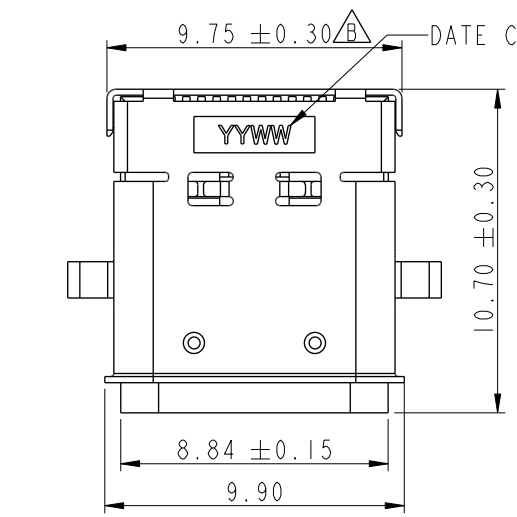


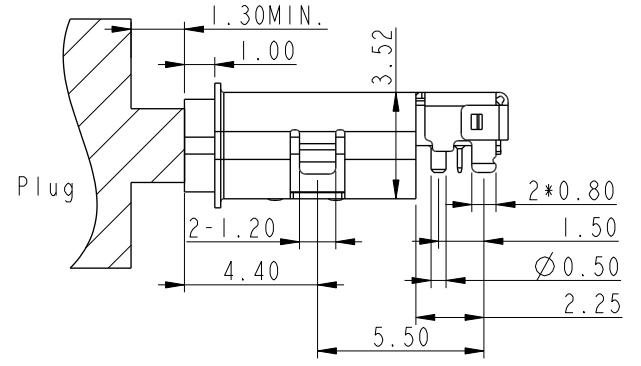
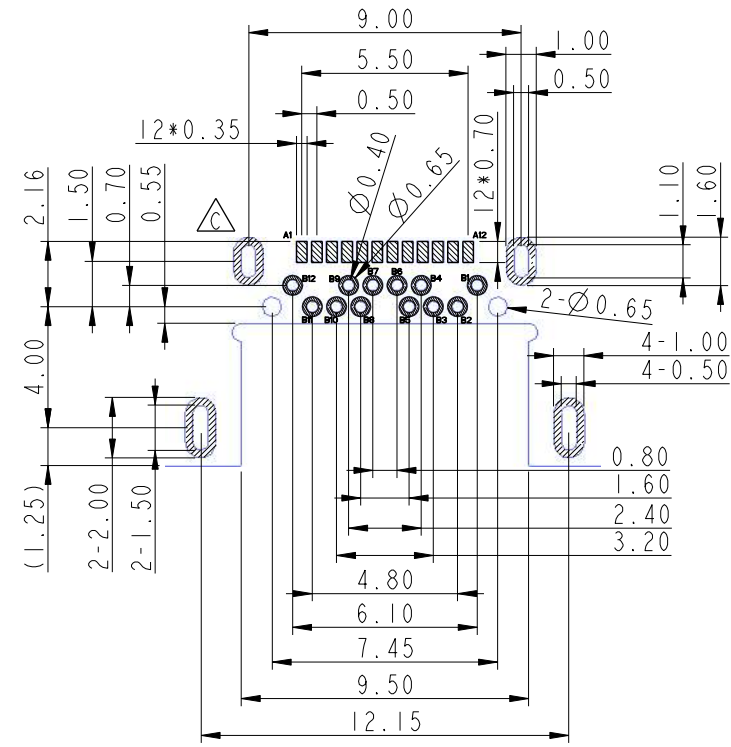
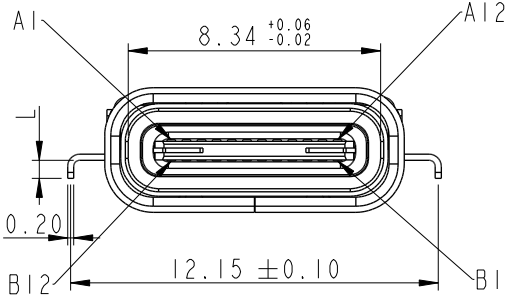
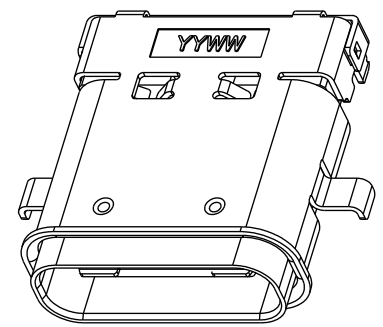
THIS DOCUMENT IS SUBJECT TO CHANGE WITHOUT NOTICE. IT IS CONFIDENTIAL AND A PROPERTY OF Amphenol LTW. DISCLOSURE TO THIRD PARTY HAS TO BE AUTHORIZED BY Amphenol LTW.

REV.	ECN NO.	DATE	SIGN	DESCRIPTION
A	Initial Released	2020/08/25	Ruru	Old Item No. UC-3IPFFH-QF700X
B	C201950	2020/12/10	Cynthia	$\triangle B$ X1
C	C210552	2021/04/07	Ruru	$\triangle C$ X2



UC-00PFFH-QF700X

- 1: L=0.6mm
- 2: L=1.2mm



Pin	Signal Name	Mating Sequence	Pin	Signal Name	Mating Sequence
A1	GND	First	B12	GND	First
A2	SSTXp1	Second	B11	SSRXp1	Second
A3	SSTXn1	Second	B10	SSRXn1	Second
A4	Vbus	First	B9	Vbus	First
A5	CC1	Second	B8	SBU2	Second
A6	Dp1	Second	B7	Dn2	Second
A7	Dn1	Second	B6	Dp2	Second
A8	SBU1	Second	B5	CC2	Second
A9	Vbus	First	B4	Vbus	First
A10	SSRXn2	Second	B3	SSTXn2	Second
A11	SSRXp2	Second	B2	SSTXp2	Second
A12	GND	First	B1	GND	First
SHELL		GND	SHELL		GND

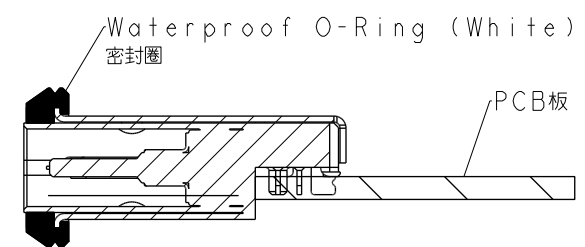
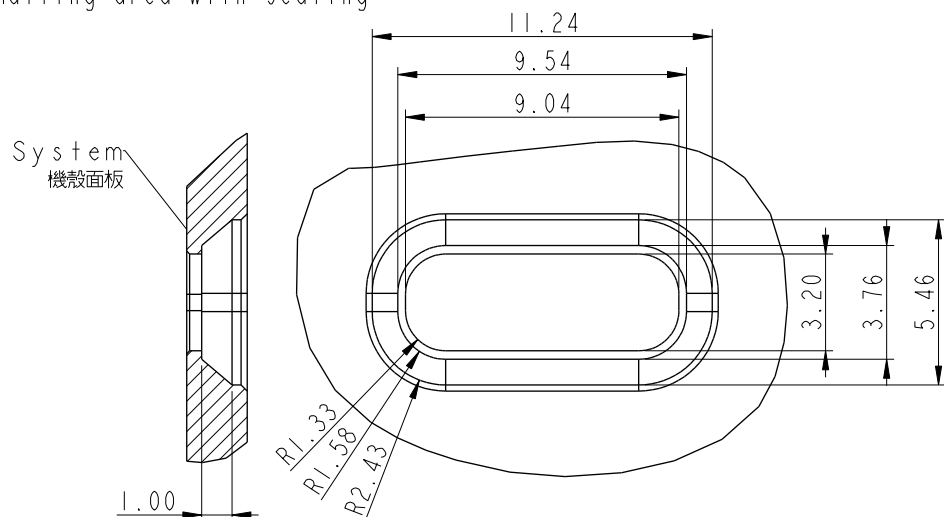
UNIT: mm		
TOLERANCE		
.X	±0.3	
.XX	±0.2	
.XXX	±0.1	
ANGLES	±3°	

TITLE USB, C TYPE, FRONT FASTENED F, F, SMT+DIP, QUICK			
SCALE 4:1	SIZE A4	SHEET 1	OF 3
REV. C	WC-REV. A.3	QC: Inspection item	

Amphenol LTW
安費諾亮泰企業股份有限公司

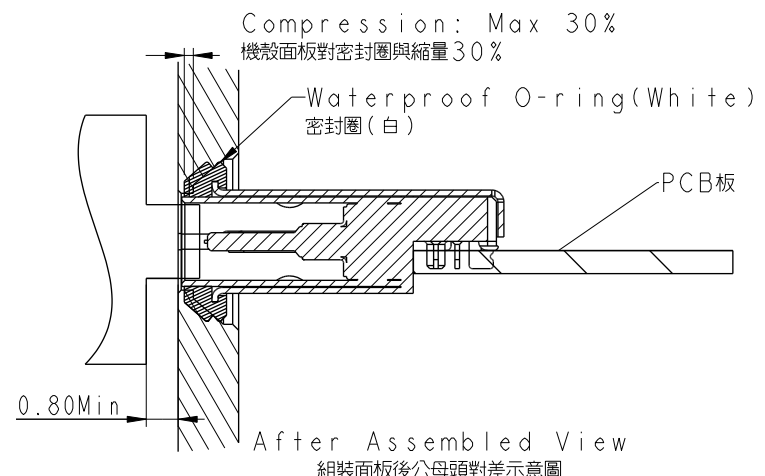
ITEM NO.	DRAWN BY	DATE
DWG NO. UC-00PFFH-QF700X	Ruru	2020-08-25
CUSTOMER	CHECKED BY	DATE
ALTW	Rita	2020-08-25
	APPROVED BY	DATE
	Max	2020-08-25

Recommended open dimensions of case.
Tolerance: $\pm 0.03\text{mm}$
Matting area with sealing

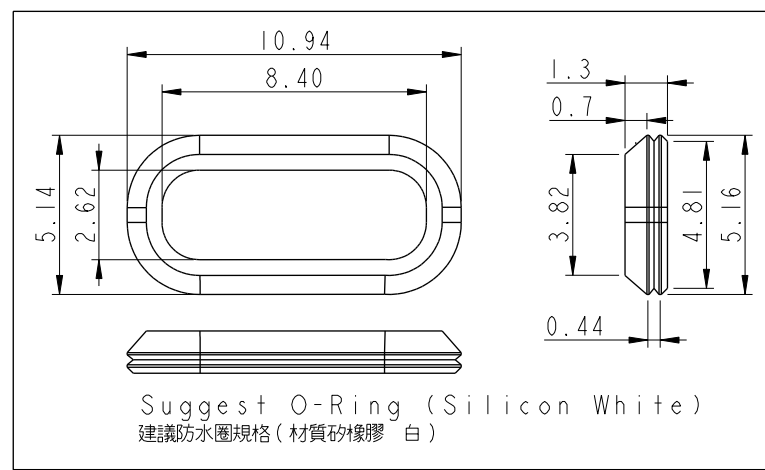


Assembly Way
組裝方式，左右方向裝配

- Note:
- * IP: IP67
 - * Connector: Thermoplastic
 - * Pin: Copper Alloy, 30u" Gold
 - * Shield: Stainless (Inner)
Stainless & Nickel Plating (Out)
 - * Operating Temperature: -40°C To $+85^{\circ}\text{C}$
 - * All specifications are in compliance with the USB Association's specifications.



After Assembled View
組裝面板後公母頭對差示意圖



Suggest O-Ring (Silicon White)
建議防水圈規格 (材質矽橡膠 白)

UNIT: mm		
TOLERANCE	± 0.3	
.X	± 0.2	
.XX	± 0.1	
.XXX	± 0.1	
ANGLES	$\pm 3^{\circ}$	

TITLE USB, C TYPE, FRONT FASTENED F, F, SMT+DIP, QUICK			
SCALE 4:1	SIZE A4	SHEET 2 OF 3	
REV. C	WC-REV. A.3	QC: Inspection item	

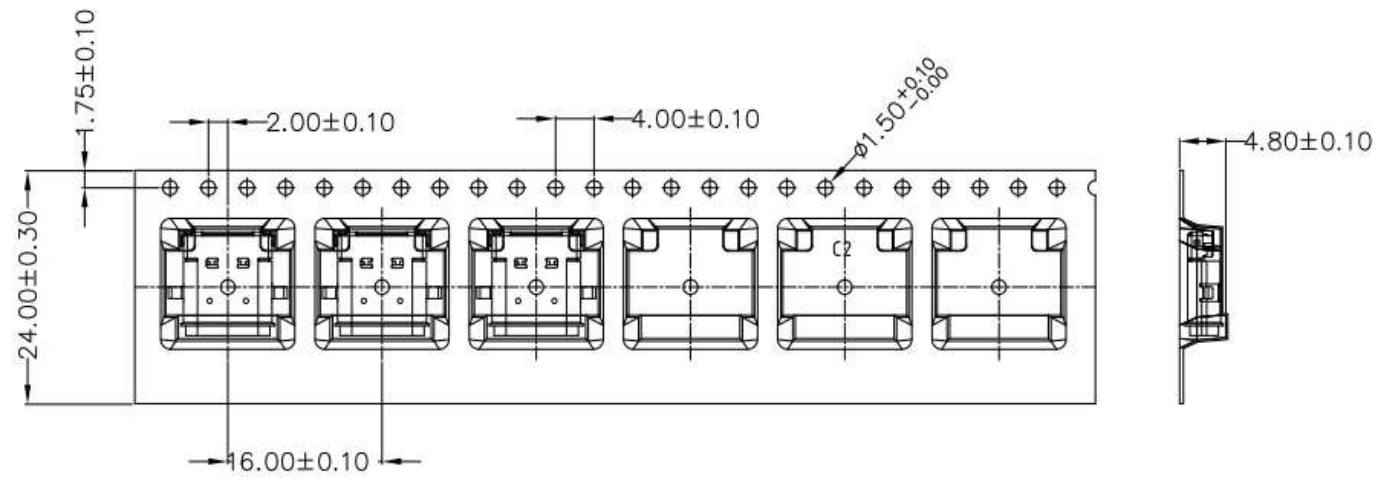
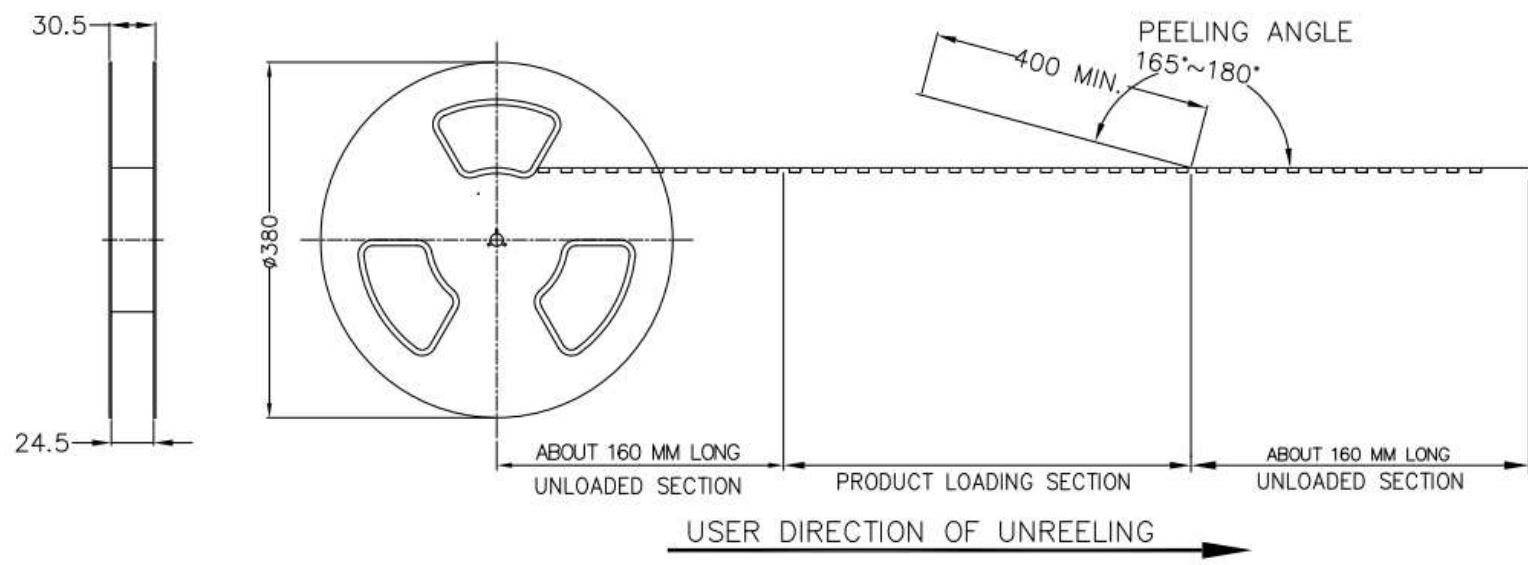
Amphenol LTW
安費諾亮泰企業股份有限公司

ITEM NO	DWG NO UC-00PFFH-QF700X	CUSTOMER ALTW	DRAWN BY Ruru	CHECKED BY Rita	APPROVED BY Max
---------	----------------------------	------------------	------------------	--------------------	--------------------

DATE 2020-08-25	DATE 2020-08-25	DATE 2020-08-25
--------------------	--------------------	--------------------

THIS DOCUMENT IS SUBJECT TO CHANGE WITHOUT NOTICE. IT IS CONFIDENTIAL AND A PROPERTY OF Amphenol LTW. DISCLOSURE TO THIRD PARTY HAS TO BE AUTHORIZED BY Amphenol LTW.

THIS DOCUMENT IS SUBJECT TO CHANGE WITHOUT NOTICE. IT IS CONFIDENTIAL AND A PROPERTY OF AMPHENOL LTW. DISCLOSURE TO THIRD PARTY HAS TO BE AUTHORIZED BY AMPHENOL LTW.



* 1K PCS (Connector) In A Tape&Reel
 5 PCS Tape&Reel In A Carton
 (5K PCS/Cartron)

UNIT: mm		
TOLERANCE		
.X	±0.3	
.XX	±0.2	
.XXX	±0.1	
ANGLES	±3°	

TITLE USB, C TYPE, FRONT FASTENED F, F, SMT+DIP, QUICK			
SCALE	SIZE	SHEET	OF
4:1	A4	3	3
REV.	WC-REV.	◎: Inspection item	
C	A.3		

Amphenol LTW
 安費諾亮泰企業股份有限公司

ITEM NO	DRAWN BY	DATE
	Ruru	2020-08-25
DWG NO	CHECKED BY	DATE
UC-00PFFH-QF700X	Rita	2020-08-25
CUSTOMER	APPROVED BY	DATE
ALTW	Max	2020-08-25