



# M5StickC ENV Hat (DHT12, BMP280, BMM150)

SKU: U053

**Hat ENV** It is able to detect the temperature, humidity, air pressure and magnetic field. This product relates via I2C protocol which allows you to obtain 4 types of environment data thru just 2pins, together with the tiny body, makes it a powerful application for environment data collecting.

## Product Feature

- temperature:
  - Range: -20 ~ 60 °C
  - Error:  $\pm 0.2^{\circ}\text{C}$
- Humidity:
  - Range: 20 ~ 95 %RH
  - Error: 0.1%
- Air pressure:
  - Range: 300 ~ 1100hPa
  - Error:  $\pm 1\text{hPa}$

Typical Magnetic Field :

-  $\pm 1300\mu\text{T}$  (x, y-axis) ,  $\pm 2500\mu\text{T}$  (z-axis)  
- magnetic field resolution:  $0.3\mu\text{T}$

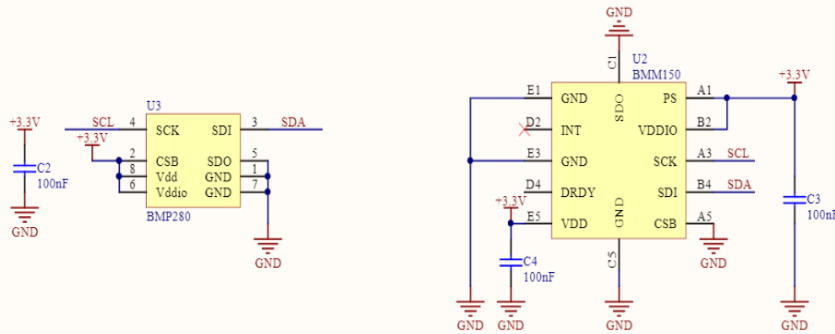
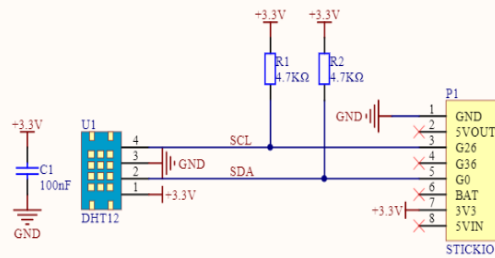
# Package Includes

- 1x ENV Hat

# Application

- Weather Station
- Compass

# Schematic



# Example

- Arduino

## Pin Map

M5StickC	GPIO0	GPIO26	5V	GND
HAT ENV	SDA	SCL	5V	GND



<https://m5stack.com/collections/m5-unit/products/m5stickc-env-hat/12-99-19>