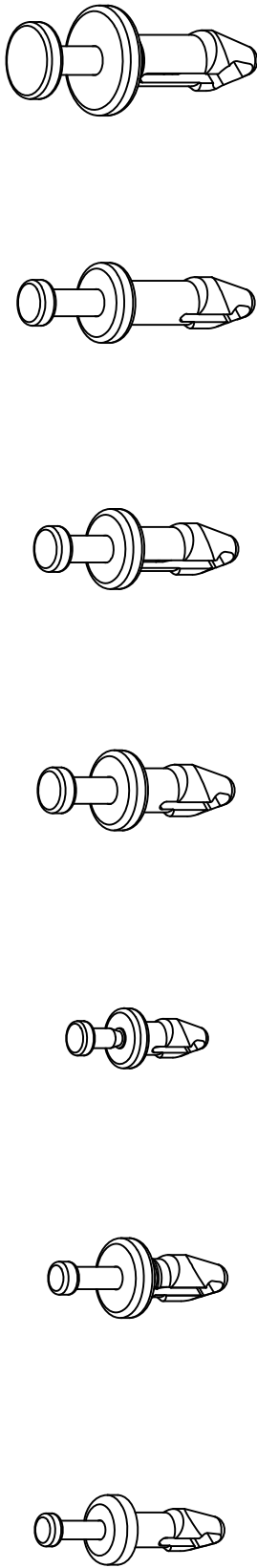
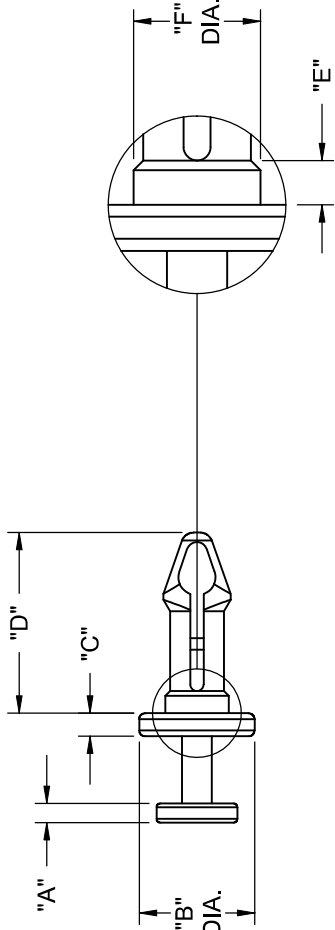


PART NUMBER	HOLE DIAMETER	PANEL RANGE	"A"±.010	"B"±.010	"C"±.010	"D"±.010	"E" REF	"F" REF
TRM-1	.097-.103 [2.5-2.6]	.160-.180 [4.1-4.6]	.040 [1]	.190 [4.8]		.345 [8.8]		
TRM-2	.106-.112 [2.7-2.8]	.080-.105 [2-2.7]				.300 [7.6]		
TRM-3		.105-.130 [2.7-3.3]				.320 [8.1]		
TRM-4	.122-.128 [3.1-3.3]	.130-.155 [3.3-3.9]	.050 [1.3]	.218 [5.5]	.060 [1.5]	.345 [7.6]	N/A	N/A
TRM-5		.155-.180 [3.9-4.6]				.370 [9.4]		
TRM-6		.240-.265 [6.1-6.7]				.455 [11.6]		
TRM-7	.144-.154 [3.7-3.9]	.265-.290 [6.7-7.4]		.300 [7.6]		.470 [11.9]	.045 [1.1]	.165 [4.2]



TRM-1 TRM-2 TRM-3 TRM-4 TRM-5 TRM-6 TRM-7



- NOTES:
 1. MATERIAL: HEAT STABILIZED NYLON 6/6
 UL 94 V-2, (RMS-47).
 2. COLOR: BLACK
 3. ALTERNATE UNITS FOR REFERENCE ONLY.

REV.		DESCRIPTION	ENGR.	DATE
B		SEE CO.200311	SK	01/21/09
A		RELEASED FOR PRODUCTION	SK	10/27/08

TITLE: TOUGH RIVET MINI			
CREATED USING SOLIDWORKS	FILE #: TRM	DWN: R.D.G.	APP: R.D.G.
TOLERANCES UNLESS NOTED .XX±.010 .XXX±.005 FRAC: ±1/64 ANG: ±1°	SHEET: 1 OF 1	SHEET SIZE: A	CHKD: D.Z.
RE: RICHCO, INC.	RICHCO, INC.	ENG@RICHCO-INC.COM	(773) 539-4060

DWG IN IN [MM]	FINAL

PART #	PRINT TYPE
SEE TABLE	CA